

## Model

Designation	<b>NF10FX</b>	<b>220V/50Hz 1~220V/60Hz 1~</b>	Sales code:	<b>105G6846</b>
-------------	---------------	---------------------------------	-------------	-----------------

## Compressor design

Oil type	Polyolester	Refrigerant(s)	<b>R134a</b>
Oil viscosity	32cST	Displacement	10,09cm <sup>3</sup> / 0,62cu.in
Oil quantity	298cm <sup>3</sup> / 10,1fl.oz	Compressors on pallet	80
Refr. charge - tech. limit	460g / 16,2oz		
Free gas volume comp.	2360cm <sup>3</sup> / 79,8fl.oz		
Weight	10,5kg / 23,1lbs		
Motor protection	external		
Winding resistance main	4,5Ω (at 25°C)		
Winding resistance aux	12,8Ω (at 25°C)		
Max. winding temp.	125°C / 257°F		
Max. discharge temp.	110°C / 230°F		



## General - Configurations with NF10FX

	<b>Conf. 1</b>	<b>Conf. 2</b>	<b>Conf. 3</b>	<b>Conf. 4</b>
Motorconfiguration	CSIR	CSIR	CSIR	CSIR
Power supply (nominal)	220-230V/50Hz	220-230V/50Hz	208-230V/60Hz	208-230V/60Hz
Number of phases	1	1	1	1
Voltage range	198-242V	198-242V	198-242V	198-242V
Approvals	UL, VDE, CCC, EAC	UL, VDE, CCC, EAC	UL, VDE, CCC, EAC	UL, VDE, CCC, EAC
Starting torque	HST	HST	HST	HST
Note	- / -			

## Applications with NF10FX

	<b>Conf. 1</b>	<b>Conf. 2</b>	<b>Conf. 3</b>	<b>Conf. 4</b>
Refrigerant	R134a	R513A	R134a	R513A
Application	LBP+MBP	LBP+MBP	LBP+MBP	LBP+MBP
System cooling	fan 1,5m/s	fan 1,5m/s	fan 3m/s	fan 3m/s
Hot gas defrost	OK	OK	OK	OK
Long interval pull down	OK	OK	OK	OK

## Electrical data - Configurations with NF10FX

	<b>Conf. 1</b>	<b>Conf. 2</b>	<b>Conf. 3</b>	<b>Conf. 4</b>
Starting device type	relay	relay	relay	relay
Run capacitor	- / -	- / -	- / -	- / -
Start capacitor	125μF	125μF	125μF	125μF
LRA (locked rotor amps / 4s)	20A	20A	19,4A	19,4A
RLA (rated load amps / 1s)	3,7A	3,7A	3,24A	3,24A
Cut in current	20A	20A	19,4A	19,4A

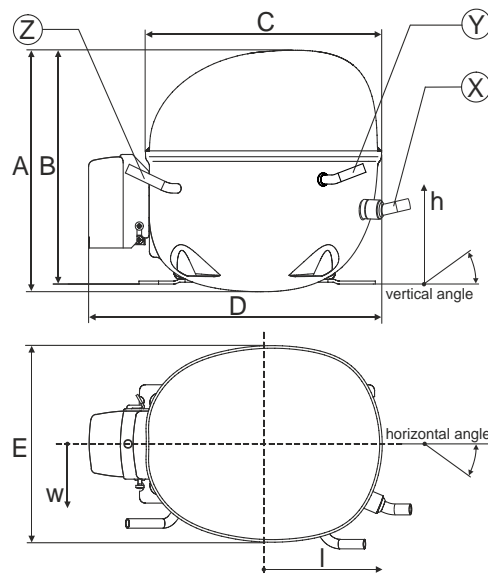
## Model

Designation	<b>NF10FX</b>	<b>220V/50Hz 1~220V/60Hz 1~</b>	Sales code:	<b>105G6846</b>
-------------	---------------	---------------------------------	-------------	-----------------

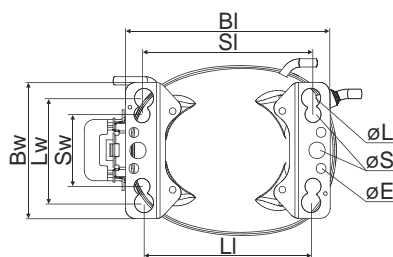
## Compressor dimensions

<b>Housing</b>	A Height	203mm / 7,99in
	B Height	197mm / 7,76in
	C Length shell	205mm / 8,07in
	D Length w. cover	254mm / 10in
	E Width	166mm / 6,54in

Connectors		Suction	Discharge	Process
		X	Y	Z
Diameter	[mm]	øi 8,11-8,29	øi 6,41-6,59	øi 6,41-6,59
	(i:inside, o:outside) [in]	øi 0,32-0,33	øi 0,25-0,26	øi 0,25-0,26
Material		copper	copper	copper
Horizontal angle	±2°	0°	0°	0°
Vertical angle	±2°	15°	35°	155°
Position l/h/w	[mm]	126/76/78	133/103/54	-107/94/72
	[in]	4,9/3/3,1	5,2/4/2,1	-4,2/3,7/2,8
Straight tube l.	[mm]	12	12	12
	[in]	0,5	0,5	0,5

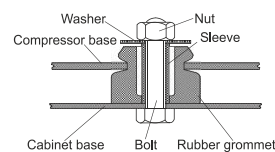


## Compressor fixation

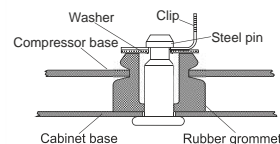


Baseplate	[mm]	[inch]
BI	204	8.03
BW	132	5.2
øE	ø 9.7	ø 0.38
Large holes		
	[mm]	[inch]
LI	165	6.5
LW	101.6	4
øL	ø 19	ø 0.75
Small holes		
	[mm]	[inch]
SI	170	6.7
SW	70	2.76
øS	ø 16	ø 0.63

## Bolt joint



## Snap-on



Mounting accessories	one comp.	multi pack
Bolt joint   M6   ø16mm	118-1917	118-1918
Bolt joint   ø1/4"   ø16mm	118-1946	
Bolt joint   ø1/4"   ø19mm	118-1949	
Snap-on   ø7,3   ø16mm	118-1947	118-1919

## Application notes

LRA value on compressor label and datasheet may differ due to different test conditions for UL approval.

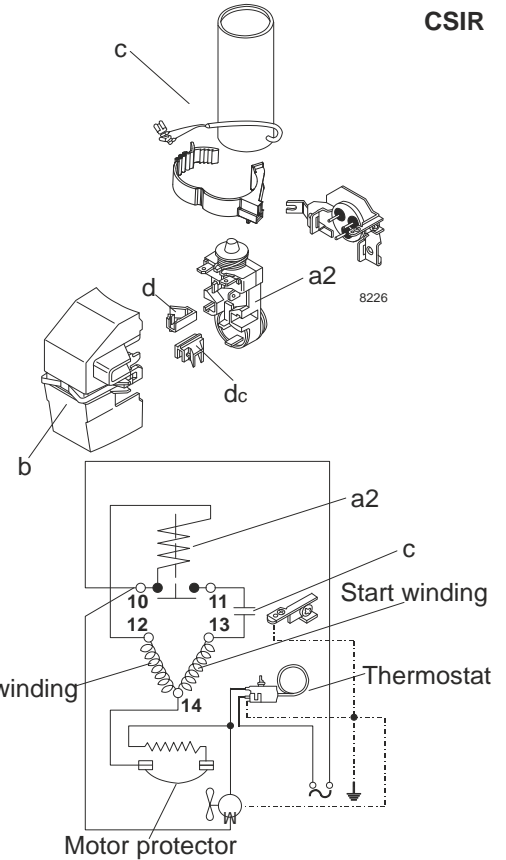
## Model

Designation	<b>NF10FX</b>	<b>220-230V/50Hz</b>	<b>Conf. 1</b>	Sales code:	<b>105G6846</b>
-------------	---------------	----------------------	----------------	-------------	-----------------

## Configuration

Motorconfiguration	CSIR	
Power supply (nominal)	220-230V/50Hz 1~	
Refrigerant	R134a	
Application	LBP+MBP	
Voltage range	198-242V	
Starting torque	HST	
Approvals	UL	SA3693
	VDE	
	CCC	
	EAC	

## Electrical accessories / wiring diagram

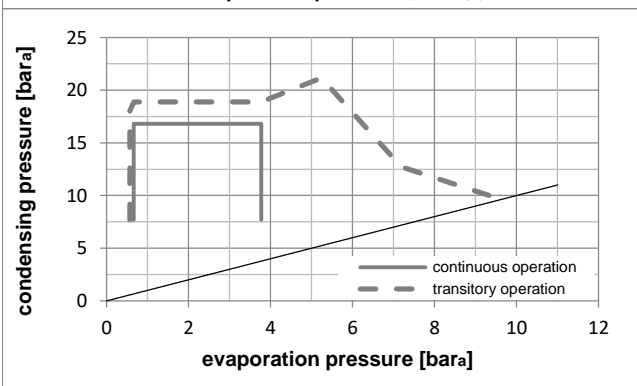
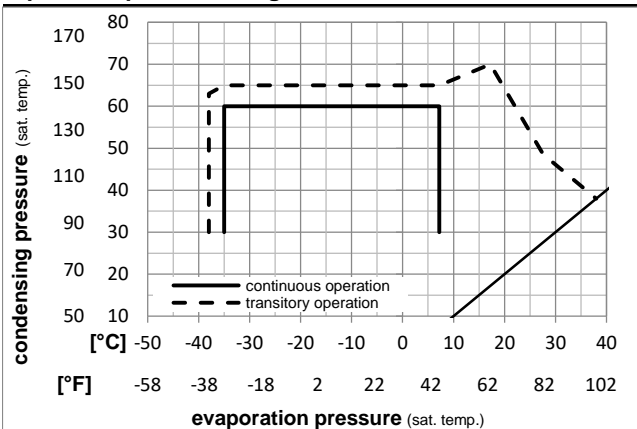


## Ambient temperatures / system cooling

Ambient temperature min.:	10°C / 50°F
Ambient temperature max.:	38°C / 101°F

System cooling (n/a: outside limits)			
T ambient	LBP	MBP	HBP
32°C / 90°F	fan 1,5m/s	fan 1,5m/s	n/a
38°C / 100°F	fan 3m/s	fan 3m/s	n/a
43°C / 110°F	n/a	n/a	n/a

## Operation pressure range



## Components

a2 relay (protector: TI MRP56EN-6)	117U4139
c start capacitor	117U5018
b plastic cover	117U1021
d/dc cord relief	117U0349
d/dc cord relief	117U0349

## Alternative components

a2 relay (protector: TI MRP56EN-6)	117U4139
c start capacitor	117U5018
b plastic cover	117U1021
d/dc cord relief	117U0349
d cord relief	117U0317

## Model

Designation **NF10FX 220-230V/50Hz** Conf. 1 Sales code: **105G6846**

## Optimization + standard conditions

R134a, 220V/50Hz, CSIR, fan 1,5m/s, UL, VDE, CCC, EAC

Evaporating pressure (saturation temperature)		Condensing pressure (saturation temperature)				Return gas temp.		Liquid temp.		Cooling capacity			COP	EER	P1	Current consumption		Ref. mass flow	
pe	pc	RGT	Tliq		[W]	[Btu/h]	[kcal/h]	[W/W]	[Btu/Wh]	[kcal/Wh]	[W]	[A]	[kg/h]						
[°C]	-23,3	54,4	32,2	32,2	266,5	910	229,4	0,94	3,22	0,81	282,7	2,75	5,18	ASHRAE					LBP
[°F]	-10	130	90	90															
[°C]	-25	55	32	55	196,4	671	169,0	0,72	2,47	0,62	271,1	2,73	4,70	cecomaf					LBP
[°F]	-13	131	89,6	131															
[°C]	-35	40	20	40	137,8	471	118,6	0,65	2,24	0,56	210,6	2,67	3,02	EN12900					LBP
[°F]	-31	104	68	104															
[°C]	-23,3	48,9	4,44	48,9	216,9	741	186,6	0,76	2,60	0,66	284,5	2,76	5,73	ARI540					LBP
[°F]	-10	120	40	120															
[°C]	-23,3	40,6	32,2	32,2	294,6	1006	253,6	1,08	3,70	0,93	272,2	2,72	5,72	AHAM					LBP
[°F]	-10	105	90	90															
[°C]	-35	45	32	45	128,4	439	110,5	0,60	2,05	0,52	213,8	2,67	2,77	opt					
[°F]	-31	113	89,6	113															

## Performance tables

R134a, 220V/50Hz, CSIR, fan 1,5m/s, UL, VDE, CCC, EAC

pe	Cooling capacity			COP	EER	P1	I	m			
	[°C]	[°F]	[W]	[Btu/h]	[kcal/h]	[W/W]	[Btu/Wh]	[kcal/Wh]	[W]	[A]	[kg/h]
[°C / °F]	-35	-31	128,4	439	110,5	0,60	2,05	0,52	213,8	2,67	2,77
cond. pressure	-23,3	-10	254,9	870	219,3	0,91	3,11	0,78	279,6	2,74	5,53
pc= 45/113	-15	5	392,2	1340	337,6	1,20	4,08	1,03	328,2	2,81	8,55
return gas temp.	-9,4	15	509,8	1741	438,7	1,41	4,83	1,22	360,5	2,86	11,16
RGT= 32/90	-3,9	25	650,6	2222	559,9	1,66	5,67	1,43	392,2	2,92	14,32
liquid temp	0	32	764,2	2610	657,7	1,85	6,31	1,59	413,8	2,96	16,90
Tliq= 45/113	7,2	45	1010,7	3452	869,9	2,24	7,63	1,92	452,2	3,05	22,58
[°C / °F]	-35	-31	103,5	353	89,0	0,49	1,67	0,42	211,0	2,65	2,46
cond. pressure	-23,3	-10	216,4	739	186,2	0,77	2,62	0,66	281,6	2,74	5,18
pc= 55/131	-15	5	338,8	1157	291,6	1,01	3,45	0,87	335,4	2,84	8,16
return gas temp	-9,4	15	443,9	1516	382,1	1,19	4,08	1,03	372,1	2,92	10,74
RGT= 32/90	-3,9	25	570,4	1948	490,9	1,40	4,77	1,20	408,8	3,01	13,88
liquid temp	0	32	672,8	2298	579,0	1,55	5,29	1,33	434,3	3,07	16,46
Tliq= 55/131	7,2	45	896,1	3060	771,2	1,86	6,36	1,60	480,8	3,21	22,16

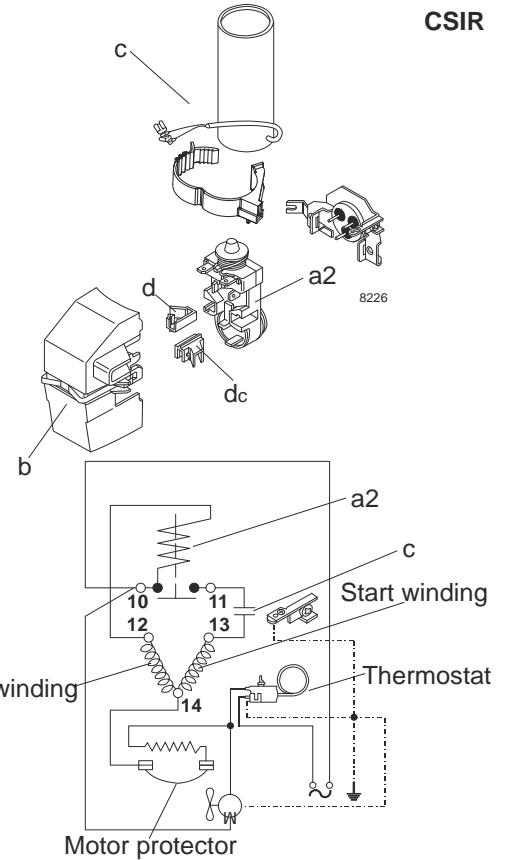
## Model

Designation	<b>NF10FX</b>	<b>220-230V/50Hz</b>	<b>Conf. 2</b>	Sales code:	<b>105G6846</b>
-------------	---------------	----------------------	----------------	-------------	-----------------

## Configuration

Motorconfiguration	CSIR	
Power supply (nominal)	220-230V/50Hz 1~	
Refrigerant	R513A	
Application	LBP+MBP	
Voltage range	198-242V	
Starting torque	HST	
Approvals	UL	SA3693
	VDE	
	CCC	
	EAC	

## Electrical accessories / wiring diagram

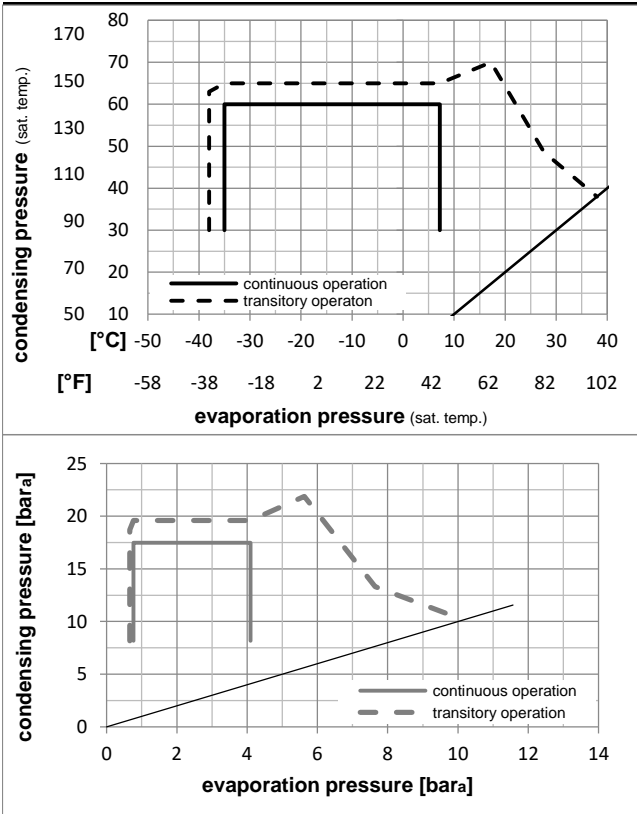


## Ambient temperatures / system cooling

Ambient temperature min.:	10°C / 50°F
Ambient temperature max.:	38°C / 101°F

System cooling (n/a: outside limits)			
T ambient	LBP	MBP	HBP
32°C / 90°F	fan 1,5m/s	fan 1,5m/s	n/a
38°C / 100°F	fan 3m/s	fan 3m/s	n/a
43°C / 110°F	n/a	n/a	n/a

## Operation pressure range



## Components

a2 relay (protector: TI MRP56EN-6)	117U4139
c start capacitor	117U5018
b plastic cover	117U1021
d/dc cord relief	117U0349
d/dc cord relief	117U0349

## Alternative components

a2 relay (protector: TI MRP56EN-6)	117U4139
c start capacitor	117U5018
b plastic cover	117U1021
d/dc cord relief	117U0349
d cord relief	117U0317

## Model

Designation **NF10FX 220-230V/50Hz** Conf. 2 Sales code: **105G6846**

## Optimization + standard conditions

R513A, 220V/50Hz, CSIR, fan 1,5m/s, UL, VDE, CCC, EAC

Evaporating pressure (saturation temperature)		Condensing pressure (saturation temperature)				Cooling capacity						Power consumption			ASHRAE LBP
		Return gas temp.				COP						Current consumption			
		Liquid temp.				EER						Ref. mass flow			
pe	pc	RGT	Tliq	[W]	[Btu/h]	[kcal/h]	[W/W]	[Btu/Wh]	[kcal/Wh]	P1	I	m			
[°C]	[°F]	[°C]	[°F]	[W]	[Btu/h]	[kcal/h]	[W/W]	[Btu/Wh]	[kcal/Wh]	[W]	[A]	[kg/h]			
-23	54,4	32,2	32,2	294,2	1005	253,2	0,95	3,25	0,82	309,2	2,77	6,33	ASHRAE LBP		
-10	130	90	90												
-25	55	32	55	211,0	721	181,6	0,71	2,42	0,61	297,7	2,75	5,78	cecomaf LBP		
-13	131	89,6	131												
-35	40	20	40	153,1	523	131,8	0,65	2,23	0,56	234,3	2,62	3,79	EN12900 LBP		
-31	104	68	104												
-23	48,9	4,44	48,9	228,3	780	196,5	0,74	2,51	0,63	310,2	2,77	6,99	ARI540 LBP		
-10	120	40	120												
-23	40,6	32,2	32,2	322,4	1101	277,5	1,09	3,73	0,94	295,6	2,74	6,94	AHAM LBP		
-10	105	90	90												
-35	45	32	45	143,8	491	123,8	0,60	2,05	0,52	239,0	2,63	3,49	opt		
-31	113	89,6	113												

## Performance tables

R513A, 220V/50Hz, CSIR, fan 1,5m/s, UL, VDE, CCC, EAC

	pe	Cooling capacity			COP	EER	P1	I	m		
	[°C]	[°F]	[W]	[Btu/h]	[kcal/h]	[W/W]	[Btu/Wh]	[kcal/Wh]	[W]	[A]	[kg/h]
[°C / °F]	-35	-31	143,8	491	123,8	0,60	2,05	0,52	239,0	2,63	3,49
cond. pressure	-23	-10	275,5	941	237,1	0,91	3,09	0,78	304,3	2,76	6,72
pc= 45/113	-15	5	416,3	1422	358,3	1,18	4,03	1,02	352,5	2,86	10,20
return gas temp.	-9,4	15	535,6	1829	461,0	1,39	4,76	1,20	384,5	2,92	13,17
RGT= 32/90	-3,9	25	677,5	2314	583,1	1,63	5,57	1,40	415,7	2,98	16,74
liquid temp	0	32	791,3	2703	681,0	1,81	6,19	1,56	436,9	3,02	19,63
Tliq= 45/113	7,2	45	1037,0	3542	892,5	2,19	7,47	1,88	474,2	3,10	25,94
[°C / °F]	-35	-31	116,0	396	99,8	0,49	1,66	0,42	238,4	2,63	3,16
cond. pressure	-23	-10	231,2	790	199,0	0,75	2,56	0,65	308,1	2,77	6,34
pc= 55/131	-15	5	354,3	1210	305,0	0,98	3,35	0,84	361,4	2,87	9,76
return gas temp	-9,4	15	459,1	1568	395,1	1,15	3,94	0,99	397,6	2,95	12,70
RGT= 32/90	-3,9	25	584,3	1995	502,8	1,35	4,60	1,16	433,8	3,02	16,25
liquid temp	0	32	685,1	2340	589,6	1,49	5,10	1,28	458,9	3,07	19,13
Tliq= 55/131	7,2	45	903,8	3087	777,8	1,79	6,12	1,54	504,3	3,16	25,48

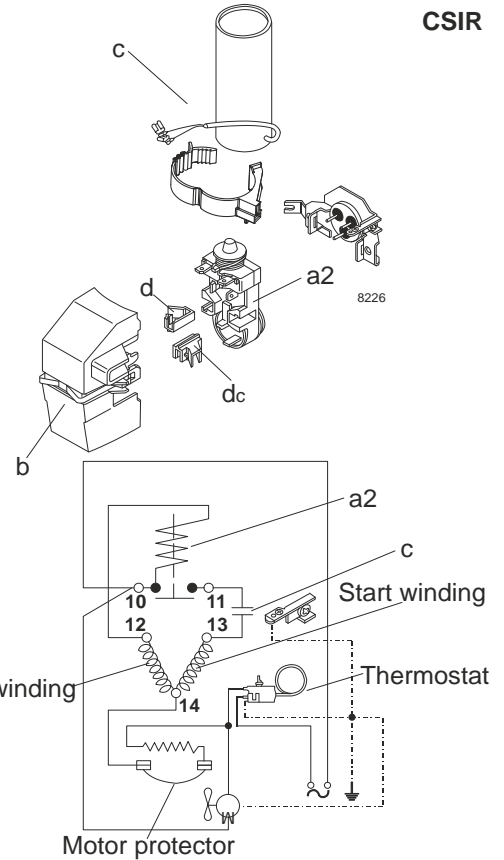
## Model

Designation	<b>NF10FX</b>	<b>208-230V/60Hz</b>	<b>Conf. 3</b>	Sales code:	<b>105G6846</b>
-------------	---------------	----------------------	----------------	-------------	-----------------

## Configuration

Motorconfiguration	CSIR	
Power supply (nominal)	208-230V/60Hz 1~	
Refrigerant	R134a	
Application	LBP+MBP	
Voltage range	198-242V	
Starting torque	HST	
Approvals	UL	SA3693
	VDE	
	CCC	
	EAC	

## Electrical accessories / wiring diagram

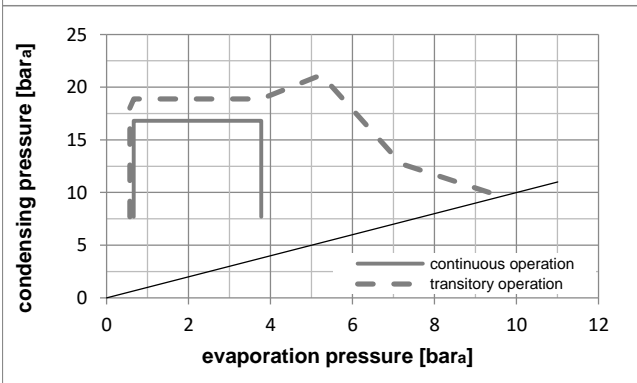
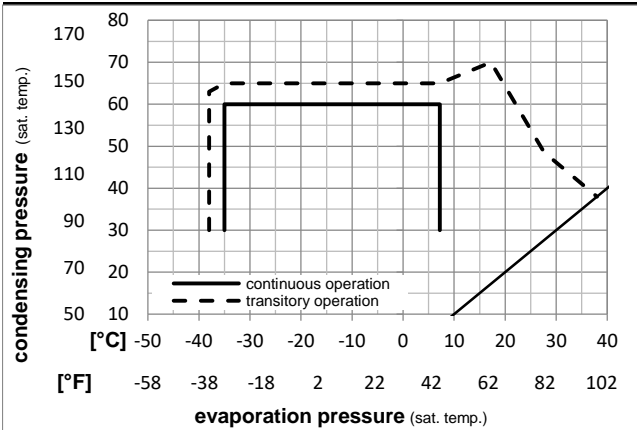


## Ambient temperatures / system cooling

Ambient temperature min.:	10°C / 50°F
Ambient temperature max.:	38°C / 101°F

System cooling (n/a: outside limits)			
T ambient	LBP	MBP	HBP
32°C / 90°F	fan 3m/s	fan 3m/s	n/a
38°C / 100°F	fan 3m/s	fan 3m/s	n/a
43°C / 110°F	n/a	n/a	n/a

## Operation pressure range



## Components

a2 relay (protector: TI MRP56EN-6)	117U4139
c start capacitor	117U5018
b plastic cover	117U1021
d/dc cord relief	117U0349
d/dc cord relief	117U0349

## Alternative components

a2 relay (protector: TI MRP56EN-6)	117U4139
c start capacitor	117U5018
b plastic cover	117U1021
d/dc cord relief	117U0349
d cord relief	117U0317

## Model

Designation	<b>NF10FX</b>	<b>208-230V/60Hz</b>	<b>Conf. 3</b>	Sales code:	<b>105G6846</b>
-------------	---------------	----------------------	----------------	-------------	-----------------

## Optimization + standard conditions

R134a, 220V/60Hz, CSIR, fan 3m/s, UL, VDE, CCC, EAC

Evaporating pressure (saturation temperature)					Condensing pressure (saturation temperature)					Power consumption				
					Return gas temp.					Current consumption				
					Liquid temp.					Ref. mass flow				
					Cooling capacity					COP EER				
pe	pc	RGT	Tliq		[W]	[Btu/h]	[kcal/h]	[W/W]	[Btu/Wh]	[kcal/Wh]	P1	I	m	
[°C]	[°C]										[W]	[A]	[kg/h]	
-23,3	54,4	32,2	32,2		299,0	1021	257,4	1,14	3,90	0,98	262,0	1,86	5,81	ASHRAE LBP
-10	130	90	90											
[°F]														
-25	55	32	55		223,1	762	192,0	0,89	3,03	0,76	251,1	1,82	5,33	cecomaf LBP
-13	131	89,6	131											
[°F]														
-35	40	20	40		157,5	538	135,5	0,92	3,14	0,79	171,0	1,67	3,46	EN12900 LBP
-31	104	68	104											
[°F]														
-23,3	48,9	4,44	48,9		238,9	816	205,6	0,92	3,16	0,80	258,3	1,85	6,31	ARI540 LBP
-10	120	40	120											
[°F]														
-23,3	40,6	32,2	32,2		317,0	1083	272,8	1,26	4,29	1,08	252,3	1,83	6,16	AHAM LBP
-10	105	90	90											
[°F]														
-35	45	32	45		144,8	495	124,6	0,83	2,83	0,71	174,7	1,66	3,12	opt
-31	113	89,6	113											
[°F]														

## Performance tables

R134a, 220V/60Hz, CSIR, fan 3m/s, UL, VDE, CCC, EAC

[°C / °F]	pe	Cooling capacity			COP			EER			P1	I	m
	[°C]	[°F]	[W]	[Btu/h]	[kcal/h]	[W/W]	[Btu/Wh]	[kcal/Wh]	[W]	[A]	[kg/h]		
-35	-31	144,8	495	124,6	0,83	2,83	0,71	174,7	1,66	3,12			
cond. pressure	-23,3	-10	276,5	944	238,0	1,08	3,70	0,93	255,5	1,84	6,00		
pc= 45/113	-15	5	415,1	1418	357,3	1,35	4,60	1,16	308,5	2,01	9,05		
return gas temp.	-9,4	15	537,4	1835	462,5	1,56	5,34	1,34	343,9	2,13	11,77		
RGT= 32/90	-3,9	25	689,2	2354	593,2	1,81	6,18	1,56	381,0	2,26	15,17		
liquid temp	0	32	815,7	2786	702,0	2,00	6,82	1,72	408,5	2,36	18,04		
Tliq= 45/113	7,2	45	1100,9	3760	947,4	2,37	8,09	2,04	465,0	2,56	24,59		
-35	-31	121,9	416	104,9	0,67	2,28	0,57	182,6	1,62	2,90			
cond. pressure	-23,3	-10	242,9	830	209,1	0,93	3,16	0,80	262,3	1,86	5,81		
pc= 55/131	-15	5	362,7	1239	312,1	1,13	3,87	0,98	319,8	2,05	8,73		
return gas temp	-9,4	15	467,3	1596	402,1	1,30	4,42	1,11	360,8	2,20	11,30		
RGT= 32/90	-3,9	25	597,2	2040	514,0	1,47	5,03	1,27	405,3	2,35	14,54		
liquid temp	0	32	705,9	2411	607,5	1,61	5,49	1,38	439,3	2,47	17,27		
Tliq= 55/131	7,2	45	952,7	3254	819,9	1,87	6,38	1,61	510,2	2,70	23,56		



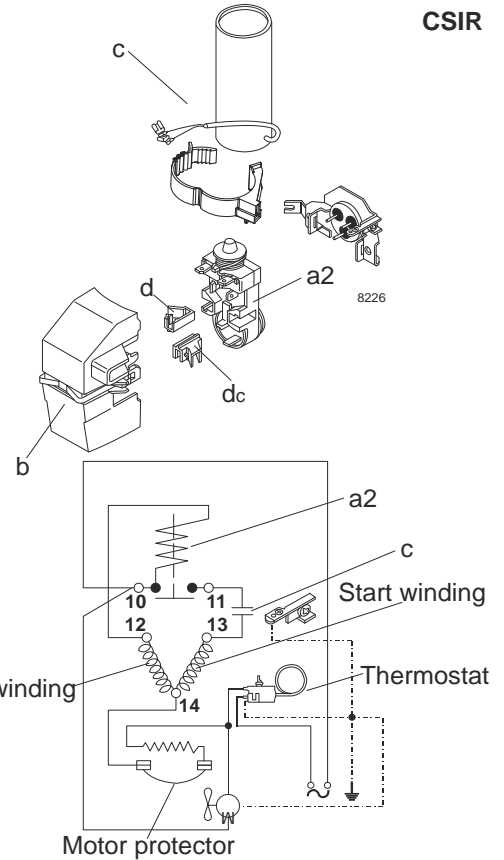
## Model

Designation	<b>NF10FX</b>	<b>208-230V/60Hz</b>	<b>Conf. 4</b>	Sales code:	<b>105G6846</b>
-------------	---------------	----------------------	----------------	-------------	-----------------

## Configuration

Motorconfiguration	CSIR	
Power supply (nominal)	208-230V/60Hz 1~	
Refrigerant	R513A	
Application	LBP+MBP	
Voltage range	198-242V	
Starting torque	HST	
Approvals	UL	SA3693
	VDE	
	CCC	
	EAC	

## Electrical accessories / wiring diagram

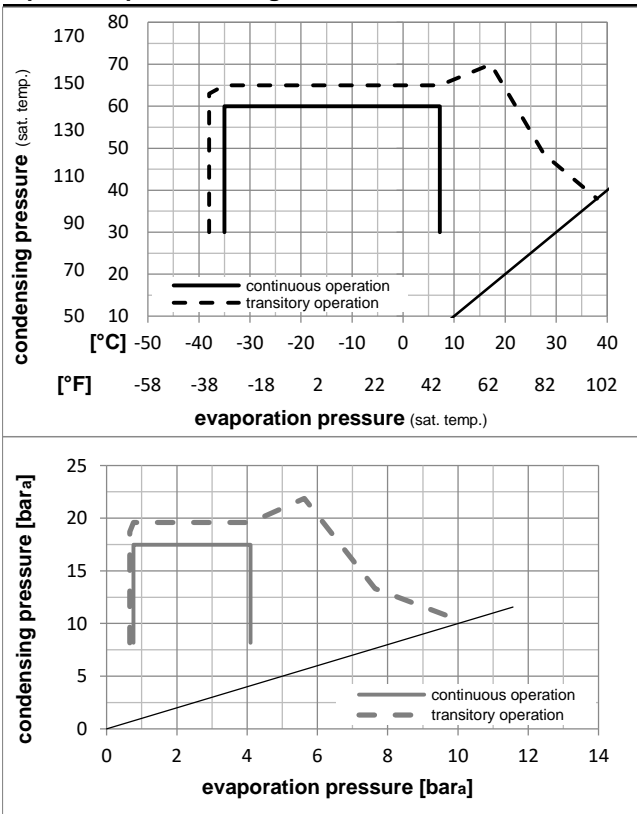


## Ambient temperatures / system cooling

Ambient temperature min.:	10°C / 50°F
Ambient temperature max.:	38°C / 101°F

System cooling (n/a: outside limits)			
T ambient	LBP	MBP	HBP
32°C / 90°F	fan 3m/s	fan 3m/s	n/a
38°C / 100°F	fan 3m/s	fan 3m/s	n/a
43°C / 110°F	n/a	n/a	n/a

## Operation pressure range



## Components

a2 relay (protector: TI MRP56EN-6)	117U4139
c start capacitor	117U5018
b plastic cover	117U1021
d/dc cord relief	117U0349
d/dc cord relief	117U0349

## Alternative components

a2 relay (protector: TI MRP56EN-6)	117U4139
c start capacitor	117U5018
b plastic cover	117U1021
d/dc cord relief	117U0349
d cord relief	117U0317

## Model

Designation **NF10FX 208-230V/60Hz** Conf. 4 Sales code: **105G6846**

## Optimization + standard conditions

R513A, 220V/60Hz, CSIR, fan 3m/s, UL, VDE, CCC, EAC

Evaporating pressure (saturation temperature)					Condensing pressure (saturation temperature)					Power consumption				
					Return gas temp.					Current consumption				
					Liquid temp.					Ref. mass flow				
					Cooling capacity					COP EER				
pe	pc	RGT	Tliq		[W]	[Btu/h]	[kcal/h]	[W/W]	[Btu/Wh]	[kcal/Wh]	P1	I	m	
[°C]	[°C]										[W]	[A]	[kg/h]	
-23,3	54,4	32,2	32,2		330,1	1127	284,1	1,15	3,94	0,99	286,4	1,95	7,10	ASHRAE LBP
-10	130	90	90											
[°F]														
-25	55	32	55		239,6	818	206,2	0,87	2,97	0,75	275,6	1,91	6,56	cecomaf LBP
-13	131	89,6	131											
[°F]														
-35	40	20	40		176,3	602	151,7	0,93	3,18	0,80	189,6	1,63	4,36	EN12900 LBP
-31	104	68	104											
[°F]														
-23,3	48,9	4,44	48,9		251,5	859	216,4	0,89	3,05	0,77	281,4	1,93	7,69	ARI540 LBP
-10	120	40	120											
[°F]														
-23,3	40,6	32,2	32,2		347,2	1186	298,8	1,27	4,33	1,09	273,7	1,91	7,47	AHAM LBP
-10	105	90	90											
[°F]														
-35	45	32	45		163,6	559	140,8	0,84	2,87	0,72	194,6	1,64	3,97	opt
-31	113	89,6	113											
[°F]														

## Performance tables

R513A, 220V/60Hz, CSIR, fan 3m/s, UL, VDE, CCC, EAC

[°C / °F]	pe	Cooling capacity			COP		EER		P1	I	m
	[°C]	[°F]	[W]	[Btu/h]	[kcal/h]	[W/W]	[Btu/Wh]	[kcal/Wh]	[W]	[A]	[kg/h]
-35	-31	163,6	559	140,8	0,84	2,87	0,72	194,6	1,64	3,97	
cond. pressure	-23,3	-10	299,1	1021	257,4	1,08	3,68	0,93	277,7	1,92	7,30
pc= 45/113	-15	5	440,9	1506	379,4	1,33	4,55	1,15	331,3	2,10	10,80
return gas temp.	-9,4	15	565,1	1930	486,3	1,54	5,26	1,33	366,8	2,21	13,90
RGT= 32/90	-3,9	25	718,2	2453	618,1	1,78	6,07	1,53	403,9	2,33	17,75
liquid temp	0	32	845,2	2886	727,4	1,96	6,69	1,69	431,5	2,43	20,96
Tliq= 45/113	7,2	45	1130,0	3859	972,5	2,32	7,91	1,99	488,0	2,61	28,26
-35	-31	137,5	469	118,3	0,67	2,28	0,57	206,0	1,68	3,75	
cond. pressure	-23,3	-10	259,6	887	223,4	0,90	3,09	0,78	286,9	1,95	7,12
pc= 55/131	-15	5	379,7	1297	326,8	1,10	3,76	0,95	344,6	2,14	10,46
return gas temp	-9,4	15	483,7	1652	416,3	1,25	4,28	1,08	385,7	2,27	13,38
RGT= 32/90	-3,9	25	612,2	2091	526,9	1,42	4,86	1,22	430,4	2,42	17,02
liquid temp	0	32	719,2	2456	619,0	1,55	5,29	1,33	464,6	2,54	20,09
Tliq= 55/131	7,2	45	961,2	3283	827,2	1,79	6,12	1,54	536,1	2,77	27,10