

NF11FX Standard Compressor R134a 115-127V 60Hz

General

| | |
|-----------------------|----------|
| Code number | 105G5945 |
| Approvals | UL984 |
| Compressors on pallet | 80 |

Application

| Application | LBP/MBP | | | |
|--|---------|----|-----------|--|
| | Hz | 50 | 60 | |
| Frequency | Hz | 50 | 60 | |
| Evaporating temperature | °F | - | -31 to 45 | |
| Voltage range | V | - | 95 - 135 | |
| Max. condensing temperature continuous (short) | °F | - | 140 (158) | |
| Max. winding temperature continuous (short) | °F | - | 257 (275) | |

Cooling requirements

| Frequency | Hz | 50 | | | 60 | | |
|-----------|----|-----|-----|-----|----------------|----------------|-----|
| | | LBP | MBP | HBP | LBP | MBP | HBP |
| 90°F | | - | - | - | F ₂ | F ₂ | - |
| 100°F | | - | - | - | F ₂ | F ₂ | - |
| 110°F | | - | - | - | F ₂ | F ₂ | - |

Remarks on application: Below 0°F only for 115V 60Hz nominal.

Motor

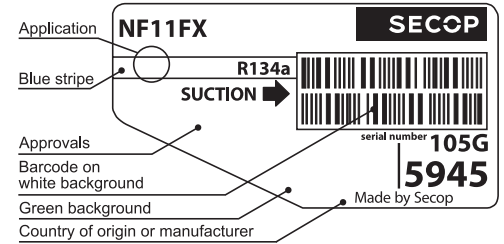
| Motor type | CSIR | | |
|---|------|------|-----|
| LRA (rated after 4 sec. UL984), HST LST | A | 43.1 | - |
| Cut in Current, HST LST | A | 43.1 | - |
| Resistance, main start winding (77°F) | Ω | 1.0 | 3.6 |

Design

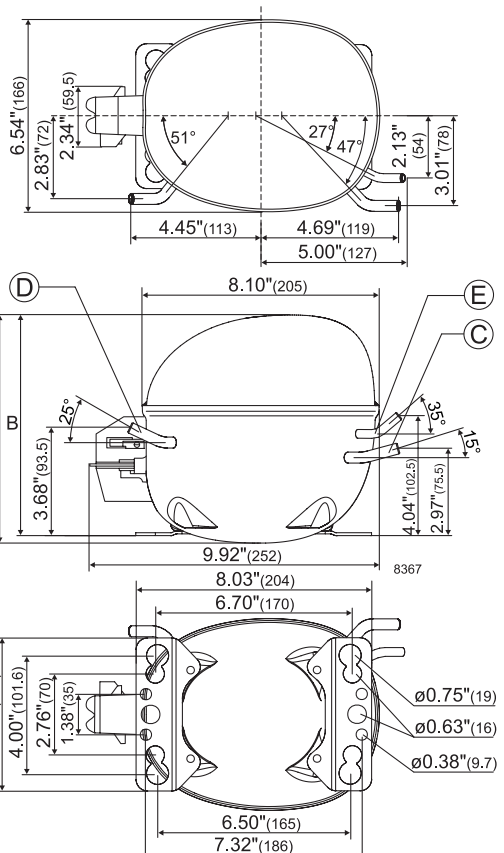
| | | |
|-------------------------------------|--------|--------------------|
| Displacement | cu.in | 0.68 |
| Oil quantity (type) | fl.oz. | 10.8 (polyolester) |
| Maximum refrigerant charge | oz. | 14.0 |
| Free gas volume in compressor | fl.oz. | 79.7 |
| Weight without electrical equipment | lbs. | 22.0 |

Dimensions

| Height | inch | A | 8.00 |
|----------------------|----------------------------|--------------------|----------------------|
| | | B | 7.76 |
| | | B1 | - |
| | | B2 | - |
| Suction connector | location, I.D. in. angle | C | 0.320-0.327 15° |
| | | material comment | Copper Rubber plug |
| Process connector | location, I.D. in. angle | D | 0.252-0.259 25° |
| | | material comment | Copper Rubber plug |
| Discharge connector | location, I.D. in. angle | E | 0.252-0.259 35° |
| | | material comment | Copper Rubber plug |
| Oil cooler connector | location, I.D. in. angle | F | - |
| | material comment | | - |
| Remarks: | | | |



- S = Static cooling normally sufficient
- O = Oil cooling
- F₁ = Fan cooling 1.5 m/s (compressor compartment temperature equal to ambient temperature)
- F₂ = Fan cooling 3.0 m/s necessary
- SG = Suction gas cooling normally sufficient
- = not applicable in this area



ASHRAE LBP

115V, 60Hz, fan cooling F₂

| | | | | | | | | | | | | | | | | | |
|--------------------|-----|-----|------|------|------|------|------|------|------|------|------|------|------|------|----|----|----|
| Evap. temp. in °F | -49 | -40 | -30 | -20 | -13 | -10 | 0 | 10 | 14 | 20 | 30 | 40 | 41 | 45 | 50 | 59 | 68 |
| Capacity in BTU/h | | | 502 | 774 | 996 | 1101 | 1498 | 1980 | 2200 | 2564 | 3265 | 4101 | 4193 | 4569 | | | |
| Power cons. in W | | | 218 | 254 | 283 | 295 | 341 | 390 | 410 | 441 | 495 | 550 | 556 | 578 | | | |
| Current cons. in A | | | 4.26 | 4.52 | 4.72 | 4.81 | 5.12 | 5.45 | 5.59 | 5.81 | 6.19 | 6.60 | 6.64 | 6.81 | | | |
| EER in BTU/Wh | | | 2.30 | 3.05 | 3.53 | 3.73 | 4.39 | 5.08 | 5.37 | 5.81 | 6.59 | 7.45 | 7.54 | 7.90 | | | |

ASHRAE MBP

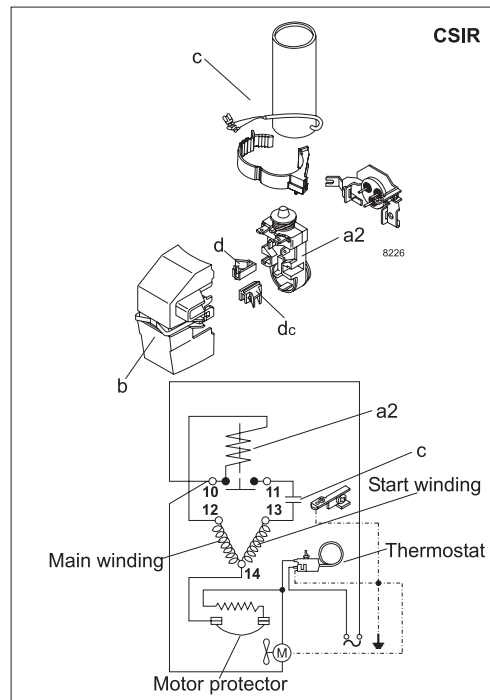
115V, 60Hz, fan cooling F₂

| | | | | | | | | | | | | | | | | | |
|--------------------|-----|-----|------|------|------|------|------|------|------|------|------|------|------|------|----|----|----|
| Evap. temp. in °F | -49 | -40 | -30 | -20 | -13 | -10 | 0 | 10 | 14 | 20 | 30 | 40 | 41 | 45 | 50 | 59 | 68 |
| Capacity in BTU/h | | | 447 | 690 | 887 | 980 | 1333 | 1761 | 1957 | 2279 | 2900 | 3639 | 3720 | 4050 | | | |
| Power cons. in W | | | 218 | 254 | 283 | 295 | 341 | 390 | 410 | 441 | 495 | 550 | 556 | 578 | | | |
| Current cons. in A | | | 4.26 | 4.52 | 4.72 | 4.81 | 5.12 | 5.45 | 5.59 | 5.81 | 6.19 | 6.60 | 6.64 | 6.81 | | | |
| EER in BTU/Wh | | | 2.05 | 2.71 | 3.14 | 3.32 | 3.91 | 4.52 | 4.77 | 5.16 | 5.86 | 6.61 | 6.69 | 7.00 | | | |

EN 12900 Household (CECOMAF)

115V, 60Hz, fan cooling F₂

| | | | | | | | | | | | | | | | | | |
|--------------------|-----|-----|------|------|------|------|------|------|------|------|------|------|------|------|----|----|----|
| Evap. temp. in °F | -49 | -40 | -30 | -20 | -13 | -10 | 0 | 10 | 14 | 20 | 30 | 40 | 41 | 45 | 50 | 59 | 68 |
| Capacity in BTU/h | | | 409 | 629 | 809 | 893 | 1213 | 1601 | 1778 | 2069 | 2631 | 3299 | 3372 | 3671 | | | |
| Power cons. in W | | | 218 | 255 | 283 | 296 | 341 | 391 | 411 | 443 | 497 | 553 | 558 | 581 | | | |
| Current cons. in A | | | 4.26 | 4.52 | 4.72 | 4.81 | 5.12 | 5.46 | 5.60 | 5.82 | 6.21 | 6.62 | 6.66 | 6.83 | | | |
| EER in BTU/Wh | | | 1.87 | 2.47 | 2.86 | 3.02 | 3.55 | 4.10 | 4.32 | 4.67 | 5.29 | 5.97 | 6.04 | 6.32 | | | |



| Accessories for | NF11FX | Figure | Code number |
|---------------------------|------------------------|--------|-------------|
| Starting relay | 1/4 in. spade connect. | a2 | 117U4123 |
| Protector 3/4 in. | Texas Instruments | | MRT16AFZ-6 |
| Start. capacitor 410 µF | 1/4 in. spade connect. | c | 117U5028 |
| Cover | | b | 117U1021 |
| Cord relief | | d | 117U0349 |
| Cord relief for capacitor | | dc | 117U0349 |

| Test conditions | ASHRAE LBP | ASHRAE MBP | EN 12900/CECOMAF |
|--------------------|------------|------------|------------------|
| Condensing temp. | 130°F | 130°F | 131°F |
| Ambient temp. | 90°F | 95°F | 90°F |
| Suction gas temp. | 90°F | 95°F | 90°F |
| Liquid temperature | 90°F | 115°F | no subcooling |

| Mounting accessories | | Code number |
|--------------------------|------------|-------------|
| Bolt joint for one comp. | Ø: 5/8 in. | 118-1917 |
| Bolt joint in quantities | Ø: 5/8 in. | 118-1918 |
| Snap-on in quantities | Ø: 5/8 in. | 118-1919 |

Nidec GA Compressors accepts no responsibility for possible errors in catalogs, brochures, and other printed material. Nidec GA Compressors reserves the right to alter its products without notice. This also applies to products already on order provided that such alterations can be made without substantial changes being necessary to specifications already agreed. All trademarks in this material are the property of the respective companies. Secop and the Secop logotype are trademarks of Nidec Global Appliance Germany GmbH. All rights reserved. www.secop.com