

## Model

Designation	<b>NF6.1FX.2</b>	115-127V/60Hz 1~	Sales code:	<b>105G5631</b>
-------------	------------------	------------------	-------------	-----------------

## Compressor design

Oil type	Polyolester	Refrigerant(s)	<b>R134a</b>
Oil viscosity	32cST	Displacement	6,13cm <sup>3</sup> / 0,37cu.in
Oil quantity	265cm <sup>3</sup> / 9fl.oz	Compressors on pallet	80
Refr. charge - tech. limit	400g / 14,1oz		
Free gas volume comp.	2360cm <sup>3</sup> / 79,8fl.oz		
Weight	10kg / 22lbs		
Motor protection	external		
Winding resistance main	2Ω (at 25°C)		
Winding resistance aux	3,1Ω (at 25°C)		
Max. winding temp.	125°C / 257°F		
Max. discharge temp.	130°C / 266°F		



## General - Configurations with NF6.1FX.2

	<b>Conf. 1</b>
Motorconfiguration	CSIR
Power supply (nominal)	115V/60Hz
Number of phases	1
Voltage range	95-135V
Approvals	EAC, UL
Starting torque	HST
Note	- / -

## Applications with NF6.1FX.2

	<b>Conf. 1</b>
Refrigerant	R134a
Application	LBP+MBP
System cooling	fan 1,5m/s
Hot gas defrost	- / -
Long interval pull down	OK

## Electrical data - Configurations with NF6.1FX.2

	<b>Conf. 1</b>
Starting device type	relay
Run capacitor	- / -
Start capacitor	280μF
LRA (locked rotor amps / 4s)	22,2A
RLA (rated load amps / 1s)	3,7A
Cut in current	22,2A
IP class	21

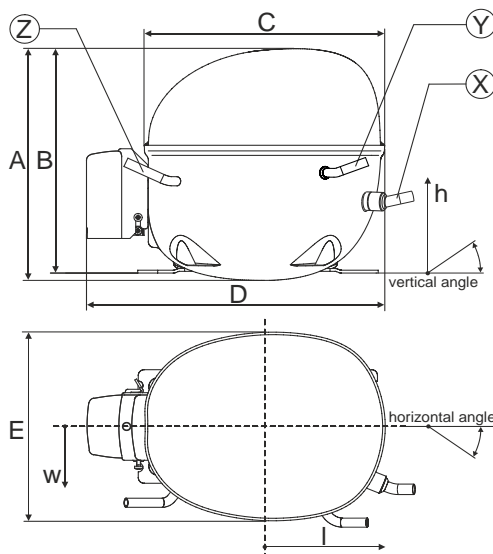
## Model

Designation	<b>NF6.1FX.2</b>	115-127V/60Hz 1~	Sales code:	<b>105G5631</b>
-------------	------------------	------------------	-------------	-----------------

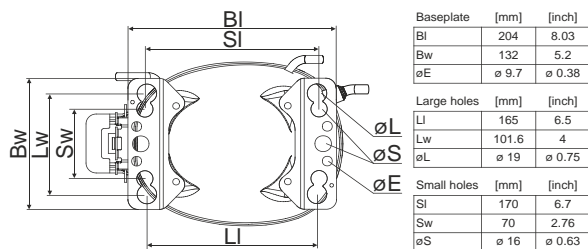
## Compressor dimensions

<b>Housing</b>	A Height	197mm / 7,76in
	B Height	191mm / 7,52in
	C Length shell	205mm / 8,07in
	D Length w. cover	254mm / 10in
	E Width	166mm / 6,54in

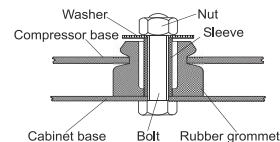
<b>Connectors</b>		<b>Suction</b>	<b>Discharge</b>	<b>Process</b>
		<b>X</b>	<b>Y</b>	<b>Z</b>
Diameter	[mm]	øi 8,11-8,29	øi 6,41-6,59	øi 6,41-6,59
(i:inside, o:outside)	[in]	øi 0,32-0,33	øi 0,25-0,26	øi 0,25-0,26
Material		copper	copper	copper
Horizontal angle	±2°	0°	0°	0°
Vertical angle	±2°	15°	35°	155°
Position l/h/w	[mm]	119/76/78	127/103/54	-113/94/72
	[in]	4,7/3/3,1	5/4,1/2,1	-4,4/3,7/2,8
Straight tube l.	[mm]	12	12	12
	[in]	0,5	0,5	0,5



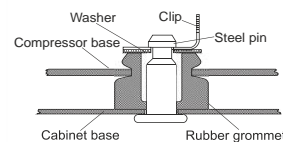
## Compressor fixation



### Bolt joint



### Snap-on



## Mounting accessories

	one comp.	multi pack
Bolt joint   M6   ø16mm	118-1917	118-1918
Bolt joint   ø1/4"   ø16mm	118-1946	
Bolt joint   ø1/4"   ø19mm	118-1949	
Snap-on   ø7,3   ø16mm	118-1947	118-1919

## Application notes

LRA value on compressor label and datasheet may differ due to different test conditions for UL approval.

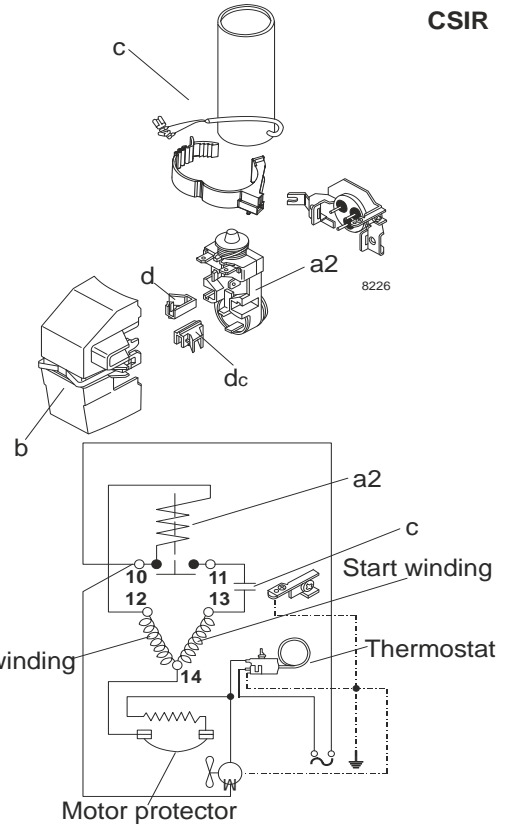
## Model

Designation	NF6.1FX.2	115V/60Hz	Conf. 1	Sales code:	105G5631
-------------	-----------	-----------	---------	-------------	----------

## Configuration

Motorconfiguration	CSIR
Power supply (nominal)	115V/60Hz 1~
Refrigerant	R134a
Application	LBP+MBP
Voltage range	95-135V
Starting torque	HST
Approvals	EAC
	UL

## Electrical accessories / wiring diagram

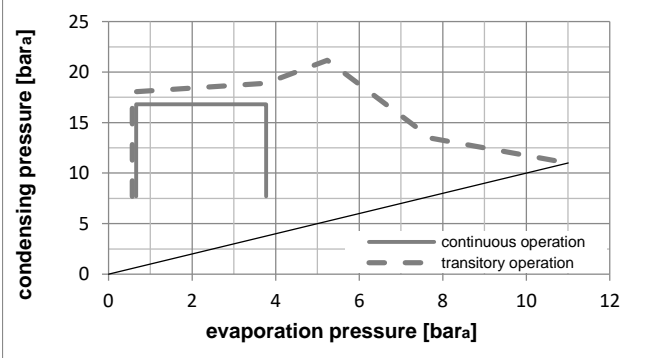
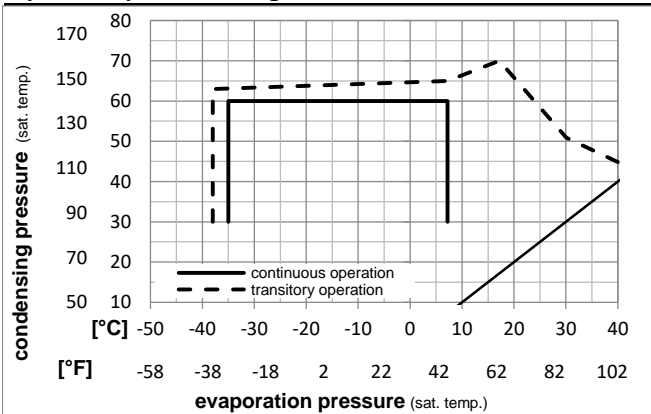


## Ambient temperatures / system cooling

Ambient temperature min.:	10°C / 50°F
Ambient temperature max.:	43°C / 110°F

System cooling (n/a: outside limits)			
T ambient	LBP	MBP	HBP
32°C / 90°F	fan 1,5m/s	fan 1,5m/s	n/a
38°C / 100°F	fan 1,5m/s	fan 1,5m/s	n/a
43°C / 110°F	fan 1,5m/s	fan 1,5m/s	n/a

## Operation pressure range



### Components

a2	current relay (MRP36AEN-6)	117U4127
c	start capacitor (280µF)	117U5025
b	plastic cover	117U1021
d/dc	cord relief	117U0349
d/dc	cord relief	117U0349

### Alternative components

a2	current relay (MRP36AEN-6)	117U4157
c	start capacitor (280µF)	117U5074

## Model

Designation **NF6.1FX.2 115V/60Hz** Conf. **1** Sales code: **105G5631**

## Optimization + standard conditions

R134a, 115V/60Hz, CSIR, fan 1,5m/s, EAC, UL

Evaporating pressure (saturation temperature)														
Condensing pressure (saturation temperature)														
Return gas temp.														
Liquid temp.														
Cooling capacity														
COP														
EER														
Power consumption														
Current consumption														
Ref. mass flow														
	pe	pc	RGT	Tliq	[W]	[Btu/h]	[kcal/h]	[W/W]	[Btu/Wh]	[kcal/Wh]	P1	I	m	
[°C]	[°C]	[°C]	[°C]	[°C]							[W]	[A]	[kg/h]	
[°F]	-23,3	54,4	32,2	32,2	211,3	721	181,8	1,19	4,06	1,02	177,6	2,66	4,10	ASHRAE LBP
[°F]	-10	130	90	90										
[°C]	-25	55	32	55	152,8	522	131,5	0,90	3,08	0,78	169,4	2,62	3,65	cecomaf LBP
[°F]	-13	131	89,6	131										
[°C]	-35	40	20	40	99,9	341	86,0	0,76	2,59	0,65	131,6	2,48	2,19	EN12900 LBP
[°F]	-31	104	68	104										
[°C]	-23,3	48,9	4,44	48,9	177,9	608	153,1	1,00	3,42	0,86	177,9	2,64	4,70	ARI540 LBP
[°F]	-10	120	40	120										
[°C]	-23,3	40,6	32,2	32,2	242,6	828	208,8	1,38	4,70	1,19	176,1	2,62	4,71	AHAM LBP
[°F]	-10	105	90	90										
[°C]	-35	45	32	45	90,9	310	78,2	0,71	2,42	0,61	128,1	2,47	1,96	opt
[°F]	-31	113	89,6	113										

## Performance tables

R134a, 115V/60Hz, CSIR, fan 1,5m/s, EAC, UL

	pe	Cooling capacity			COP	EER	P1	I	m			
		[°C]	[°F]	[W]						[Btu/h]	[kcal/h]	[W/W]
[°C / °F]	-35	-31		90,9	310	78,2	0,71	2,42	0,61	128,1	2,47	1,96
cond. pressure	-23,3	-10		209,5	716	180,3	1,18	4,03	1,02	177,4	2,64	4,54
pc= 45/113	-15	5		326,8	1116	281,2	1,56	5,34	1,34	209,2	2,80	7,12
return gas temp.	-9,4	15		422,9	1444	363,9	1,83	6,27	1,58	230,5	2,93	9,26
RGT= 32/90	-3,9	25		535,2	1828	460,6	2,12	7,23	1,82	252,9	3,08	11,78
liquid temp	0	32		624,2	2132	537,2	2,31	7,90	1,99	269,7	3,20	13,80
Tliq= 45/113	7,2	45		814,4	2781	700,9	2,67	9,13	2,30	304,6	3,43	18,19
[°C / °F]	-35	-31		69,1	236	59,4	0,59	2,02	0,51	116,9	2,44	1,64
cond. pressure	-23,3	-10		170,2	581	146,5	0,96	3,28	0,83	177,5	2,66	4,07
pc= 55/131	-15	5		274,3	937	236,1	1,27	4,32	1,09	216,7	2,86	6,60
return gas temp	-9,4	15		361,3	1234	311,0	1,49	5,09	1,28	242,6	3,01	8,74
RGT= 32/90	-3,9	25		464,3	1586	399,6	1,72	5,89	1,48	269,3	3,19	11,30
liquid temp	0	32		546,6	1867	470,4	1,89	6,46	1,63	289,0	3,32	13,37
Tliq= 55/131	7,2	45		724,0	2473	623,1	2,20	7,52	1,89	328,9	3,58	17,91