

NF7FX Standard Compressor R134a 115-127V 60Hz

General

| | |
|-----------------------|----------|
| Code number | 105G5723 |
| Approvals | UL984 |
| Compressors on pallet | 80 |

Application

| Application | LBP/MBP | | | |
|--|---------|----|-----------|--|
| | Hz | 50 | 60 | |
| Frequency | Hz | 50 | 60 | |
| Evaporating temperature | °F | - | -31 to 45 | |
| Voltage range | V | - | 95 - 135 | |
| Max. condensing temperature continuous (short) | °F | - | 140 (158) | |
| Max. winding temperature continuous (short) | °F | - | 257 (275) | |

Cooling requirements

| Frequency | Hz | 50 | | | 60 | | |
|-------------------------|----|-----|-----|-----|----------------|----------------|-----|
| | | LBP | MBP | HBP | LBP | MBP | HBP |
| 90°F | | - | - | - | F ₁ | F ₁ | - |
| 100°F | | - | - | - | F ₁ | F ₁ | - |
| 110°F | | - | - | - | F ₁ | F ₁ | - |
| Remarks on application: | | | | | | | |

Motor

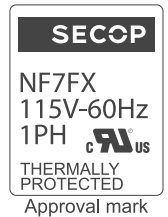
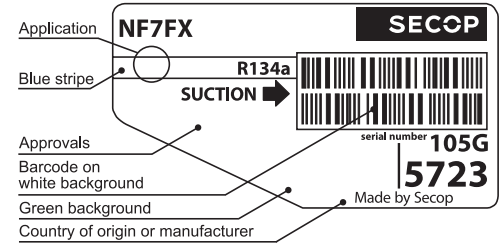
| Motor type | CSIR | | |
|---|------|------|-----|
| LRA (rated after 4 sec. UL984), HST LST | A | 28.0 | - |
| Cut in Current, HST LST | A | 28.0 | - |
| Resistance, main start winding (77°F) | Ω | 1.9 | 6.6 |

Design

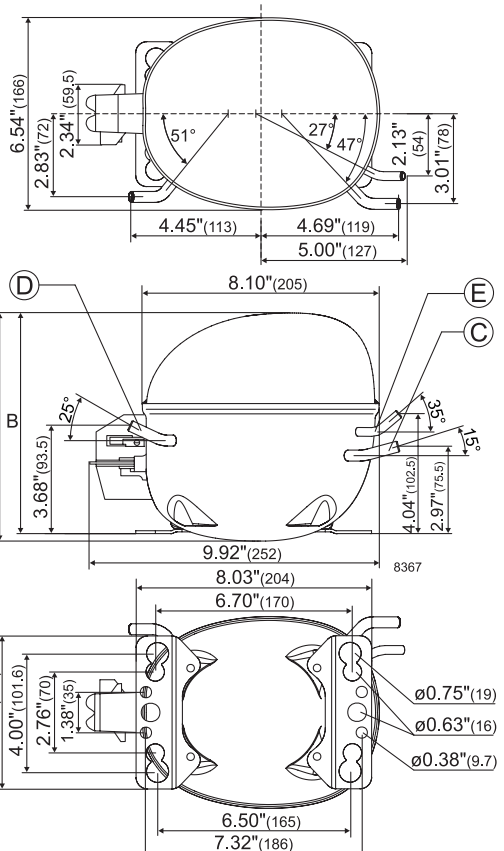
| | | |
|-------------------------------------|--------|--------------------|
| Displacement | cu.in | 0.44 |
| Oil quantity (type) | fl.oz. | 10.8 (polyolester) |
| Maximum refrigerant charge | oz. | 17.5 |
| Free gas volume in compressor | fl.oz. | 79.7 |
| Weight without electrical equipment | lbs. | 22.0 |

Dimensions

| Height | inch | A | 7.76 |
|----------------------|----------------------------|--------------------|----------------------|
| | | B | 7.52 |
| | | B1 | - |
| | | B2 | - |
| Suction connector | location, I.D. in. angle | C | 0.320-0.327 15° |
| | | material comment | Copper Rubber plug |
| Process connector | location, I.D. in. angle | D | 0.252-0.259 25° |
| | | material comment | Copper Rubber plug |
| Discharge connector | location, I.D. in. angle | E | 0.252-0.259 35° |
| | | material comment | Copper Rubber plug |
| Oil cooler connector | location, I.D. in. angle | F | - |
| | | material comment | - |
| Remarks: | | | |



- S = Static cooling normally sufficient
- O = Oil cooling
- F₁ = Fan cooling 1.5 m/s (compressor compartment temperature equal to ambient temperature)
- F₂ = Fan cooling 3.0 m/s necessary
- SG = Suction gas cooling normally sufficient
- = not applicable in this area



ASHRAE LBP

115V, 60Hz, fan cooling F₁

| | | | | | | | | | | | | | | | | | |
|--------------------|-----|-----|------|------|------|------|------|------|------|------|------|------|------|------|----|----|----|
| Evap. temp. in °F | -49 | -40 | -30 | -20 | -13 | -10 | 0 | 10 | 14 | 20 | 30 | 32 | 40 | 45 | 50 | 59 | 68 |
| Capacity in BTU/h | | | 414 | 618 | 782 | 858 | 1147 | 1495 | 1656 | 1918 | 2428 | 2544 | 3037 | 3383 | | | |
| Power cons. in W | | | 145 | 181 | 205 | 215 | 247 | 279 | 291 | 310 | 341 | 347 | 372 | 388 | | | |
| Current cons. in A | | | 2.97 | 3.14 | 3.26 | 3.32 | 3.50 | 3.70 | 3.78 | 3.90 | 4.11 | 4.16 | 4.33 | 4.45 | | | |
| EER in BTU/Wh | | | 2.85 | 3.42 | 3.82 | 4.00 | 4.63 | 5.36 | 5.69 | 6.19 | 7.12 | 7.33 | 8.16 | 8.72 | | | |

ASHRAE MBP

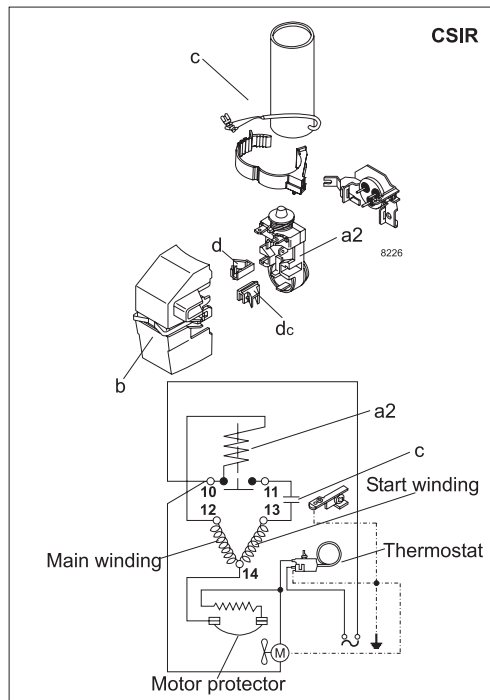
115V, 60Hz, fan cooling F₁

| | | | | | | | | | | | | | | | | | |
|--------------------|-----|-----|------|------|------|------|------|------|------|------|------|------|------|------|----|----|----|
| Evap. temp. in °F | -49 | -40 | -30 | -20 | -13 | -10 | 0 | 10 | 14 | 20 | 30 | 32 | 40 | 45 | 50 | 59 | 68 |
| Capacity in BTU/h | | | 368 | 550 | 695 | 763 | 1019 | 1328 | 1475 | 1703 | 2153 | 2264 | 2692 | 2997 | | | |
| Power cons. in W | | | 145 | 181 | 205 | 215 | 247 | 279 | 291 | 310 | 341 | 347 | 372 | 388 | | | |
| Current cons. in A | | | 2.97 | 3.14 | 3.26 | 3.32 | 3.50 | 3.70 | 3.78 | 3.90 | 4.11 | 4.16 | 4.33 | 4.45 | | | |
| EER in BTU/Wh | | | 2.54 | 3.04 | 3.39 | 3.55 | 4.12 | 4.76 | 5.07 | 5.49 | 6.32 | 6.52 | 7.24 | 7.73 | | | |

EN 12900 Household (CECOMAF)

115V, 60Hz, fan cooling F₁

| | | | | | | | | | | | | | | | | | |
|--------------------|-----|-----|------|------|------|------|------|------|------|------|------|------|------|------|----|----|----|
| Evap. temp. in °F | -49 | -40 | -30 | -20 | -13 | -10 | 0 | 10 | 14 | 20 | 30 | 32 | 40 | 45 | 50 | 59 | 68 |
| Capacity in W | | | 98 | 147 | 186 | 204 | 272 | 355 | 396 | 454 | 574 | 606 | 717 | 799 | | | |
| Power cons. in W | | | 145 | 181 | 205 | 215 | 247 | 279 | 291 | 310 | 341 | 347 | 372 | 388 | | | |
| Current cons. in A | | | 2.97 | 3.14 | 3.26 | 3.32 | 3.50 | 3.70 | 3.78 | 3.90 | 4.11 | 4.16 | 4.33 | 4.45 | | | |
| COP in W/W | | | 0.67 | 0.81 | 0.90 | 0.94 | 1.10 | 1.27 | 1.36 | 1.46 | 1.68 | 1.75 | 1.92 | 2.05 | | | |



| Accessories for | NF7FX | Figure | Code number | Test conditions | ASHRAE LBP | ASHRAE MBP | EN 12900/CECOMAF |
|---------------------------|------------------------|--------|-------------|---------------------------------|------------|--------------------|------------------|
| Starting relay | 1/4 in. spade connect. | a2 | 117U4061 | Condensing temp. | 130°F | 130°F | 131°F |
| Protector 3/4 in. | Texas Instruments | | MRP30AEN-6 | Ambient temp. | 90°F | 95°F | 90°F |
| Protector 3/4 in. | Electrica | | T 0772/06 | Suction gas temp. | 90°F | 95°F | 90°F |
| Start. capacitor 280 µF | 1/4 in. spade connect. | c | 117U5025 | Liquid temperature | 90°F | 115°F | 131°F |
| Cover | | b | 117U1021 | Mounting accessories | | | |
| Cord relief | | d | 117U0349 | Bolt joint for one comp. | | Code number | |
| Cord relief for capacitor | | dc | 117U0349 | Ø: 5/8 in. | | 118-1917 | |
| | | | | Ø: 5/8 in. | | 118-1918 | |
| | | | | Ø: 5/8 in. | | 118-1919 | |

Nidec GA Compressors accepts no responsibility for possible errors in catalogs, brochures, and other printed material. Nidec GA Compressors reserves the right to alter its products without notice. This also applies to products already on order provided that such alterations can be made without substantial changes being necessary to specifications already agreed. All trademarks in this material are the property of the respective companies. Secop and the Secop logotype are trademarks of Nidec Global Appliance Germany GmbH. All rights reserved. www.secop.com