



**ASHRAE LBP**

115V, 60Hz, fan cooling F<sub>1</sub>

|                    |     |     |     |      |      |      |      |      |      |      |      |      |      |      |    |    |    |
|--------------------|-----|-----|-----|------|------|------|------|------|------|------|------|------|------|------|----|----|----|
| Evap. temp. in °F  | -49 | -40 | -30 | -20  | -13  | -10  | 0    | 10   | 14   | 20   | 30   | 32   | 40   | 45   | 50 | 59 | 68 |
| Capacity in BTU/h  |     |     |     | 674  | 851  | 935  | 1261 | 1662 | 1852 | 2148 | 2731 | 2868 | 3420 | 3808 |    |    |    |
| Power cons. in W   |     |     |     | 213  | 235  | 245  | 277  | 311  | 325  | 347  | 386  | 394  | 429  | 452  |    |    |    |
| Current cons. in A |     |     |     | 3.32 | 3.44 | 3.50 | 3.69 | 3.92 | 4.01 | 4.17 | 4.45 | 4.50 | 4.75 | 4.91 |    |    |    |
| EER in BTU/Wh      |     |     |     | 3.17 | 3.62 | 3.82 | 4.55 | 5.34 | 5.69 | 6.19 | 7.07 | 7.30 | 7.98 | 8.43 |    |    |    |

**ASHRAE MBP**

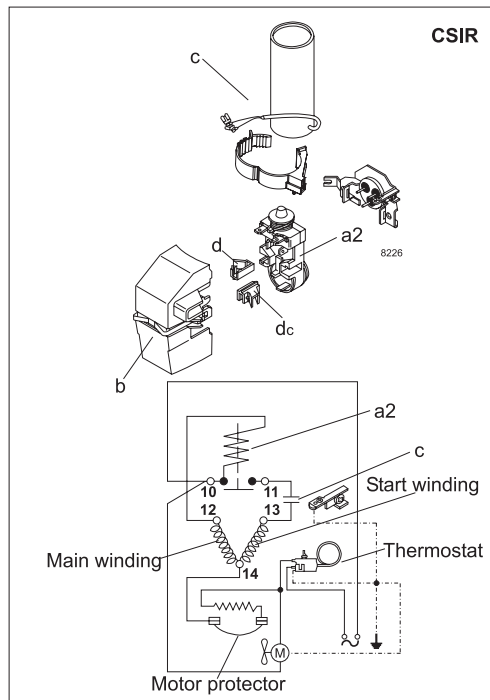
115V, 60Hz, fan cooling F<sub>1</sub>

|                    |     |     |     |      |      |      |      |      |      |      |      |      |      |      |    |    |    |
|--------------------|-----|-----|-----|------|------|------|------|------|------|------|------|------|------|------|----|----|----|
| Evap. temp. in °F  | -49 | -40 | -30 | -20  | -13  | -10  | 0    | 10   | 14   | 20   | 30   | 32   | 40   | 45   | 50 | 59 | 68 |
| Capacity in BTU/h  |     |     |     | 599  | 756  | 831  | 1121 | 1476 | 1647 | 1907 | 2422 | 2547 | 3031 | 3374 |    |    |    |
| Power cons. in W   |     |     |     | 213  | 235  | 245  | 277  | 311  | 325  | 347  | 386  | 394  | 429  | 452  |    |    |    |
| Current cons. in A |     |     |     | 3.32 | 3.44 | 3.50 | 3.69 | 3.92 | 4.01 | 4.17 | 4.45 | 4.50 | 4.75 | 4.91 |    |    |    |
| EER in BTU/Wh      |     |     |     | 2.82 | 3.22 | 3.40 | 4.04 | 4.75 | 5.08 | 5.49 | 6.28 | 6.48 | 7.07 | 7.47 |    |    |    |

**EN 12900 Household (CECOMAF)**

115V, 60Hz, fan cooling F<sub>1</sub>

|                    |     |     |     |      |      |      |      |      |      |      |      |      |      |      |    |    |    |
|--------------------|-----|-----|-----|------|------|------|------|------|------|------|------|------|------|------|----|----|----|
| Evap. temp. in °F  | -49 | -40 | -30 | -20  | -13  | -10  | 0    | 10   | 14   | 20   | 30   | 32   | 40   | 45   | 50 | 59 | 68 |
| Capacity in W      |     |     |     | 160  | 202  | 222  | 299  | 394  | 437  | 509  | 646  | 677  | 809  | 900  |    |    |    |
| Power cons. in W   |     |     |     | 213  | 235  | 245  | 277  | 311  | 326  | 347  | 386  | 395  | 429  | 452  |    |    |    |
| Current cons. in A |     |     |     | 3.32 | 3.44 | 3.50 | 3.69 | 3.92 | 4.02 | 4.17 | 4.45 | 4.51 | 4.75 | 4.91 |    |    |    |
| COP in W/W         |     |     |     | 0.75 | 0.86 | 0.91 | 1.08 | 1.26 | 1.34 | 1.46 | 1.67 | 1.71 | 1.88 | 1.99 |    |    |    |



| Accessories for           | NF9FX                  | Figure | Code number |
|---------------------------|------------------------|--------|-------------|
| Starting relay            | 1/4 in. spade connect. | a2     | 117U4129    |
| Protector 3/4 in.         | Texas Instruments      |        | MRT22AFZ-6  |
| Start. capacitor 280 µF   | 1/4 in. spade connect. | c      | 117U5025    |
| Cover                     |                        | b      | 117U1021    |
| Cord relief               |                        | d      | 117U0349    |
| Cord relief for capacitor |                        | dc     | 117U0349    |

| Test conditions    | ASHRAE LBP | ASHRAE MBP | EN 12900/CECOMAF |
|--------------------|------------|------------|------------------|
| Condensing temp.   | 130°F      | 130°F      | 131°F            |
| Ambient temp.      | 90°F       | 95°F       | 90°F             |
| Suction gas temp.  | 90°F       | 95°F       | 90°F             |
| Liquid temperature | 90°F       | 115°F      | 131°F            |

| Mounting accessories     |            | Code number |
|--------------------------|------------|-------------|
| Bolt joint for one comp. | Ø: 5/8 in. | 118-1917    |
| Bolt joint in quantities | Ø: 5/8 in. | 118-1918    |
| Snap-on in quantities    | Ø: 5/8 in. | 118-1919    |

Nidec GA Compressors accepts no responsibility for possible errors in catalogs, brochures, and other printed material. Nidec GA Compressors reserves the right to alter its products without notice. This also applies to products already on order provided that such alterations can be made without substantial changes being necessary to specifications already agreed. All trademarks in this material are the property of the respective companies. Secop and the Secop logotype are trademarks of Nidec Global Appliance Germany GmbH. All rights reserved. [www.secop.com](http://www.secop.com)