

EN 12900 Household (CECOMAF) 220V, 50Hz, fan cooling F₁

| | | | | | | | | | | | | | | | | | |
|--------------------|-----|-----|-----|-----|-----|-------|------|------|------|------|------|------|------|------|------|------|----|
| Evap. temp. in °C | -45 | -40 | -35 | -30 | -25 | -23.3 | -20 | -15 | -10 | -6.7 | -5 | 0 | 5 | 7.2 | 10 | 15 | 20 |
| Capacity in W | | | | | | | 141 | 189 | 245 | 288 | 312 | 390 | 482 | 527 | 588 | 709 | |
| Power cons. in W | | | | | | | 150 | 169 | 187 | 200 | 206 | 224 | 243 | 252 | 263 | 283 | |
| Current cons. in A | | | | | | | 1.35 | 1.39 | 1.43 | 1.46 | 1.48 | 1.54 | 1.60 | 1.63 | 1.67 | 1.75 | |
| COP in W/W | | | | | | | 0.94 | 1.12 | 1.31 | 1.44 | 1.51 | 1.74 | 1.98 | 2.09 | 2.24 | 2.51 | |

EN 12900 Household (CECOMAF) 220V, 60Hz, fan cooling F₁

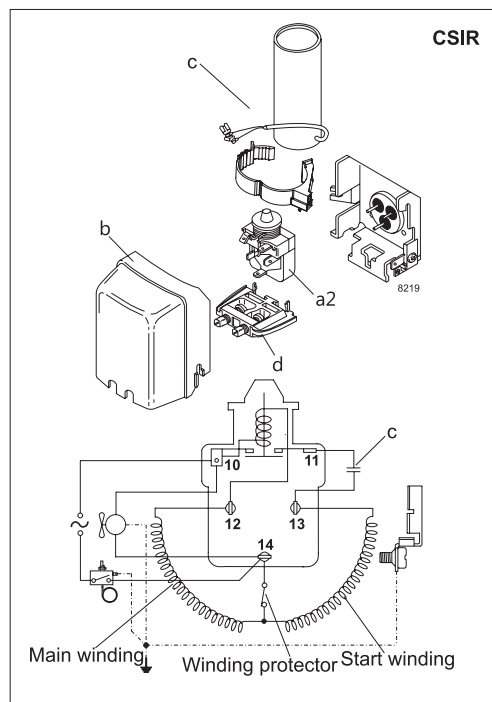
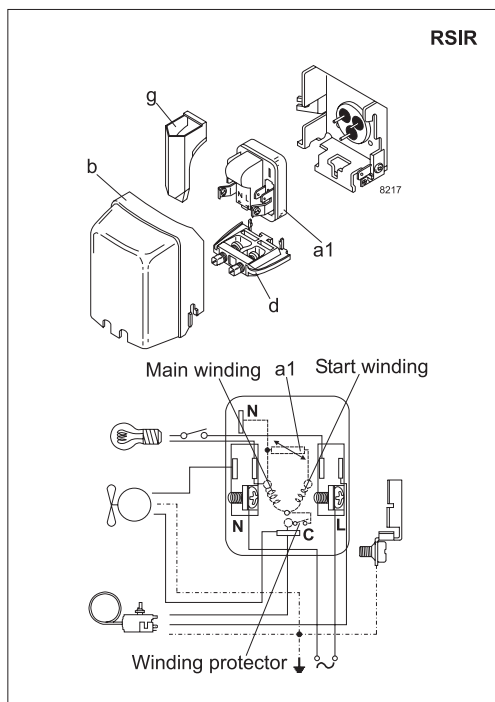
| | | | | | | | | | | | | | | | | | |
|--------------------|-----|-----|------|------|------|-------|------|------|------|------|------|------|------|------|----|----|----|
| Evap. temp. in °C | -45 | -40 | -35 | -30 | -25 | -23.3 | -20 | -15 | -10 | -6.7 | -5 | 0 | 5 | 7.2 | 10 | 15 | 20 |
| Capacity in W | | | 43 | 77 | 117 | 132 | 165 | 223 | 292 | 344 | 374 | 470 | 581 | 636 | | | |
| Power cons. in W | | | 78 | 105 | 132 | 141 | 160 | 189 | 218 | 237 | 247 | 276 | 306 | 319 | | | |
| Current cons. in A | | | 0.91 | 0.99 | 1.08 | 1.11 | 1.17 | 1.26 | 1.37 | 1.44 | 1.48 | 1.60 | 1.73 | 1.78 | | | |
| COP in W/W | | | 0.55 | 0.73 | 0.89 | 0.94 | 1.03 | 1.18 | 1.34 | 1.45 | 1.51 | 1.70 | 1.90 | 2.00 | | | |

ASHRAE MBP 220V, 50Hz, fan cooling F₁

| | | | | | | | | | | | | | | | | | |
|--------------------|-----|-----|-----|-----|-----|-------|------|------|------|------|------|------|------|------|------|------|----|
| Evap. temp. in °C | -45 | -40 | -35 | -30 | -25 | -23.3 | -20 | -15 | -10 | -6.7 | -5 | 0 | 5 | 7.2 | 10 | 15 | 20 |
| Capacity in W | | | | | | | 156 | 209 | 271 | 318 | 345 | 432 | 533 | 582 | 650 | 784 | |
| Power cons. in W | | | | | | | 150 | 168 | 187 | 199 | 205 | 224 | 242 | 251 | 261 | 281 | |
| Current cons. in A | | | | | | | 1.35 | 1.39 | 1.43 | 1.46 | 1.48 | 1.54 | 1.60 | 1.63 | 1.67 | 1.75 | |
| COP in W/W | | | | | | | 1.04 | 1.24 | 1.45 | 1.60 | 1.68 | 1.93 | 2.20 | 2.32 | 2.48 | 2.78 | |

ASHRAE MBP 220V, 60Hz, fan cooling F₁

| | | | | | | | | | | | | | | | | | |
|--------------------|-----|-----|------|------|------|-------|------|------|------|------|------|------|------|------|----|----|----|
| Evap. temp. in °C | -45 | -40 | -35 | -30 | -25 | -23.3 | -20 | -15 | -10 | -6.7 | -5 | 0 | 5 | 7.2 | 10 | 15 | 20 |
| Capacity in W | | | 49 | 86 | 130 | 147 | 183 | 247 | 323 | 381 | 414 | 520 | 643 | 703 | | | |
| Power cons. in W | | | 79 | 105 | 132 | 142 | 160 | 188 | 217 | 236 | 246 | 275 | 304 | 317 | | | |
| Current cons. in A | | | 0.92 | 0.99 | 1.08 | 1.11 | 1.17 | 1.26 | 1.37 | 1.44 | 1.48 | 1.60 | 1.72 | 1.78 | | | |
| COP in W/W | | | 0.62 | 0.82 | 0.98 | 1.04 | 1.15 | 1.31 | 1.49 | 1.62 | 1.68 | 1.89 | 2.12 | 2.22 | | | |



| Accessories for | NL6.1MF | Figure | Code number |
|---------------------------|-------------------------|--------|-------------|
| PTC starting device | 6.3 mm spade connectors | a1 | 103N0011 |
| | 4.8 mm spade connectors | | 103N0018 |
| Starting relay | 6.3 mm spade connectors | a2 | 117U6015 |
| Start. capacitor 80 µF | 6.3 mm spade connectors | c | 117U5015 |
| Cover | | b | 103N2011 |
| Cord relief | | d | 103N1010 |
| Protection screen for PTC | | g | 103N0476 |

| Test conditions | EN 12900/CECOMAF | ASHRAE |
|-------------------------|------------------|--------|
| Condensing temperature | 55°C | 54.4°C |
| Ambient temperature | 32°C | 35°C |
| Suction gas temperature | 32°C | 35°C |
| Liquid temperature | no subcooling | 46.1°C |

| Mounting accessories | | Code number |
|--------------------------|----------|-------------|
| Bolt joint for one comp. | Ø: 16 mm | 118-1917 |
| Bolt joint in quantities | Ø: 16 mm | 118-1918 |
| Snap-on in quantities | Ø: 16 mm | 118-1919 |

Nidec GA Compressors accepts no responsibility for possible errors in catalogs, brochures, and other printed material. Nidec GA Compressors reserves the right to alter its products without notice. This also applies to products already on order provided that such alterations can be made without subsequential changes being necessary to specifications already agreed. All trademarks in this material are the property of the respective companies. Secop and the Secop logotype are trademarks of Nidec Global Appliance Germany GmbH. All rights reserved. www.secop.com