

NL6.1MLX MBP Compressor R404A/R507 220-240V 50Hz & 208-230V 60Hz

General

Code number	105F3611
Approvals	EN 60335-2-34, UL984
Compressors on pallet	80

Application

Application	MBP			
	Hz	50	60	
Frequency	Hz	50	60	
Evaporating temperature	°C	-23.3 to 7.2	-23.3 to 7.2	
Voltage range	V	187 - 254	187 - 254	
Max. condensing temperature continuous (short)	°C	55 (60)	55 (60)	
Max. winding temperature continuous (short)	°C	125 (135)	125 (135)	

Cooling requirements

Frequency	Hz	50			60		
		LBP	MBP	HBP	LBP	MBP	HBP
32°C		-	F ₂	-	-	F ₂	-
38°C		-	F ₂	-	-	F ₂	-
43°C		-	F ₂	-	-	F ₂	-
Remarks on application:							

Motor

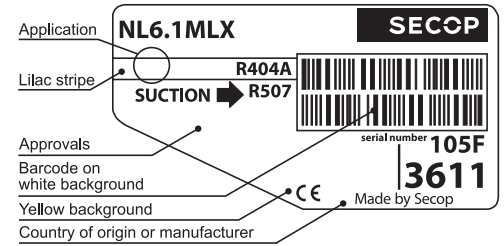
Motor type	CSIR		
LRA (rated after 4 sec. UL984), HST LST	A	16.6	-
Cut in Current, HST LST	A	16.6	-
Resistance, main start winding (25°C)	Ω	6.1	17.5

Design

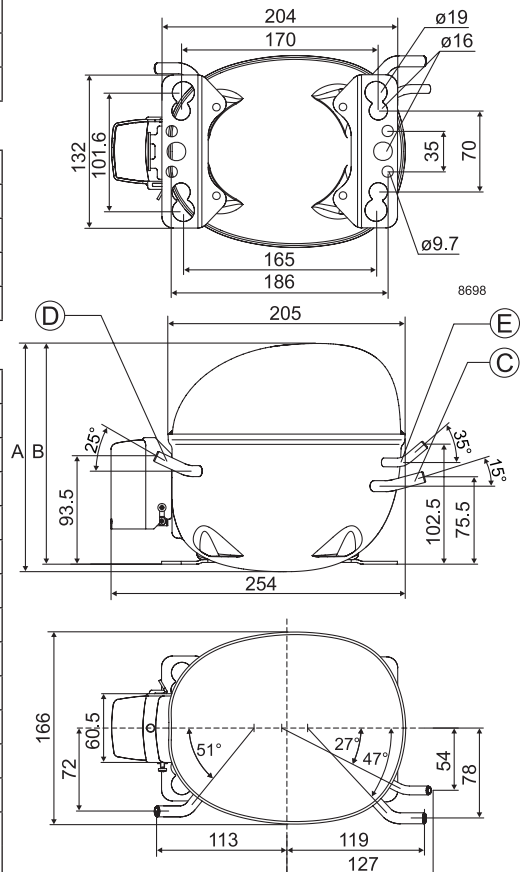
Displacement	cm ³	6.13
Oil quantity (type)	cm ³	320 (polyolester)
Maximum refrigerant charge	g	400
Free gas volume in compressor	cm ³	2310
Weight without electrical equipment	kg	10.5

Dimensions

Height	mm	A	203
		B	197
		B1	-
		B2	-
Suction connector	location/I.D. mm angle	C	8.2 15°
	material comment	Copper Rubber plug	
Process connector	location/I.D. mm angle	D	6.5 25°
	material comment	Copper Rubber plug	
Discharge connector	location/I.D. mm angle	E	6.5 35°
	material comment	Copper Rubber plug	
Oil cooler connector	location/I.D. mm angle	F	-
	material comment	-	
Connector tolerance	I.D. mm	±0.09	
Remarks:			



- S = Static cooling normally sufficient
- O = Oil cooling
- F₁ = Fan cooling 1.5 m/s (compressor compartment temperature equal to ambient temperature)
- F₂ = Fan cooling 3.0 m/s necessary
- SG = Suction gas cooling normally sufficient
- = not applicable in this area



ASHRAE MBP

 230V, 60Hz, fan cooling F₂

Evap. temp. in °C	-45	-40	-35	-30	-25	-23.3	-20	-15	-10	-6.7	-5	0	5	7.2	10	15	20
Capacity in W						298	359	462	580	668	717	873	1052	1139			
Power cons. in W						282	310	352	392	419	432	471	508	525			
Current cons. in A						1.89	1.99	2.14	2.29	2.39	2.45	2.61	2.77	2.84			
COP in W/W						1.06	1.16	1.31	1.48	1.60	1.66	1.86	2.07	2.17			

EN 12900 Household (CECOMAF)

 230V, 60Hz, fan cooling F₂

Evap. temp. in °C	-45	-40	-35	-30	-25	-23.3	-20	-15	-10	-6.7	-5	0	5	7.2	10	15	20
Capacity in W						339	401	507	630	720	771	932	1116	1205			
Power cons. in W						276	300	334	368	389	400	431	462	476			
Current cons. in A						1.88	1.96	2.08	2.20	2.29	2.33	2.46	2.60	2.66			
COP in W/W						1.23	1.34	1.52	1.71	1.85	1.93	2.16	2.42	2.53			

ASHRAE MBP

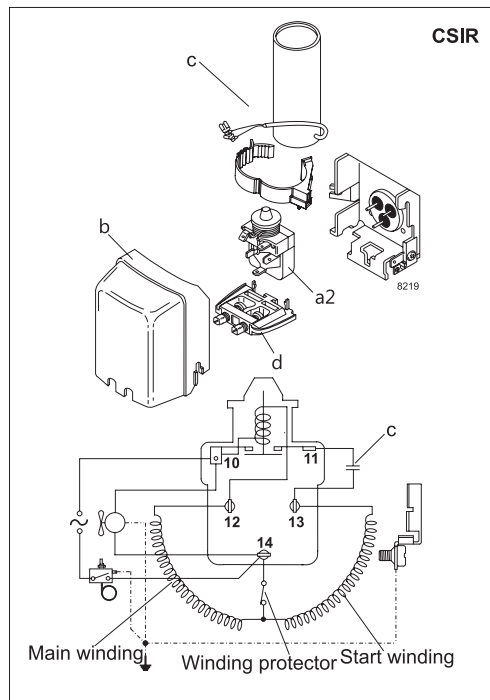
 220V, 50Hz, fan cooling F₂

Evap. temp. in °C	-45	-40	-35	-30	-25	-23.3	-20	-15	-10	-6.7	-5	0	5	7.2	10	15	20
Capacity in W						248	299	387	488	562	603	736	888	962			
Power cons. in W						255	275	305	334	352	362	388	412	422			
Current cons. in A						2.18	2.22	2.30	2.38	2.43	2.46	2.55	2.64	2.68			
COP in W/W						0.97	1.09	1.27	1.46	1.59	1.67	1.90	2.16	2.28			

EN 12900 Household (CECOMAF)

 220V, 50Hz, fan cooling F₂

Evap. temp. in °C	-45	-40	-35	-30	-25	-23.3	-20	-15	-10	-6.7	-5	0	5	7.2	10	15	20
Capacity in W						281	334	425	530	608	650	789	946	1022			
Power cons. in W						244	261	287	312	327	335	356	375	383			
Current cons. in A						2.12	2.16	2.22	2.29	2.33	2.36	2.43	2.50	2.54			
COP in W/W						1.16	1.28	1.48	1.70	1.86	1.94	2.22	2.52	2.67			



Accessories for	NL6.1MLX	Figure	Code number	Test conditions	EN 12900/CECOMAF	ASHRAE MBP
PTC starting device	6.3 mm spade connectors	a1	-	Condensing temperature	45°C	54.4°C
	4.8 mm spade connectors		-	Ambient temperature	32°C	35°C
Starting relay	6.3 mm spade connectors	a2	117U6022	Suction gas temperature	32°C	35°C
Cover (UL approved)		b	103N2011	Liquid temperature	no subcooling	46.1°C
Start. capacitor 80 µF	6.3 mm spade connectors	c	117U5015			
Cord relief		d	103N1010			
Protection screen for PTC		g	-			
				Mounting accessories	Code number	
				Bolt joint for one comp.	Ø: 16 mm	118-1917
				Bolt joint in quantities	Ø: 16 mm	118-1918
				Snap-on in quantities	Ø: 16 mm	118-1919

Nidec GA Compressors accepts no responsibility for possible errors in catalogs, brochures, and other printed material. Nidec GA Compressors reserves the right to alter its products without notice. This also applies to products already on order provided that such alterations can be made without consequential changes being necessary to specifications already agreed. All trademarks in this material are the property of the respective companies. Secop and the Secop logotype are trademarks of Nidec Global Appliance Germany GmbH. All rights reserved. www.secop.com