

## NL9CLX LBP Compressor R404A/R507 220-240V 50Hz

### General

Code number	105F3802
Approvals	CCC
Compressors on pallet	80

### Application

Application	LBP					
Frequency	Hz	50			60	
Evaporating temperature	°C	-45 to -10			-	
Voltage range	V	198 - 254			-	
Max. condensing temperature continuous (short)	°C	50 (60)			-	
Max. winding temperature continuous (short)	°C	125 (135)			-	

### Cooling requirements

Frequency	Hz	50			60		
Application		LBP	MBP	HBP	LBP	MBP	HBP
32°C		F <sub>2</sub>	-	-	-	-	-
38°C		F <sub>2</sub>	-	-	-	-	-
43°C		F <sub>2</sub>	-	-	-	-	-
Remarks on application:							

### Motor

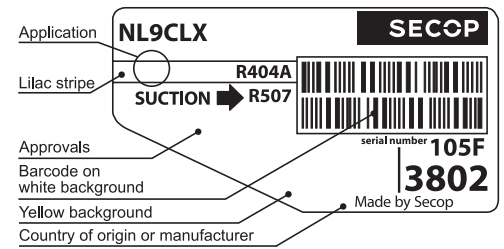
Motor type	CSIR		
LRA (rated after 4 sec. UL984), HST   LST	A	13.7	-
Cut in Current, HST   LST	A	13.7	-
Resistance, main   start winding (25°C)	Ω	6.1	16.0

### Design

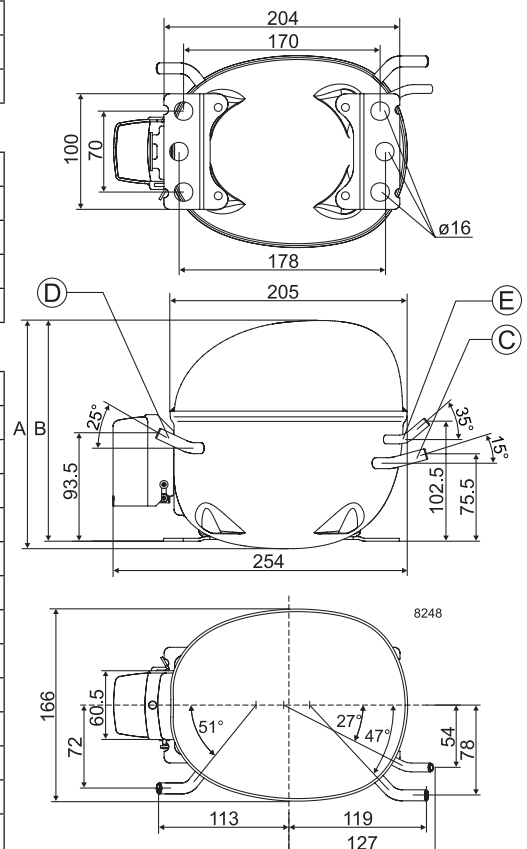
Displacement	cm <sup>3</sup>	8.35
Oil quantity (type)	cm <sup>3</sup>	300 (polyolester)
Maximum refrigerant charge	g	600
Free gas volume in compressor	cm <sup>3</sup>	2310
Weight without electrical equipment	kg	10.4

### Dimensions

Height	mm	A	203
		B	197
		B1	-
		B2	-
Suction connector	location/I.D. mm   angle	C	8.2   15°
	material   comment		Copper   Rubber plug
Process connector	location/I.D. mm   angle	D	6.2   25°
	material   comment		Copper   Rubber plug
Discharge connector	location/I.D. mm   angle	E	6.2   35°
	material   comment		Copper   Rubber plug
Oil cooler connector	location/I.D. mm   angle	F	-
	material   comment		-
Connector tolerance	I.D. mm		±0.09
Remarks:			



- S = Static cooling normally sufficient
- O = Oil cooling
- F<sub>1</sub> = Fan cooling 1.5 m/s  
(compressor compartment temperature equal to ambient temperature)
- F<sub>2</sub> = Fan cooling 3.0 m/s necessary
- SG = Suction gas cooling normally sufficient
- = not applicable in this area



**EN 12900 Household (CECOMAF)**

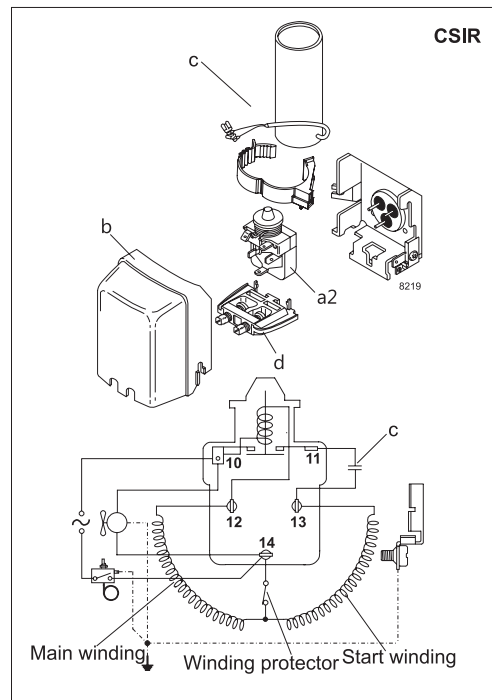
 220V, 50Hz, fan cooling F<sub>2</sub>

Evap. temp. in °C	-45	-40	-35	-30	-25	-23.3	-20	-15	-10	-6.7	-5	0	5	7.2	10	15	20
Capacity in W	130	172	230	304	394	428	500	622.	761								
Power cons. in W	180	208	240	276	314	327	353	393	432								
Current cons. in A	1.64	1.71	1.79	1.90	2.02	2.07	2.16	2.30	2.46								
COP in W/W	0.72	0.83	0.96	1.1	1.26	1.31	1.42	1.58	1.76								

**ASHRAE LBP**

 220V, 50Hz, fan cooling F<sub>2</sub>

Evap. temp. in °C	-45	-40	-35	-30	-25	-23.3	-20	-15	-10	-6.7	-5	0	5	7.2	10	15	20
Capacity in W	122	171	236	319	419	464	538	675	832								
Power cons. in W	177	207	242	282	325	344	372	420	469								
Current cons. in A	1.62	1.69	1.79	1.91	2.06	2.12	2.22	2.41	2.61								
COP in W/W	0.69	0.83	0.98	1.13	1.29	1.35	1.45	1.61	1.77								



Accessories for	NL9CLX	Figure	Code number	Test conditions	EN 12900/CECOMAF	ASHRAE LBP
PTC starting device	6.3 mm spade connectors	a1	–	Condensing temperature	45°C	54.4°C
	4.8 mm spade connectors		–	Ambient temperature	32°C	32°C
Starting relay	6.3 mm spade connectors	a2	117U6003	Suction gas temperature	32°C	32°C
Cover		b	103N2010	Liquid temperature	no subcooling	32°C
Start. capacitor 80 µF	6.3 mm spade connectors	c	117U5015			
Cord relief		d	103N1010			
Protection screen for PTC		g	–			
				<b>Mounting accessories</b>		<b>Code number</b>
				Bolt joint for one comp.	Ø: 16 mm	118-1917
				Bolt joint in quantities	Ø: 16 mm	118-1918
				Snap-on in quantities	Ø: 16 mm	118-1919

Secop accepts no responsibility for possible errors in catalogs, brochures, and other printed material. Secop reserves the right to alter its products without notice. This also applies to products already on order provided that such alterations can be made without subsequential changes being necessary to specifications already agreed. All trademarks in this material are the property of the respective companies. Secop and the Secop logotype are trademarks of Secop GmbH. All rights reserved. [www.secop.com](http://www.secop.com)