

Customer specific model

Model

Designation	NLE10CNT	208-230V/60Hz 1~ 220-230V/50Hz 1~	Sales code:	105H6143
-------------	-----------------	-----------------------------------	-------------	-----------------

Compressor design

Oil type	Polyolester	Refrigerant(s)	R290
Oil viscosity	32cSt	Displacement	10,09cm ³ / 0,62cu.in
Oil quantity	300cm ³ / 10,1fl.oz	Compressors on pallet	80
Refr. charge - tech. limit	150g / 5,3oz		
Free gas volume comp.	2360cm ³ / 79,8fl.oz		
Weight	11,8kg / 26lbs		
Motor protection	1# internal		
Winding resistance main	4,47Ω (at 25°C)		
Winding resistance aux	18,69Ω (at 25°C)		
Max. winding temp.	125°C / 257°F		
Max. discharge temp.	120°C / 248°F		



General - Configurations with NLE10CNT

	Conf. 1	Conf. 2
Motorconfiguration	RSCR	RSCR
Power supply (nominal)	208-230V/60Hz	220-230V/50Hz
Number of phases	1	1
Voltage range	187-253V	187-242V
Approvals	UL	UL
Starting torque	LST	LST
Note	Electrical equipment is included and pre-assembled to compressor.	

Applications with NLE10CNT

	Conf. 1	Conf. 2
Refrigerant	R290	R290
Application	LBP+MBP	LBP+MBP
System cooling	fan 3m/s	fan 3m/s
Hot gas defrost	OK	OK
Long interval pull down	OK	OK

Electrical data - Configurations with NLE10CNT

	Conf. 1	Conf. 2
Starting device type	PTC	PTC
Run capacitor	4μF	4μF
Start capacitor	0μF	0μF
LRA (locked rotor amps / 4s)	15,8A	16,6A
RLA (rated load amps / 1s)	2,3A	3A
Cut in current	19,6A	20,7A
IP class	21	21

Customer specific model

Model

Designation

NLE10CNT

208-230V/60Hz 1~ 220-230V/50Hz 1~

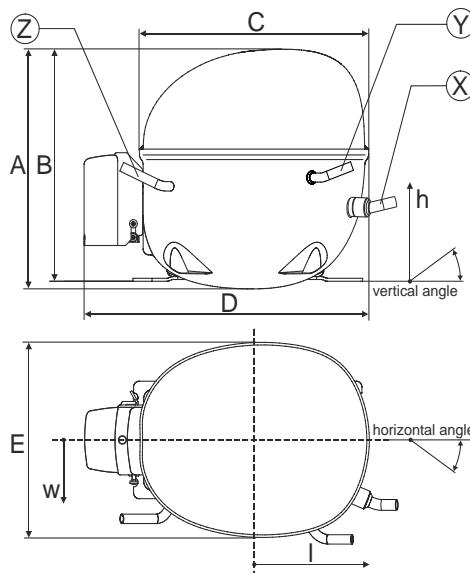
Sales code:

105H6143

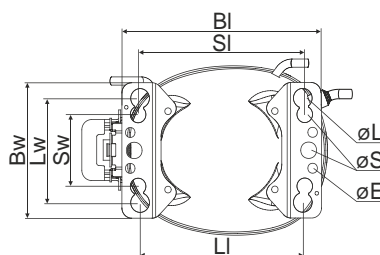
Compressor dimensions

Housing	A Height	203mm / 7,99in
	B Height	197mm / 7,76in
	C Length shell	205mm / 8,07in
	D Length w. cover	254mm / 10in
	E Width	166mm / 6,54in

Connectors		Suction	Discharge	Process
		X	Y	Z
Diameter	[mm]	øi 8,11-8,29	øi 6,41-6,59	øi 6,41-6,59
	(i:inside, o:outside) [in]	øi 0,32-0,33	øi 0,25-0,26	øi 0,25-0,26
Material		copper	copper	copper
Horizontal angle	±2°	0°	0°	0
Vertical angle	±2°	15°	21°	155°
Position l/h/w	[mm]	132/69/56	94/99/86	-111/92/72
	[in]	5,2/2,7/2,2	3,7/3,9/3,4	-4,4/3,6/2,8
Straight tube l.	[mm]	12	12	12
	[in]	0,5	0,5	0,5

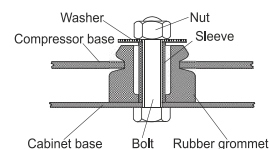


Compressor fixation

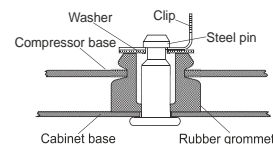


Baseplate	[mm]	[inch]
BI	204	8.03
BW	132	5.2
øE	ø 9.7	ø 0.38
Large holes	[mm]	[inch]
LJ	165	6.5
LW	101.6	4
øL	ø 19	ø 0.75
Small holes	[mm]	[inch]
SI	170	6.7
Sw	70	2.76
øS	ø 16	ø 0.63

Bolt joint



Snap-on



Mounting accessories

	one comp.	multi pack
Bolt joint M6 ø16mm	118-1917	118-1918
Bolt joint ø1/4" ø16mm	118-1946	
Bolt joint ø1/4" ø19mm	118-1949	
Snap-on ø7,3 ø16mm	118-1947	118-1919

Customer specific model

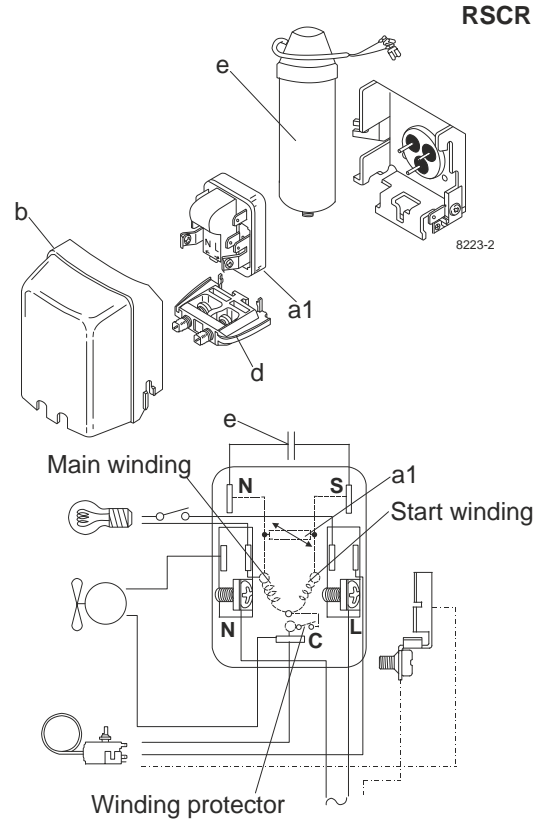
Model

Designation	NLE10CNT	208-230V/60Hz	Conf. 1	Sales code:	105H6143
-------------	-----------------	----------------------	----------------	-------------	-----------------

Configuration

Motorconfiguration	RSCR
Power supply (nominal)	208-230V/60Hz 1~
Refrigerant	R290
Application	LBP+MBP
Voltage range	187-253V
Starting torque	LST
Approvals	UL SA3693

Electrical accessories / wiring diagram

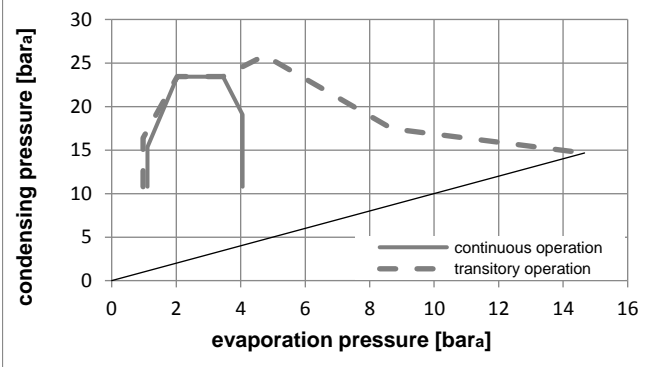
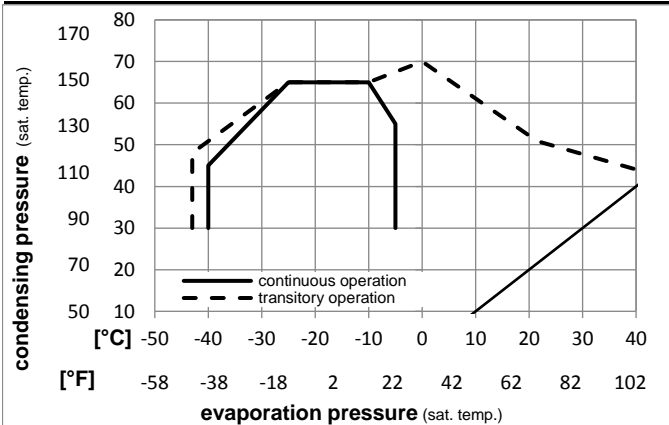


Ambient temperatures / system cooling

Ambient temperature min.:	10°C / 50°F
Ambient temperature max.:	43°C / 110°F

System cooling			
T ambient	LBP	MBP	HBP
32°C / 90°F	fan 3m/s	fan 3m/s	n/a
38°C / 100°F	fan 3m/s	fan 3m/s	n/a
43°C / 110°F	fan 3m/s	fan 3m/s	n/a

Operation pressure range



Components (already pre-assembled)

a1	e-PTC starter (220V, 250hm, 4.8mm)	103N0050
e	run capacitor (4μF, 4.8mm)	117-7119
b	plastic cover	103N2011
d	cord relief	103N1010
	bracket for run capacitor	117-0300
	screw M4x8mm	117-0301

Customer specific model

Model

Designation **NLE10CNT 208-230V/60Hz** Conf. 1 Sales code: **105H6143**

Optimization + standard conditions

208-230V/60Hz 1~, RSCR, fan 3m/s, UL

Evaporating pressure (saturation temperature)														
Condensing pressure (saturation temperature)														
Return gas temp.														
Liquid temp.														
Cooling capacity														
COP														
EER														
Power consumption														
Current consumption														
Ref. mass flow														
	pe	pc	RGT	Tliq	[W]	[Btu/h]	[kcal/h]	[W/W]	[Btu/Wh]	[kcal/Wh]	P1	I	m	
[°C]	[°C]	[°C]	[°C]	[W]	[Btu/h]	[kcal/h]	[W/W]	[Btu/Wh]	[kcal/Wh]	[W]	[A]	[kg/h]		
[°C]	-23,3	54,4	32,2	32,2	614,9	2100	529,2	1,72	5,87	1,48	358,1	2,09	6,23	ASHRAE LBP
[°F]	-10	130	90	90										
[°C]	-25	55	32	55	458,7	1567	394,8	1,33	4,55	1,15	344,0	2,05	5,71	cecomaf LBP
[°F]	-13	131	89,6	131										
[°C]	-35	40	20	40	351,7	1201	302,7	1,36	4,64	1,17	258,9	1,83	4,02	EN12900 LBP
[°F]	-31	104	68	104										
[°C]	-6,66	54,4	35	46,1	1094,0	3736	941,5	2,21	7,55	1,90	494,7	2,51	12,48	ASHRAE MBP
[°F]	20	130	95	115										
[°C]	-10	55	32	55	872,8	2981	751,2	1,85	6,33	1,59	470,9	2,44	11,04	cecomaf MBP
[°F]	14	131	89,6	131										
[°C]	-10	45	20	45	961,2	3283	827,2	2,23	7,61	1,92	431,3	2,30	11,80	EN12900 MBP
[°F]	14	113	68	113										

Performance tables

208-230V/60Hz 1~, RSCR, fan 3m/s, UL

	pe	Cooling capacity			COP			EER			P1	I	m
	[°C]	[°F]	[W]	[Btu/h]	[kcal/h]	[W/W]	[Btu/Wh]	[kcal/Wh]	[W]	[A]	[kg/h]		
[°C / °F]	-40	-40	256,3	875	220,6	1,12	3,83	0,96	228,6	1,77	2,87		
cond. pressure	-34,4	-30	344,8	1177	296,7	1,30	4,43	1,12	265,8	1,85	3,86		
pc= 45/113	-28,9	-20	453,7	1549	390,4	1,49	5,09	1,28	304,3	1,94	5,10		
return gas temp.	-23,3	-10	584,8	1997	503,3	1,70	5,82	1,47	343,1	2,04	6,60		
RGT= 32/90	-20,6	-5	659,2	2251	567,3	1,82	6,21	1,57	362,3	2,10	7,46		
liquid temp	-15	5	826,9	2824	711,7	2,07	7,07	1,78	399,6	2,21	9,41		
Tliq= 45/113	-5	23	1197,3	4089	1030,4	2,60	8,88	2,24	460,4	2,39	13,78		
[°C / °F]	-40	-40	183,0	625	157,5	0,85	2,89	0,73	216,4	1,72	2,26		
cond. pressure	-34,4	-30	271,2	926	233,4	1,03	3,53	0,89	262,5	1,83	3,35		
pc= 55/131	-28,9	-20	375,4	1282	323,0	1,21	4,13	1,04	310,2	1,95	4,66		
return gas temp	-23,3	-10	497,2	1698	427,9	1,39	4,74	1,19	358,5	2,09	6,20		
RGT= 32/90	-20,6	-5	565,4	1931	486,6	1,48	5,05	1,27	382,6	2,16	7,07		
liquid temp	-15	5	717,2	2449	617,3	1,67	5,70	1,44	430,0	2,31	9,02		
Tliq= 55/131	-5	23	1047,7	3578	901,6	2,06	7,02	1,77	509,6	2,57	13,35		

Customer specific model

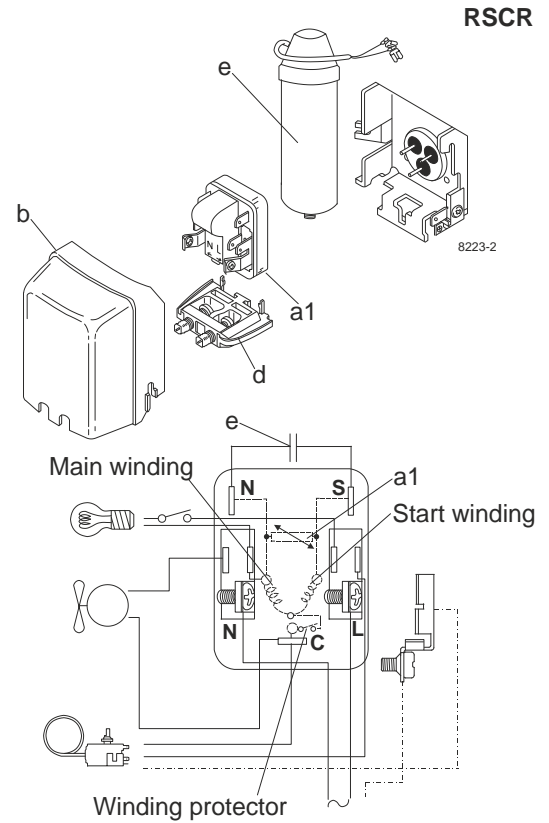
Model

Designation	NLE10CNT	220-230V/50Hz	Conf. 2	Sales code:	105H6143
-------------	-----------------	----------------------	----------------	-------------	-----------------

Configuration

Motorconfiguration	RSCR	
Power supply (nominal)	220-230V/50Hz 1~	
Refrigerant	R290	
Application	LBP+MBP	
Voltage range	187-242V	
Starting torque	LST	
Approvals	UL	SA3693

Electrical accessories / wiring diagram

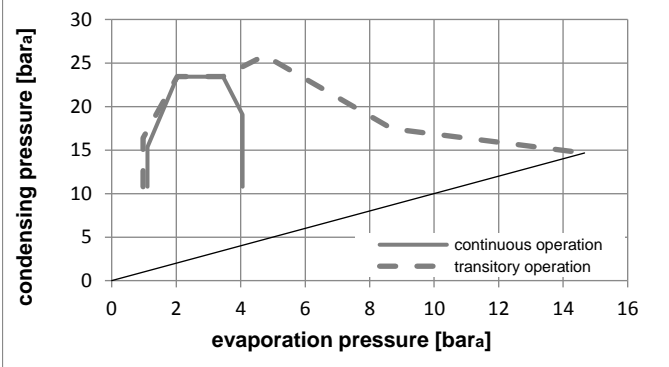
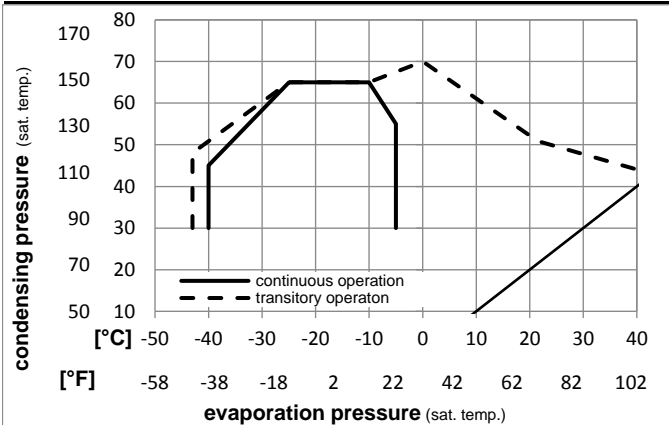


Ambient temperatures / system cooling

Ambient temperature min.:	10°C / 50°F
Ambient temperature max.:	43°C / 110°F

System cooling			
T ambient	LBP	MBP	HBP
32°C / 90°F	fan 3m/s	fan 3m/s	n/a
38°C / 100°F	fan 3m/s	fan 3m/s	n/a
43°C / 110°F	fan 3m/s	fan 3m/s	n/a

Operation pressure range



Components (already pre-assembled)

a1	e-PTC starter (220V, 250hm, 4.8mm)	103N0050
e	run capacitor (4μF, 4.8mm)	117-7119
b	plastic cover	103N2011
d	cord relief	103N1010
	bracket for run capacitor	117-0300
	screw M4x8mm	117-0301

Customer specific model

Model

Designation	NLE10CNT	220-230V/50Hz	Conf. 2	Sales code:	105H6143
-------------	-----------------	----------------------	----------------	-------------	-----------------

Optimization + standard conditions

220-230V/50Hz 1~, RSCR, fan 3m/s, UL

	Evaporating pressure (saturation temperature)				Condensing pressure (saturation temperature)						Power consumption			ASHRAE LBP
	pe	pc	RGT	Tliq	Cooling capacity			COP	EER	P1	I	Ref. mass flow		
	[°C]	[°F]	[°C]	[°F]	[W]	[Btu/h]	[kcal/h]	[W/W]	[Btu/Wh]	[kcal/Wh]	[W]	[A]	[kg/h]	
	-23,3	54,4	32,2	32,2	518,0	1769	445,8	1,54	5,25	1,32	337,0	2,50	5,25	ASHRAE LBP
	-10	130	90	90										
	-25	55	32	55	386,2	1319	332,4	1,19	4,08	1,03	323,2	2,45	4,81	cecomaf LBP
	-13	131	89,6	131										
	-35	40	20	40	296,2	1011	254,9	1,23	4,21	1,06	240,0	2,20	3,38	EN12900 LBP
	-31	104	68	104										
	-6,66	54,4	35	46,1	922,8	3151	794,1	1,99	6,79	1,71	464,0	2,98	10,53	ASHRAE MBP
	20	130	95	115										
	-10	55	32	55	736,3	2514	633,6	1,66	5,68	1,43	442,8	2,89	9,31	cecomaf MBP
	14	131	89,6	131										
	-10	45	20	45	807,2	2757	694,7	2,04	6,97	1,76	395,5	2,72	9,91	EN12900 MBP
	14	113	68	113										

Performance tables

220-230V/50Hz 1~, RSCR, fan 3m/s, UL

	pe	Cooling capacity			COP	EER	P1	I	m		
	[°C]	[°F]	[W]	[Btu/h]	[kcal/h]	[W/W]	[Btu/Wh]	[kcal/Wh]	[W]	[A]	[kg/h]
[°C / °F]	-40	-40	218,2	745	187,8	1,03	3,52	0,89	211,7	2,12	2,44
cond. pressure	-34,4	-30	290,5	992	250,0	1,18	4,01	1,01	247,2	2,22	3,26
pc= 45/113	-28,9	-20	380,8	1300	327,7	1,35	4,60	1,16	282,8	2,32	4,28
return gas temp.	-23,3	-10	490,4	1675	422,0	1,54	5,27	1,33	317,8	2,44	5,54
RGT= 32/90	-20,6	-5	552,9	1888	475,8	1,65	5,64	1,42	334,9	2,50	6,26
liquid temp	-15	5	694,0	2370	597,2	1,89	6,44	1,62	367,8	2,62	7,90
Tliq= 45/113	-5	23	1006,2	3436	865,9	2,39	8,17	2,06	420,9	2,82	11,58
[°C / °F]	-40	-40	153,7	525	132,3	0,80	2,74	0,69	191,6	2,06	1,90
cond. pressure	-34,4	-30	227,8	778	196,1	0,95	3,23	0,81	240,9	2,19	2,82
pc= 55/131	-28,9	-20	315,7	1078	271,7	1,09	3,72	0,94	289,7	2,34	3,92
return gas temp	-23,3	-10	418,8	1430	360,5	1,24	4,24	1,07	337,4	2,50	5,22
RGT= 32/90	-20,6	-5	476,5	1627	410,1	1,32	4,51	1,14	360,5	2,58	5,96
liquid temp	-15	5	604,9	2066	520,6	1,49	5,10	1,28	405,1	2,75	7,61
Tliq= 55/131	-5	23	883,7	3018	760,5	1,85	6,32	1,59	477,7	3,04	11,26