

NLE10CNT Energy-optimized Tropical Compressor R290 220-240V 50/60Hz

General

Code number	105H6179
Approvals	UL984, CB IEC 60335-2-34
Compressors on pallet	80

Application

Application	LBP/MBP			
	Hz	50	60	
Frequency	Hz	50	60	
Evaporating temperature	°C	-35 to 7.2	-35 to 7.2	
Voltage range	V	187 to 242	187 to 253	
Max. condensing temperature continuous (short)	°C	60 (65)	60 (65)	
Max. winding temperature continuous (short)	°C	125 (135)	125 (135)	

Cooling requirements

Frequency	Hz	50			60		
		LBP	MBP	HBP	LBP	MBP	HBP
32°C		F ₂	F ₂	-	F ₂	F ₂	-
38°C		F ₂	F ₂	-	F ₂	F ₂	-
43°C		F ₂	F ₂	-	F ₂	F ₂	-
Remarks on application:							

Motor

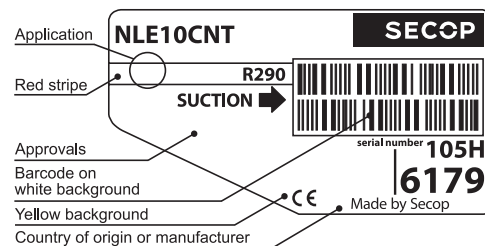
Motor type	CSIR/RSIR/RSCR		
LRA (rated after 4 sec. UL984), HST LST	A	16.4	15.0
Cut in Current, HST LST	A	16.4	18.7
Resistance, main start winding (25°C)	Ω	4.5	18.7

Design

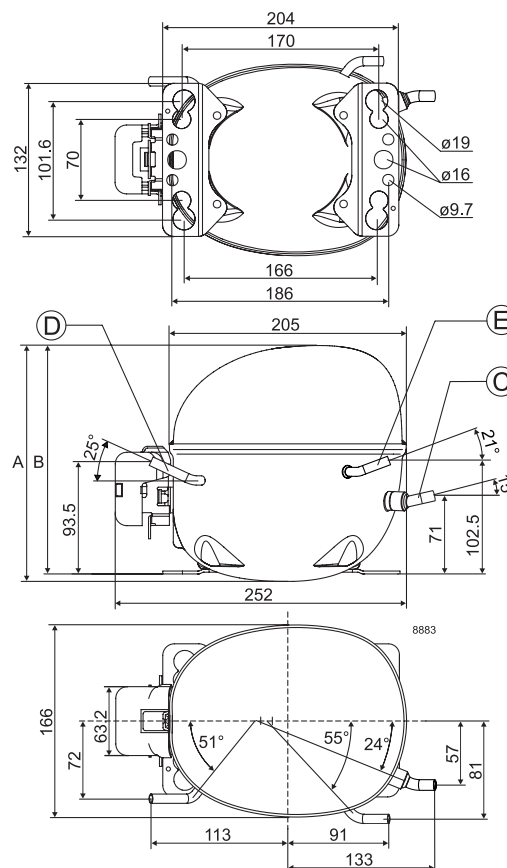
Displacement	cm ³	10.09
Oil quantity (type)	cm ³	300 (polyolester)
Maximum refrigerant charge	g	150
Free gas volume in compressor	cm ³	2360
Weight without electrical equipment	kg	11.8

Dimensions

Height	mm	A	203
		B	197
		B1	-
		B2	-
Suction connector	location/I.D. mm angle	C	8.2 15°
	material comment		Copper Rubber plug
Process connector	location/I.D. mm angle	D	6.5 25°
	material comment		Copper Rubber plug
Discharge connector	location/I.D. mm angle	E	6.5 21°
	material comment		Copper Rubber plug
Oil cooler connector	location/I.D. mm angle	F	-
	material comment		-
Connector tolerance	I.D. mm		±0.09
Remarks:			



- S = Static cooling normally sufficient
- O = Oil cooling
- F₁ = Fan cooling 1.5 m/s (compressor compartment temperature equal to ambient temperature)
- F₂ = Fan cooling 3.0 m/s necessary
- SG = Suction gas cooling normally sufficient
- = not applicable in this area



EN 12900 LBP

220V, 50Hz, CSIR/RSIR, fan cooling F₂

Evap. temp. in °C	-45	-40	-35	-30	-25	-23.3	-20	-15	-10	-6.7	-5	0	5	7.2	10	15	20
Capacity in W			291	369	463	499	574	702	849	956	1015	1201	1408	1505			
Power cons. in W			246	274	303	313	331	358	383	399	406	426	443	449			
Current cons. in A			2.40	2.48	2.58	2.61	2.68	2.78	2.87	2.94	2.97	3.05	3.12	3.14			
COP in W/W			1.19	1.35	1.53	1.60	1.73	1.96	2.21	2.40	2.50	2.82	3.18	3.36			

EN 12900 MBP

220V, 50Hz, CSIR/RSIR, fan cooling F₂

Evap. temp. in °C	-45	-40	-35	-30	-25	-23.3	-20	-15	-10	-6.7	-5	0	5	7.2	10	15	20
Capacity in W			268	343	433	466	537	658	795	896	951	1124	1317	1408			
Power cons. in W			249	282	314.5	326	347	378	407	425	434	457	477	485			
Current cons. in A			2.41	2.51	2.62	2.66	2.74	2.85	2.97	3.04	3.08	3.18	3.27	3.30			
COP in W/W			1.08	1.22	1.38	1.43	1.55	1.74	1.95	2.11	2.19	2.46	2.76	2.90			

ASHRAE LBP

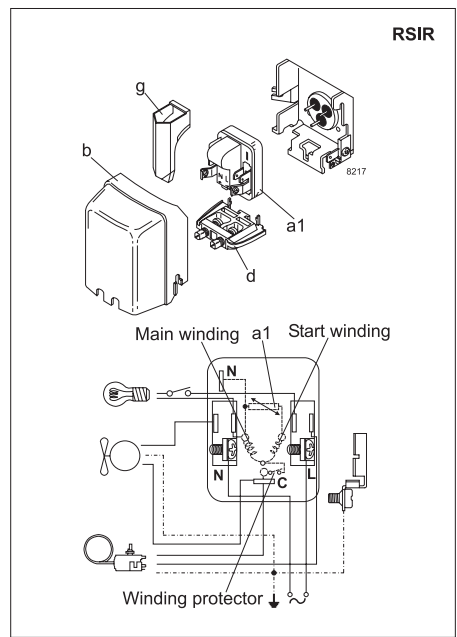
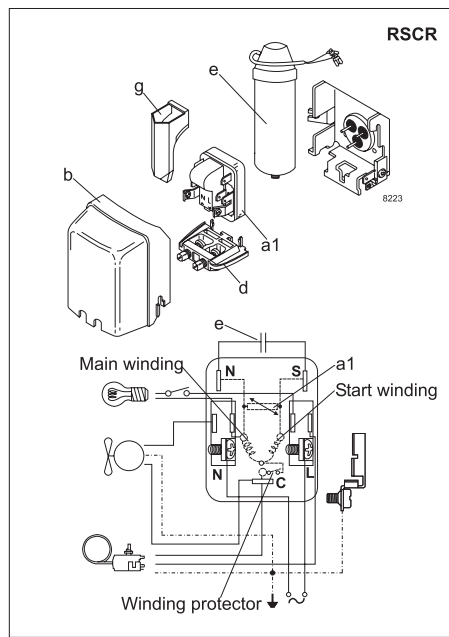
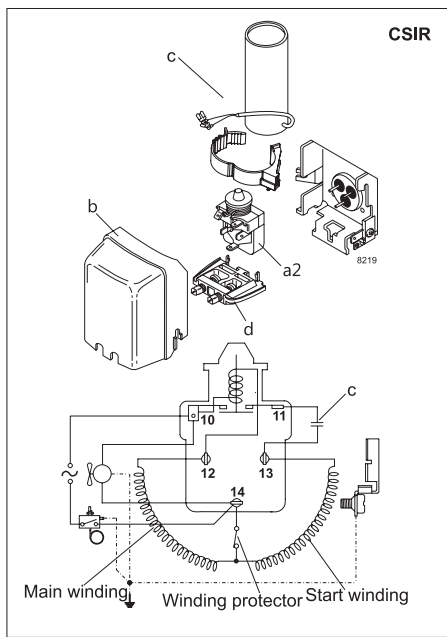
220V, 50Hz, CSIR/RSIR, fan cooling F₂

Evap. temp. in °C	-45	-40	-35	-30	-25	-23.3	-20	-15	-10	-6.7	-5	0	5	7.2	10	15	20
Capacity in W			270	363	470	511	594	735	895	1012	1076	1278	1503	1610			
Power cons. in W			244	286	329	343	370	410	448	472	484	516	544	556			
Current cons. in A			2.38	2.52	2.68	2.73	2.83	2.99	3.15	3.25	3.30	3.44	3.57	3.63			
COP in W/W			1.11	1.27	1.43	1.49	1.61	1.79	2.00	2.15	2.22	2.48	2.76	2.90			

ASHRAE MBP

220V, 50Hz, CSIR/RSIR, fan cooling F₂

Evap. temp. in °C	-45	-40	-35	-30	-25	-23.3	-20	-15	-10	-6.7	-5	0	5	7.2	10	15	20
Capacity in W			242	325	422	458	532	659	802	906	963	1143	1344	1440			
Power cons. in W			244	286	329	343	370	410	448	472	484	516	544	556			
Current cons. in A			2.38	2.52	2.68	2.73	2.83	2.99	3.15	3.25	3.30	3.44	3.57	3.63			
COP in W/W			0.99	1.14	1.28	1.34	1.44	1.61	1.79	1.92	1.99	2.20	2.47	2.59			



Accessories for	NLE10CNT	Figure	Code number
PTC starting device	6.3 mm spade connectors	a1	-
	4.8 mm spade connectors		-
ePTC starting device	4.8 mm spade connectors		103N0050
Starting relay	6.3 mm spade connectors	a2	117U7050
Start. capacitor 60 µF	6.3 mm spade connectors	c	117U5014
Cover		b	103N2010
Run capacitor 4 µF (optional)	6.3 mm spade connectors	e	-
	4.8 mm spade connectors		117-7119
Cord relief		d	103N1010
Protection screen for PTC		g	-

Test conditions	EN 12900		ASHRAE	
	LBP	MBP	LBP	MBP
Condensing temperature	40°C	45°C	54.4°C	54.4°C
Ambient temperature	32°C	32°C	32.2°C	35°C
Suction gas temperature	20°C	20°C	32.2°C	35°C
Liquid temperature	no subcooling		32.2°C	46.1°C

Mounting accessories	Code number	
Bolt joint for one comp.	Ø: 16 mm	118-1917
Bolt joint in quantities	Ø: 16 mm	118-1918
Snap-on in quantities	Ø: 16 mm	118-1919

EN 12900 LBP

230V, 60Hz, CSIR/RSIR, fan cooling F₂

Evap. temp. in °C	-45	-40	-35	-30	-25	-23.3	-20	-15	-10	-6.7	-5	0	5	7.2	10	15	20
Capacity in W			347	441	553	596	685	838	1012	1140	1210	1431	1676	1792			
Power cons. in W			269	301	334	345	366	397	426	443	452	474	492	499			
Current cons. in A			2.06	2.15	2.24	2.28	2.34	2.44	2.54	2.60	2.63	2.71	2.79	2.81			
COP in W/W			1.29	1.46	1.66	1.73	1.87	2.11	2.38	2.57	2.68	3.02	3.41	3.59			

EN 12900 MBP

230V, 60Hz, CSIR/RSIR, fan cooling F₂

Evap. temp. in °C	-45	-40	-35	-30	-25	-23.3	-20	-15	-10	-6.7	-5	0	5	7.2	10	15	20
Capacity in W			319	409	515	556	640	784	947	1066	1131	1338	1567	1675			
Power cons. in W			272	308	344	356	380	415	448	468	478	504	527	535			
Current cons. in A			2.06	2.16	2.27	2.31	2.39	2.50	2.61	2.69	2.72	2.82	2.91	2.95			
COP in W/W			1.17	1.33	1.50	1.56	1.68	1.89	2.12	2.28	2.37	2.65	2.97	3.13			

ASHRAE LBP

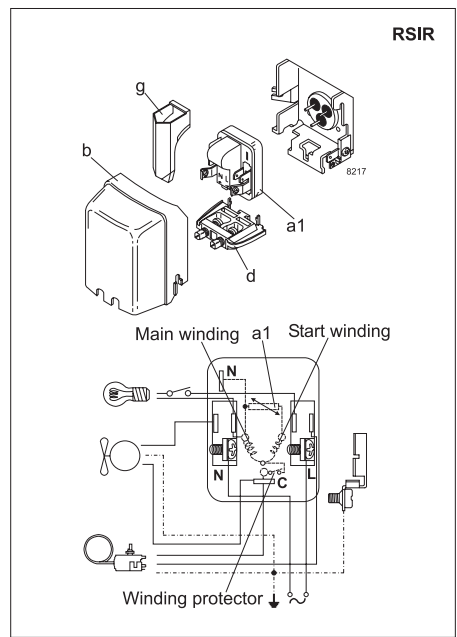
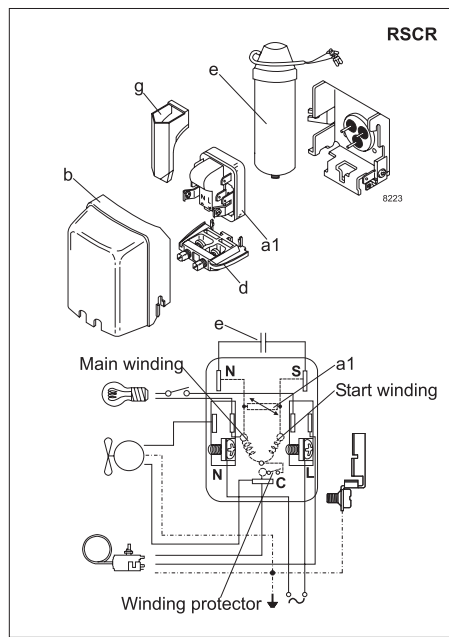
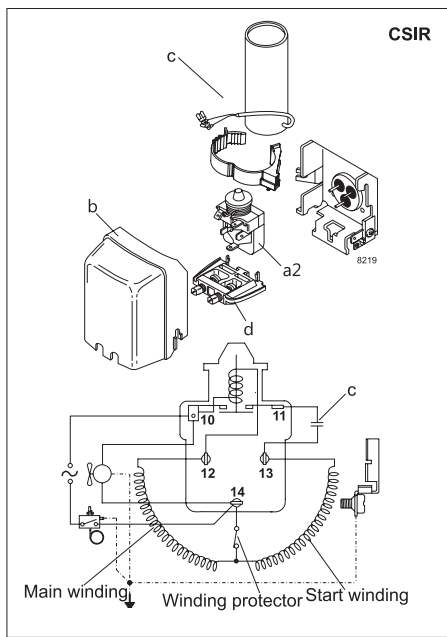
230V, 60Hz, CSIR/RSIR, fan cooling F₂

Evap. temp. in °C	-45	-40	-35	-30	-25	-23.3	-20	-15	-10	-6.7	-5	0	5	7.2	10	15	20
Capacity in W			321	432	559	607	706	874	1064	1203	1278	1519	1787	1915			
Power cons. in W			268	312	357	372	401	445	487	513	526	562	594	607			
Current cons. in A			2.03	2.17	2.31	2.36	2.46	2.61	2.76	2.86	2.91	3.05	3.18	3.23			
COP in W/W			1.20	1.38	1.57	1.63	1.76	1.97	2.19	2.34	2.43	2.70	3.01	3.15			

ASHRAE MBP

230V, 60Hz, CSIR/RSIR, fan cooling F₂

Evap. temp. in °C	-45	-40	-35	-30	-25	-23.3	-20	-15	-10	-6.7	-5	0	5	7.2	10	15	20
Capacity in W			288	387	501	544	633	783	953	1077	1144	1359	1598	1711			
Power cons. in W			268	312	357	372	401	445	487	513	526	562	594	607			
Current cons. in A			2.03	2.17	2.31	2.36	2.46	2.61	2.76	2.86	2.91	3.05	3.18	3.23			
COP in W/W			1.07	1.24	1.41	1.46	1.58	1.76	1.96	2.10	2.18	2.42	2.69	2.82			



Accessories for	NLE10CNT	Figure	Code number
PTC starting device	6.3 mm spade connectors	a1	-
	4.8 mm spade connectors		-
ePTC starting device	4.8 mm spade connectors		103N0050
Starting relay	6.3 mm spade connectors	a2	117U7050
Start. capacitor 80 µF	6.3 mm spade connectors	c	117U5014
Cover		b	103N2010
Run capacitor 4 µF (optional)	6.3 mm spade connectors	e	-
	4.8 mm spade connectors		117-7119
Cord relief		d	103N1010
Protection screen for PTC		g	-

Test conditions	EN 12900		ASHRAE	
	LBP	MBP	LBP	MBP
Condensing temperature	40°C	45°C	54.4°C	54.4°C
Ambient temperature	32°C	32°C	32.2°C	35°C
Suction gas temperature	20°C	20°C	32.2°C	35°C
Liquid temperature	no subcooling		32.2°C	46.1°C

Mounting accessories	Code number	
Bolt joint for one comp.	Ø: 16 mm	118-1917
Bolt joint in quantities	Ø: 16 mm	118-1918
Snap-on in quantities	Ø: 16 mm	118-1919

Nidec GA Compressors accepts no responsibility for possible errors in catalogs, brochures, and other printed material. Nidec GA Compressors reserves the right to alter its products without notice. This also applies to products already on order provided that such alterations can be made without subsequential changes being necessary to specifications already agreed. All trademarks in this material are the property of the respective companies. Secop and the Secop logotype are trademarks of Nidec Global Appliance Germany GmbH. All rights reserved. www.secop.com