

## Model

Designation	<b>NLE10MF</b>	<b>220-240V/50Hz 1~</b>	Sales code:	<b>105G6888</b>
-------------	----------------	-------------------------	-------------	-----------------

## Compressor design

Oil type	Polyolester	Refrigerant(s)	<b>R134a</b>
Oil viscosity	19,2cSt	Displacement	10,09cm <sup>3</sup> / 0,62cu.in
Oil quantity	322cm <sup>3</sup> / 10,9fl.oz	Compressors on pallet	80
Refr. charge - tech. limit	400g / 14,1oz		
Free gas volume comp.	2360cm <sup>3</sup> / 79,8fl.oz		
Weight	10,5kg / 23,1lbs		
Motor protection	1# internal		
Winding resistance main	6,1Ω (at 25°C)		
Winding resistance aux	16Ω (at 25°C)		
Max. winding temp.	125°C / 257°F		
Max. discharge temp.	110°C / 230°F		



## General - Configurations with NLE10MF

	<b>Conf. 1</b>	<b>Conf. 2</b>
Motorconfiguration	CSIR	RSIR
Power supply (nominal)	220-240V/50Hz	220-240V/50Hz
Number of phases	1	1
Voltage range	198-254V	198-254V
Approvals	VDE	VDE
Starting torque	HST	LST
Note	- / -	

## Applications with NLE10MF

	<b>Conf. 1</b>	<b>Conf. 2</b>
Refrigerant	R134a	R134a
Application	LBP+MBP	LBP+MBP
System cooling	fan 1,5m/s	fan 1,5m/s
Hot gas defrost	-/-	-/-
Long interval pull down	OK	OK

## Electrical data - Configurations with NLE10MF

	<b>Conf. 1</b>	<b>Conf. 2</b>
Starting device type	relay	PTC
Run capacitor	0μF	0μF
Start capacitor	80μF	0μF
LRA (locked rotor amps / 4s)	13,7A	12,1A
RLA (rated load amps / 1s)	2,5A	2,5A
Cut in current	13,7A	15,6A
IP class	21	21

## Model

Designation

**NLE10MF**

220-240V/50Hz 1~

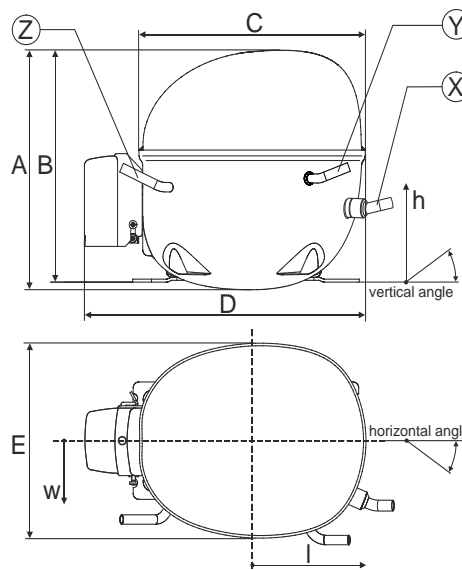
Sales code:

**105G6888**

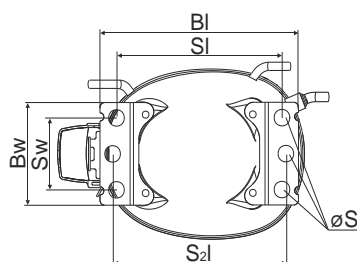
## Compressor dimensions

Housing	A Height	203mm / 7,99in
	B Height	197mm / 7,76in
	C Length shell	205mm / 8,07in
	D Length w. cover	254mm / 10in
	E Width	166mm / 6,54in

Connectors		Suction	Discharge	Process
		X	Y	Z
Diameter	[mm]	øi 8,11-8,29	øi 6,11-6,29	øi 6,11-6,29
	(i:inside, o:outside) [in]	øi 0,32-0,33	øi 0,24-0,25	øi 0,24-0,25
Material		copper	copper	copper
Horizontal angle	±2°	0°	0°	0
Vertical angle	±2°	15°	35°	155°
Position l/h/w	[mm]	126/76/78	133/103/54	-107/94/72
	[in]	5/3/3,1	5,2/4/2,1	-4,2/3,7/2,8
Straight tube l.	[mm]	12	12	12
	[in]	0,5	0,5	0,5

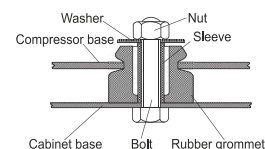


## Compressor fixation

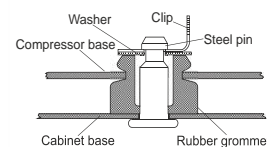


Baseplate	[mm]	[inch]
BI	204	8.03
Bw	100	3.94
Small holes		
SI	170	6.7
Sw	70	2.76
S1	178	7
øS	ø 16	ø 0.63

### Bolt joint



### Snap-on



## Mounting accessories

	one comp.	multi pack
Bolt joint   M6   ø16mm	118-1917	118-1918
Bolt joint   ø1/4"   ø16mm	118-1946	
Snap-on   ø7,3   ø16mm	118-1947	118-1919

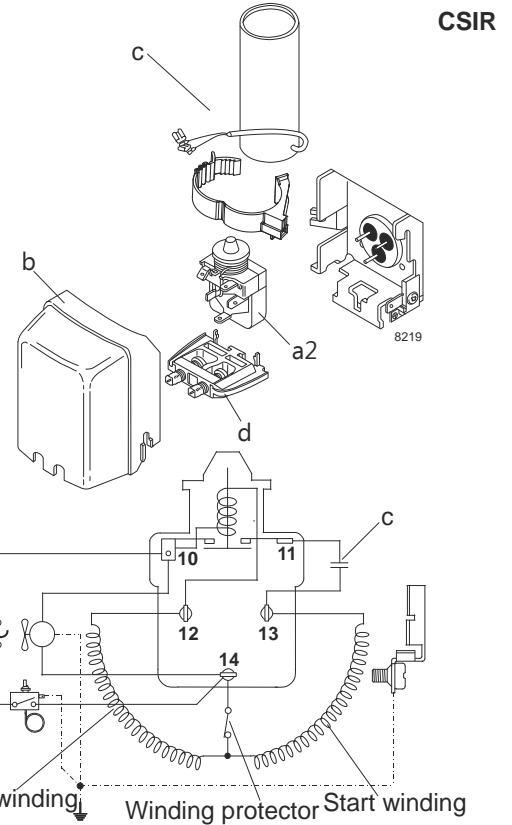
## Model

Designation	<b>NLE10MF</b>	<b>220-240V/50Hz</b>	<b>Conf. 1</b>	Sales code:	<b>105G6888</b>
-------------	----------------	----------------------	----------------	-------------	-----------------

## Configuration

Motorconfiguration	CSIR
Power supply (nominal)	220-240V/50Hz 1~
Refrigerant	R134a
Application	LBP+MBP
Voltage range	198-254V
Starting torque	HST
Approvals	VDE

## Electrical accessories / wiring diagram

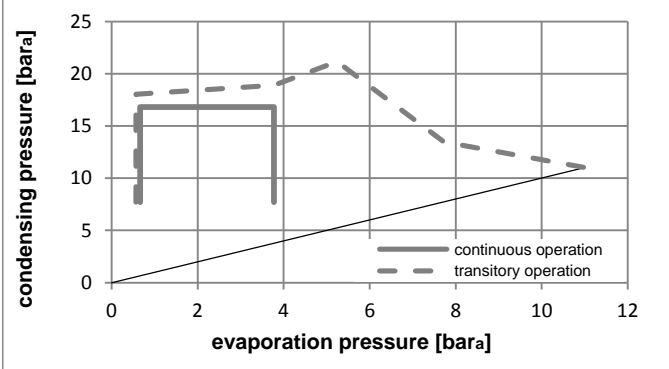
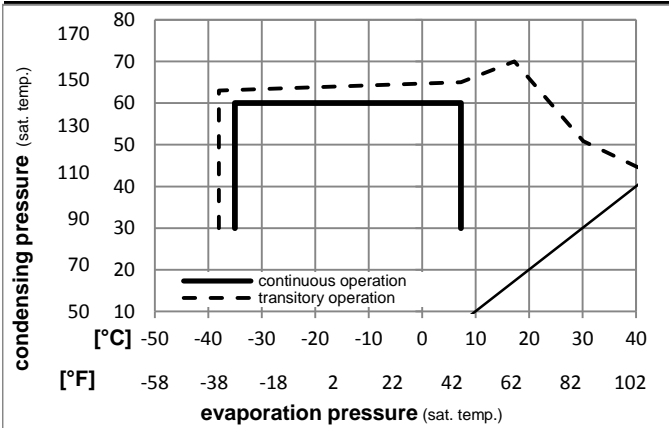


## Ambient temperatures / system cooling

Ambient temperature min.:	10°C / 50°F
Ambient temperature max.:	43°C / 110°F

System cooling			
T ambient	LBP	MBP	HBP
32°C / 90°F	fan 1,5m/s	fan 1,5m/s	n/a
38°C / 100°F	fan 1,5m/s	fan 1,5m/s	n/a
43°C / 110°F	fan 1,5m/s	fan 1,5m/s	n/a

## Operation pressure range



### Components:

a2	assy. relay	117U6003
c	start capacitor (80µF)	117U5015
b	plastic cover	103N2010
d	cord relief	103N1010

### Alternative components:

b	plastic cover	103N2011
---	---------------	----------

## Model

Designation **NLE10MF 220-240V/50Hz** Conf. 1 Sales code: **105G6888**

## Optimization + standard conditions

220-240V/50Hz 1~, CSIR, fan 1,5m/s, VDE

	Evaporating pressure (saturation temperature)				Condensing pressure (saturation temperature)						Power consumption			ASHRAE MBP				
	pe	pc	RGT	Tliq	Cooling capacity			COP	EER	P1	I	Ref. mass flow						
	[°C]	[°F]	[°C]	[°F]	[W]	[Btu/h]	[kcal/h]	[W/W]	[Btu/Wh]	[kcal/Wh]	[W]	[A]	[kg/h]					
	-6,66	20	54,4	130	35	95	46,1	115	568,9	1943	489,6	1,71	5,84	1,47	332,8	2,10	12,41	
	-10	14	55	131	32	89,6	55	131	439,5	1501	378,3	1,43	4,87	1,23	308,0	2,00	10,63	cecomaf MBP
	-10	14	45	113	20	68	45	113	495,8	1693	426,7	1,69	5,78	1,46	292,9	1,92	11,61	EN12900 MBP
	-6,66	20	48,9	120	18,3	65	48,9	120	540,5	1846	465,2	1,68	5,73	1,44	322,3	2,05	13,35	ARI540 MBP
	-10	14	45	113	32	89,6	45	113	514,4	1757	442,7	1,76	6,00	1,51	292,9	1,92	11,26	opt
	-25	-13	45	113	32	89,6	45	113	237,1	810	204,0	1,21	4,14	1,04	195,5	1,62	5,14	opt

## Performance tables

220-240V/50Hz 1~, CSIR, fan 1,5m/s, VDE

	pe	Cooling capacity			COP	EER	P1	I	m		
	[°C]	[°F]	[W]	[Btu/h]	[kcal/h]	[W/W]	[Btu/Wh]	[kcal/Wh]	[W]	[A]	[kg/h]
[°C / °F]	-35	-31	120,6	412	103,8	0,88	3,01	0,76	136,9	1,52	2,60
cond. pressure	-25	-13	237,1	810	204,0	1,21	4,14	1,04	195,5	1,62	5,14
pc= 45/113	-15	5	405,0	1383	348,6	1,56	5,33	1,34	259,7	1,80	8,83
return gas temp.	-10	14	514,4	1757	442,7	1,76	6,00	1,51	292,9	1,92	11,26
RGT= 32/90	-5	23	643,9	2199	554,2	1,97	6,74	1,70	326,5	2,05	14,16
liquid temp	0	32	796,0	2719	685,1	2,21	7,55	1,90	360,0	2,21	17,60
Tliq= 45/113	7,2	45	1059,6	3619	911,9	2,60	8,88	2,24	407,5	2,48	23,67
[°C / °F]	-35	-31	88,0	301	75,7	0,66	2,25	0,57	133,7	1,43	2,09
cond. pressure	-25	-13	194,5	664	167,4	0,98	3,36	0,85	197,9	1,60	4,65
pc= 55/131	-15	5	343,2	1172	295,4	1,27	4,34	1,09	270,0	1,84	8,26
return gas temp	-10	14	439,5	1501	378,3	1,43	4,87	1,23	308,0	2,00	10,63
RGT= 32/90	-5	23	553,7	1891	476,5	1,60	5,45	1,37	346,9	2,17	13,46
liquid temp	0	32	688,1	2350	592,2	1,78	6,08	1,53	386,3	2,36	16,83
Tliq= 55/131	7,2	45	922,1	3149	793,6	2,08	7,11	1,79	443,1	2,67	22,81

## Model

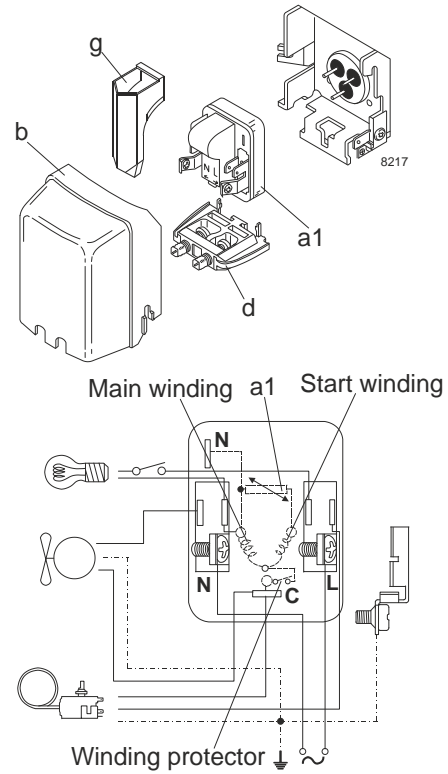
Designation	<b>NLE10MF</b>	<b>220-240V/50Hz</b>	<b>Conf. 2</b>	Sales code:	<b>105G6888</b>
-------------	----------------	----------------------	----------------	-------------	-----------------

## Configuration

Motorconfiguration	RSIR
Power supply (nominal)	220-240V/50Hz 1~
Refrigerant	R134a
Application	LBP+MBP
Voltage range	198-254V
Starting torque	LST
Approvals	VDE

## Electrical accessories / wiring diagram

RSIR

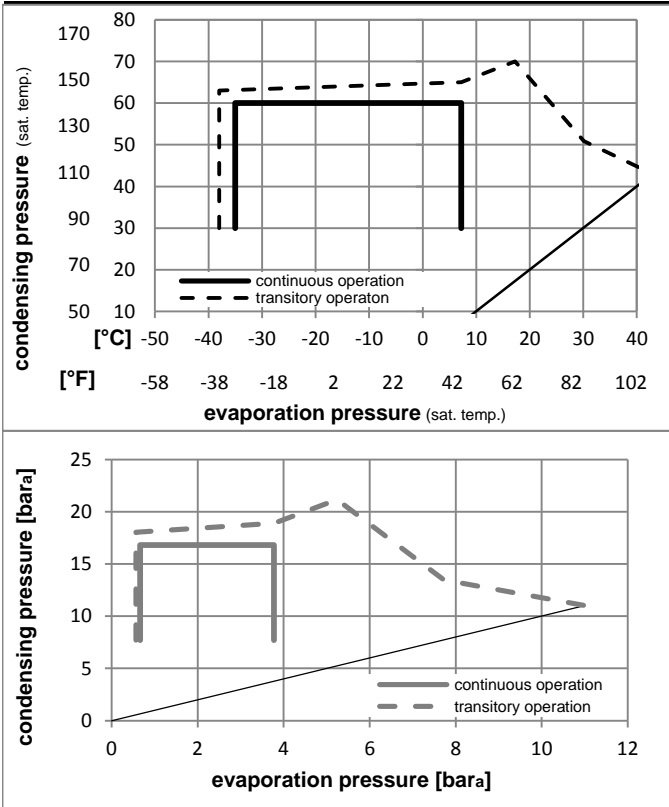


## Ambient temperatures / system cooling

Ambient temperature min.:	10°C / 50°F
Ambient temperature max.:	43°C / 110°F

System cooling			
T ambient	LBP	MBP	HBP
32°C / 90°F	fan 1,5m/s	fan 1,5m/s	n/a
38°C / 100°F	fan 1,5m/s	fan 1,5m/s	n/a
43°C / 110°F	fan 1,5m/s	fan 1,5m/s	n/a

## Operation pressure range



### Components:

a1	PTC starter (220V, 250hm, 4.8mm)	103N0018
b	plastic cover	103N2010
d	cord relief	103N1010
g	protection screen for PTC	103N0476

### Alternative components:

a1	PTC starter (220V, 250hm, 6.3mm)	103N0011
b	plastic cover	103N2011
d	cord relief	103N1010
g	protection screen for PTC	103N0476

### Model

Designation	<b>NLE10MF</b>	<b>220-240V/50Hz</b>	<b>Conf. 2</b>	Sales code:	<b>105G6888</b>
-------------	----------------	----------------------	----------------	-------------	-----------------

### Optimization + standard conditions

220-240V/50Hz 1~, RSIR, fan 1,5m/s, VDE

	Evaporating pressure (saturation temperature)				Condensing pressure (saturation temperature)						Power consumption			ASHRAE MBP				
	pe	pc	RGT	Tliq	Cooling capacity			COP	EER	P1	I	Ref. mass flow						
	[°C]	[°F]	[°C]	[°F]	[W]	[Btu/h]	[kcal/h]	[W/W]	[Btu/Wh]	[kcal/Wh]	[W]	[A]	[kg/h]					
	-6,66	20	54,4	130	35	95	46,1	115	568,9	1943	489,6	1,71	5,84	1,47	332,8	2,10	12,41	ASHRAE MBP
	-10	14	55	131	32	89,6	55	131	439,5	1501	378,3	1,43	4,87	1,23	308,0	2,00	10,63	cecomaf MBP
	-10	14	45	113	20	68	45	113	495,8	1693	426,7	1,69	5,78	1,46	292,9	1,92	11,61	EN12900 MBP
	-6,66	20	48,9	120	18,3	65	48,9	120	540,5	1846	465,2	1,68	5,73	1,44	322,3	2,05	13,35	ARI540 MBP
	-10	14	45	113	32	89,6	45	113	514,4	1757	442,7	1,76	6,00	1,51	292,9	1,92	11,26	opt
	-25	-13	45	113	32	89,6	45	113	237,1	810	204,0	1,21	4,14	1,04	195,5	1,62	5,14	opt

### Performance tables

220-240V/50Hz 1~, RSIR, fan 1,5m/s, VDE

	pe	Cooling capacity			COP	EER	P1	I	m		
	[°C]	[°F]	[W]	[Btu/h]	[kcal/h]	[W/W]	[Btu/Wh]	[kcal/Wh]	[W]	[A]	[kg/h]
[°C / °F]	-35	-31	120,6	412	103,8	0,88	3,01	0,76	136,9	1,52	2,60
cond. pressure	-25	-13	237,1	810	204,0	1,21	4,14	1,04	195,5	1,62	5,14
pc= 45/113	-15	5	405,0	1383	348,6	1,56	5,33	1,34	259,7	1,80	8,83
return gas temp.	-10	14	514,4	1757	442,7	1,76	6,00	1,51	292,9	1,92	11,26
RGT= 32/90	-5	23	643,9	2199	554,2	1,97	6,74	1,70	326,5	2,05	14,16
liquid temp	0	32	796,0	2719	685,1	2,21	7,55	1,90	360,0	2,21	17,60
Tliq= 45/113	7,2	45	1059,6	3619	911,9	2,60	8,88	2,24	407,5	2,48	23,67
[°C / °F]	-35	-31	88,0	301	75,7	0,66	2,25	0,57	133,7	1,43	2,09
cond. pressure	-25	-13	194,5	664	167,4	0,98	3,36	0,85	197,9	1,60	4,65
pc= 55/131	-15	5	343,2	1172	295,4	1,27	4,34	1,09	270,0	1,84	8,26
return gas temp	-10	14	439,5	1501	378,3	1,43	4,87	1,23	308,0	2,00	10,63
RGT= 32/90	-5	23	553,7	1891	476,5	1,60	5,45	1,37	346,9	2,17	13,46
liquid temp	0	32	688,1	2350	592,2	1,78	6,08	1,53	386,3	2,36	16,83
Tliq= 55/131	7,2	45	922,1	3149	793,6	2,08	7,11	1,79	443,1	2,67	22,81