

Model

Designation	NLE11CNL	115-127V/60Hz 1~	Sales code:	105H5981
-------------	-----------------	------------------	-------------	-----------------

Compressor design

Oil type	Polyolester	Refrigerant(s)	R290
Oil viscosity	32cSt	Displacement	11,15cm ³ / 0,68cu.in
Oil quantity	300cm ³ / 10,1fl.oz	Compressors on pallet	80
Refr. charge - tech. limit	150g / 5,3oz		
Free gas volume comp.	2360cm ³ / 79,8fl.oz		
Weight	12,13kg / 26,7lbs		
Motor protection	1# internal		
Winding resistance main	1,1Ω (at 25°C)		
Winding resistance aux	3,61Ω (at 25°C)		
Max. winding temp.	125°C / 257°F		
Max. discharge temp.	130°C / 266°F		



General - Configurations with NLE11CNL

	Conf. 1	Conf. 2
Motorconfiguration	CSIR	RSCR
Power supply (nominal)	115V/60Hz	115V/60Hz
Number of phases	1	1
Voltage range	95-135V	95-135V
Approvals	UL, CCC	UL, CCC
Starting torque	HST	LST
Note	- / -	

Applications with NLE11CNL

	Conf. 1	Conf. 2
Refrigerant	R290	R290
Application	LBP	LBP
System cooling	fan 3m/s	fan 3m/s
Hot gas defrost	OK	OK
Long interval pull down	- / -	- / -

Electrical data - Configurations with NLE11CNL

	Conf. 1	Conf. 2
Starting device type	relay	PTC
Run capacitor	- / -	23,5μF
Start capacitor	180μF	- / -
LRA (locked rotor amps / 4s)	28,67A	29,91A
RLA (rated load amps / 1s)	5,74A	5,74A
Cut in current	28,67A	39,82A
IP class	21	21

Model

Designation

NLE11CNL

115-127V/60Hz 1~

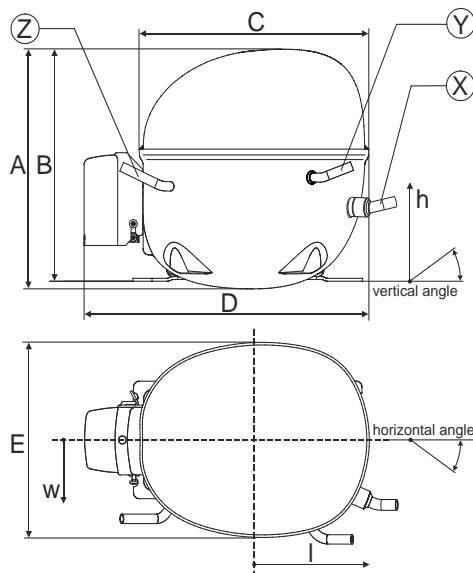
Sales code:

105H5981

Compressor dimensions

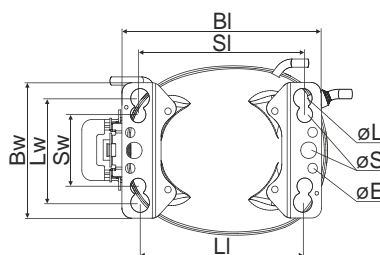
Housing	A Height	203mm / 7,99in
	B Height	197mm / 7,76in
	C Length shell	205mm / 8,07in
	D Length w. cover	254mm / 10in
	E Width	166mm / 6,54in

Connectors		Suction	Discharge	Process
		X	Y	Z
Diameter	[mm]	øi 8,11-8,29	øi 6,41-6,59	øi 6,41-6,59
	(i:inside, o:outside) [in]	øi 0,32-0,33	øi 0,25-0,26	øi 0,25-0,26
Material		copper	copper	copper
Horizontal angle	±2°	22°	0°	0
Vertical angle	±2°	45°	35°	155°
Position l/h/w	[mm]	128/79/61	88/95/85	-112/97/68
	[in]	5/3,1/2,4	3,5/3,7/3,3	-4,4/3,8/2,7
Straight tube l.	[mm]	12	12	12
	[in]	0,5	0,5	0,5

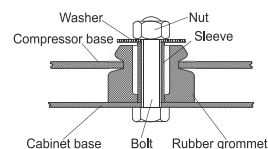


Compressor fixation

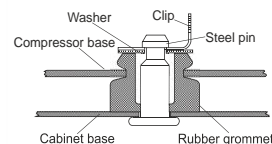
Bolt joint



Baseplate	[mm]	[inch]
BI	204	8.03
BW	132	5.2
øE	ø 9.7	ø 0.38
Large holes	[mm]	[inch]
LJ	165	6.5
Lw	101.6	4
øL	ø 19	ø 0.75
Small holes	[mm]	[inch]
SI	170	6.7
Sw	70	2.76
øS	ø 16	ø 0.63



Snap-on



Mounting accessories

	one comp.	multi pack
Bolt joint M6 ø16mm	118-1917	118-1918
Bolt joint ø1/4" ø16mm	118-1946	
Bolt joint ø1/4" ø19mm	118-1949	
Snap-on ø7,3 ø16mm	118-1947	118-1919

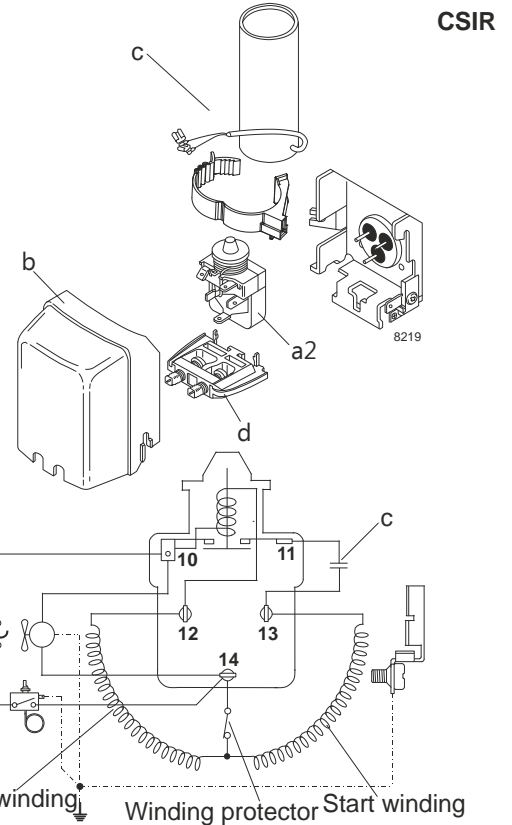
Model

Designation	NLE11CNL 115V/60Hz	Conf. 1	Sales code:	105H5981
-------------	---------------------------	---------	-------------	-----------------

Configuration

Motorconfiguration	CSIR		
Power supply (nominal)	115V/60Hz 1~		
Refrigerant	R290		
Application	LBP		
Voltage range	95-135V		
Starting torque	HST		
Approvals	UL	SA3693	
	CCC		

Electrical accessories / wiring diagram

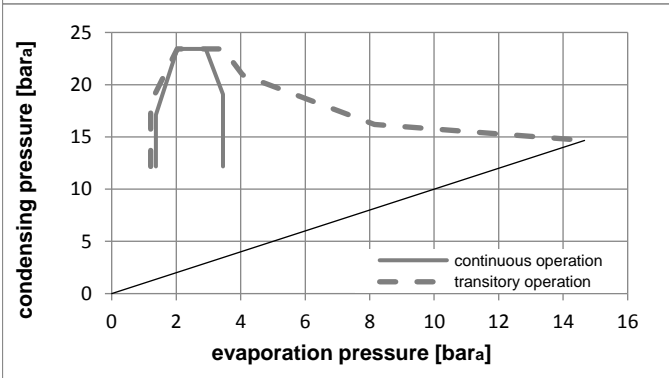
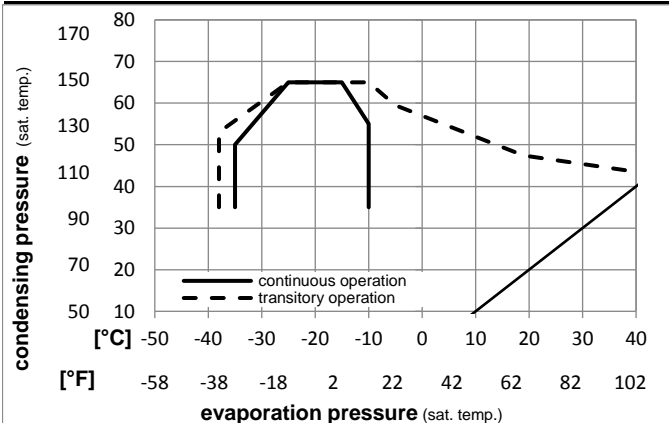


Ambient temperatures / system cooling

Ambient temperature min.:	10°C / 50°F
Ambient temperature max.:	43°C / 110°F

System cooling			
T ambient	LBP	MBP	HBP
32°C / 90°F	fan 3m/s	n/a	n/a
38°C / 100°F	fan 3m/s	n/a	n/a
43°C / 110°F	fan 3m/s	n/a	n/a

Operation pressure range



Components

a2	relay	117U7020
c	start capacitor (180µF)	117U5039
b	plastic cover	103N2011
d	cord relief	103N1010

Model

Designation **NLE11CNL 115V/60Hz** Conf. 1 Sales code: **105H5981**

Optimization + standard conditions

115V/60Hz 1~, CSIR, fan 3m/s, UL, CCC

	Evaporating pressure (saturation temperature)				Condensing pressure (saturation temperature)						Power consumption			ASHRAE LBP
	pe	pc	RGT	Tliq	Cooling capacity			COP	EER		P1	I	Ref. mass flow	
	[°C]	[°F]	[°C]	[°F]	[W]	[Btu/h]	[kcal/h]	[W/W]	[Btu/Wh]	[kcal/Wh]	[W]	[A]	[kg/h]	
	-23,3	54,4	32,2	32,2	670,7	2291	577,2	1,62	5,54	1,40	413,7	4,80	6,79	ASHRAE LBP
	-10	130	90	90										
	-25	55	32	55	502,3	1715	432,3	1,26	4,31	1,09	398,2	4,68	6,25	cecomaf LBP
	-13	131	89,6	131										
	-35	40	20	40	384,3	1312	330,7	1,29	4,41	1,11	297,9	4,04	4,39	EN12900 LBP
	-31	104	68	104										
	-23,3	48,9	4,44	48,9	544,2	1859	468,3	1,35	4,60	1,16	403,8	4,73	7,54	ARI540 LBP
	-10	120	40	120										
	-23,3	40,6	32,2	32,2	723,3	2470	622,5	1,89	6,44	1,62	383,6	4,61	7,32	AHAM LBP
	-10	105	90	90										
	-35	45	32	45	366,5	1252	315,4	1,22	4,18	1,05	299,5	4,05	4,11	opt
	-31	113	89,6	113										

Performance tables

115V/60Hz 1~, CSIR, fan 3m/s, UL, CCC

	pe	Cooling capacity			COP	EER		P1	I	m	
	[°C]	[°F]	[W]	[Btu/h]	[kcal/h]	[W/W]	[Btu/Wh]	[kcal/Wh]	[W]	[A]	[kg/h]
[°C / °F]	-35	-31	366,5	1252	315,4	1,22	4,18	1,05	299,5	4,05	4,11
cond. pressure	-28,9	-20	490,1	1674	421,8	1,40	4,77	1,20	350,9	4,35	5,51
pc= 45/113	-26,1	-15	558,6	1908	480,8	1,50	5,11	1,29	373,2	4,51	6,29
return gas temp.	-23,3	-10	634,4	2167	546,0	1,61	5,48	1,38	395,1	4,67	7,16
RGT= 32/90	-20,6	-5	717,2	2449	617,2	1,72	5,88	1,48	416,9	4,85	8,12
liquid temp	-15	5	902,2	3081	776,4	1,96	6,68	1,68	461,0	5,21	10,26
Tliq= 45/113	-10	14	1089,3	3720	937,4	2,17	7,40	1,87	502,6	5,52	12,46
[°C / °F]	-35	-31	309,9	1058	266,7	1,05	3,59	0,91	294,5	4,07	3,83
cond. pressure	-28,9	-20	416,3	1422	358,3	1,16	3,96	1,00	359,2	4,42	5,17
pc= 55/131	-26,1	-15	476,3	1627	409,9	1,23	4,20	1,06	387,2	4,60	5,93
return gas temp	-23,3	-10	543,1	1855	467,4	1,31	4,47	1,13	414,6	4,80	6,77
RGT= 32/90	-20,6	-5	616,4	2105	530,5	1,40	4,77	1,20	441,6	5,01	7,71
liquid temp	-15	5	781,1	2668	672,3	1,58	5,38	1,36	495,6	5,46	9,82
Tliq= 55/131	-10	14	948,3	3239	816,1	1,74	5,94	1,50	545,5	5,87	12,00

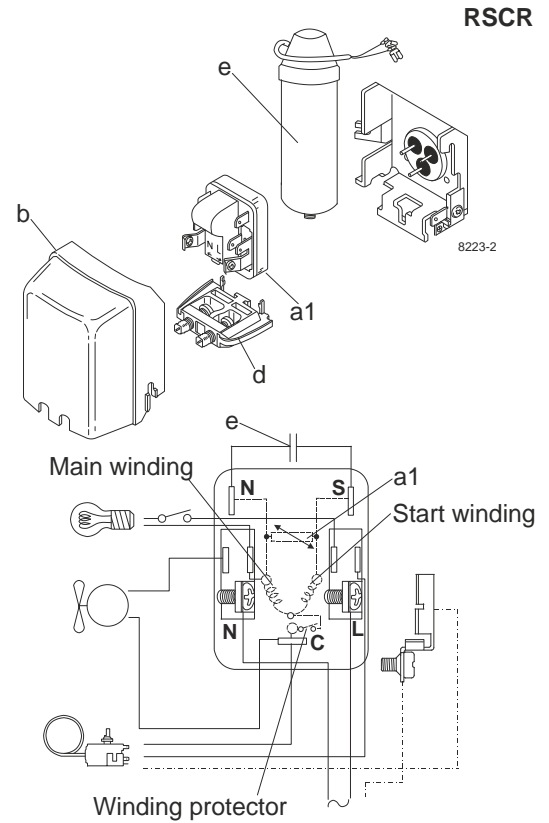
Model

Designation	NLE11CNL 115V/60Hz	Conf. 2	Sales code:	105H5981
-------------	---------------------------	---------	-------------	-----------------

Configuration

Motorconfiguration	RSCR
Power supply (nominal)	115V/60Hz 1~
Refrigerant	R290
Application	LBP
Voltage range	95-135V
Starting torque	LST
Approvals	UL SA3693
	CCC

Electrical accessories / wiring diagram

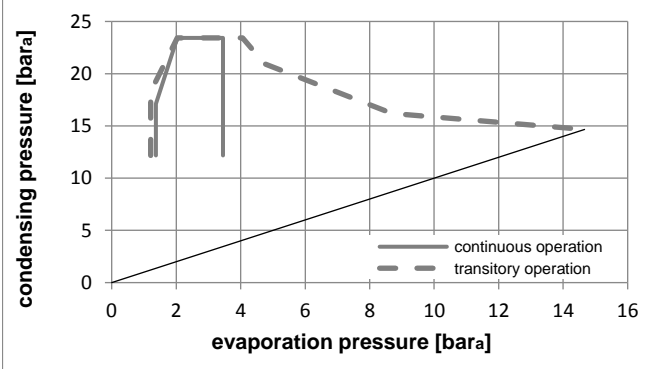
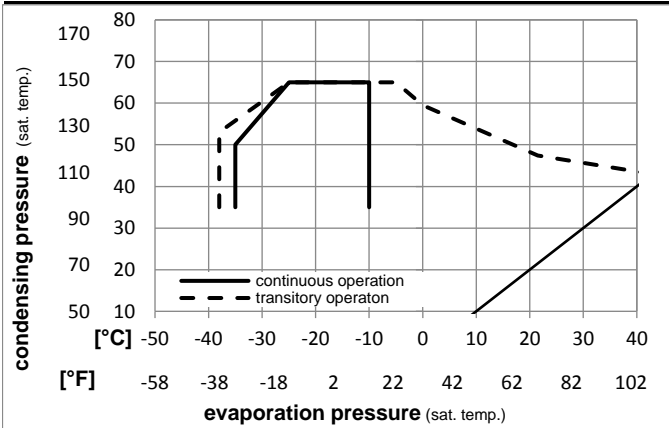


Ambient temperatures / system cooling

Ambient temperature min.:	10°C / 50°F
Ambient temperature max.:	43°C / 110°F

System cooling			
T ambient	LBP	MBP	HBP
32°C / 90°F	fan 3m/s	n/a	n/a
38°C / 100°F	fan 3m/s	n/a	n/a
43°C / 110°F	fan 3m/s	n/a	n/a

Operation pressure range



Components

a1	e-PTC starter	103N0058
e	run capacitor (23,5μF, 6.3mm)	117-7114
b	plastic cover	103N2011
d	cord relief	103N1010
	bracket for run capacitor	117-0300
	screw M4x8mm	117-0301

Model

Designation **NLE11CNL 115V/60Hz** Conf. 2 Sales code: **105H5981**

Optimization + standard conditions

115V/60Hz 1~, RSCR, fan 3m/s, UL, CCC

	Evaporating pressure (saturation temperature)				Condensing pressure (saturation temperature)						Power consumption			ASHRAE LBP
	pe	pc	RGT	Tliq	Cooling capacity			COP	EER		P1	I	Ref. mass flow	
	[°C]	[°F]	[°C]	[°F]	[W]	[Btu/h]	[kcal/h]	[W/W]	[Btu/Wh]	[kcal/Wh]	[W]	[A]	[kg/h]	
	-23,3	54,4	32,2	32,2	685,2	2340	589,7	1,77	6,04	1,52	387,2	4,49	6,94	ASHRAE LBP
	-10	130	90	90										
	-25	55	32	55	513,2	1753	441,6	1,38	4,70	1,19	372,6	4,38	6,39	cecomaf LBP
	-13	131	89,6	131										
	-35	40	20	40	383,9	1311	330,4	1,38	4,70	1,19	278,8	3,78	4,39	EN12900 LBP
	-31	104	68	104										
	-23,3	48,9	4,44	48,9	553,2	1889	476,0	1,46	5,00	1,26	377,8	4,42	7,66	ARI540 LBP
	-10	120	40	120										
	-23,3	40,6	32,2	32,2	727,3	2484	625,9	2,03	6,92	1,74	359,0	4,31	7,36	AHAM LBP
	-10	105	90	90										
	-35	45	32	45	368,5	1258	317,1	1,31	4,49	1,13	280,2	3,79	4,13	opt
	-31	113	89,6	113										

Performance tables

115V/60Hz 1~, RSCR, fan 3m/s, UL, CCC

	pe	Cooling capacity			COP	EER		P1	I	m	
	[°C]	[°F]	[W]	[Btu/h]	[kcal/h]	[W/W]	[Btu/Wh]	[kcal/Wh]	[W]	[A]	[kg/h]
[°C / °F]	-35	-31	368,5	1258	317,1	1,31	4,49	1,13	280,2	3,79	4,13
cond. pressure	-28,9	-20	494,3	1688	425,4	1,51	5,14	1,30	328,4	4,07	5,56
pc= 45/113	-26,1	-15	563,8	1926	485,3	1,61	5,51	1,39	349,2	4,22	6,35
return gas temp.	-23,3	-10	640,7	2188	551,4	1,73	5,92	1,49	369,7	4,37	7,23
RGT= 32/90	-20,6	-5	724,4	2474	623,5	1,86	6,34	1,60	390,1	4,54	8,20
liquid temp	-15	5	911,6	3113	784,6	2,11	7,22	1,82	431,4	4,87	10,37
Tliq= 45/113	-10	14	1100,8	3759	947,3	2,34	7,99	2,01	470,3	5,17	12,59
[°C / °F]	-35	-31	316,9	1082	272,7	1,15	3,93	0,99	275,6	3,81	3,92
cond. pressure	-28,9	-20	425,7	1454	366,4	1,27	4,33	1,09	336,1	4,13	5,28
pc= 55/131	-26,1	-15	486,8	1663	419,0	1,34	4,59	1,16	362,3	4,31	6,06
return gas temp	-23,3	-10	554,7	1894	477,4	1,43	4,88	1,23	387,9	4,49	6,92
RGT= 32/90	-20,6	-5	629,1	2148	541,4	1,52	5,20	1,31	413,2	4,69	7,86
liquid temp	-15	5	796,0	2719	685,1	1,72	5,86	1,48	463,8	5,11	10,01
Tliq= 55/131	-10	14	965,4	3297	830,8	1,89	6,46	1,63	510,4	5,50	12,21