

Model

Designation	NLE11CNLT	208-230V/60Hz 1~	Sales code:	105H6109
-------------	------------------	------------------	-------------	-----------------

Compressor design

Oil type	Polyolester	Refrigerant(s)	R290
Oil viscosity	32cSt	Displacement	11,15cm ³ / 0,68cu.in
Oil quantity	300cm ³ / 10,1fl.oz	Compressors on pallet	80
Refr. charge - tech. limit	150g / 5,3oz		
Free gas volume comp.	2360cm ³ / 79,8fl.oz		
Weight	12,2kg / 26,9lbs		
Motor protection	1# internal		
Winding resistance main	5,06Ω (at 25°C)		
Winding resistance aux	13,02Ω (at 25°C)		
Max. winding temp.	135°C / 275°F		
Max. discharge temp.	130°C / 266°F		



General - Configurations with NLE11CNLT

	Conf. 1	Conf. 2	Conf. 3
Motorconfiguration	CSIR	RSIR	RSCR
Power supply (nominal)	208-230V/60Hz	208-230V/60Hz	208-230V/60Hz
Number of phases	1	1	1
Voltage range	187-253V	187-253V	187-253V
Approvals	UL, CB	UL, CB	UL, CB
Starting torque	HST	LST	LST
Note	- / -		

Applications with NLE11CNLT

	Conf. 1	Conf. 2	Conf. 3
Refrigerant	R290	R290	R290
Application	LBP	LBP	LBP
System cooling	fan 3m/s	fan 3m/s	fan 3m/s
Hot gas defrost	OK	OK	OK
Long interval pull down	OK	OK	OK

Electrical data - Configurations with NLE11CNLT

	Conf. 1	Conf. 2	Conf. 3
Starting device type	relay	PTC	PTC
Run capacitor	- / -	- / -	4μF
Start capacitor	60μF	- / -	- / -
LRA (locked rotor amps / 4s)	15,37A	15,12A	15,12A
RLA (rated load amps / 1s)	2,85A	2,44A	2,85A
Cut in current	15,37A	19,93A	19,93A
IP class	21	21	21

Model

Designation

NLE11CNLT 208-230V/60Hz 1~

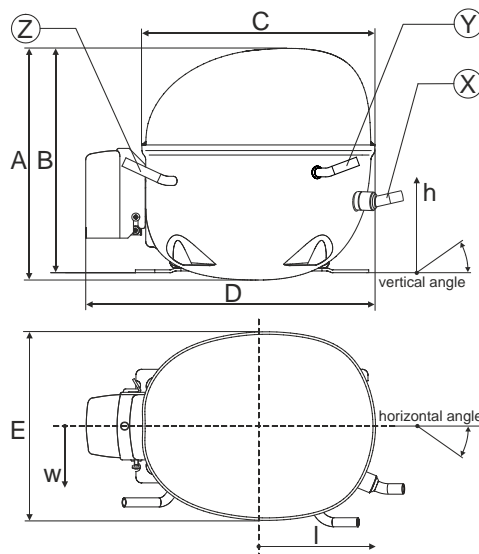
Sales code:

105H6109

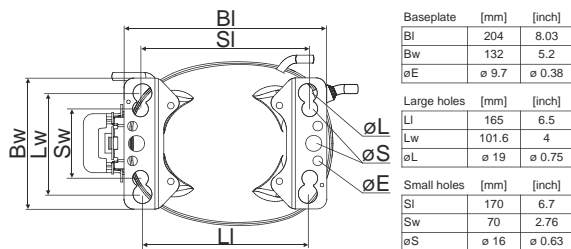
Compressor dimensions

Housing	A Height	203mm / 7,99in
	B Height	197mm / 7,76in
	C Length shell	205mm / 8,07in
	D Length w. cover	254mm / 10in
	E Width	166mm / 6,54in

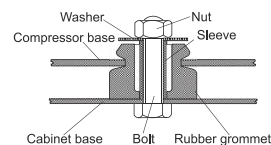
Connectors		Suction	Discharge	Process
		X	Y	Z
Diameter	[mm]	øi 8,11-8,29	øi 6,41-6,59	øi 6,41-6,59
(i:inside, o:outside)	[in]	øi 0,32-0,33	øi 0,25-0,26	øi 0,25-0,26
Material		copper	copper	copper
Horizontal angle	±2°	0°	0°	0°
Vertical angle	±2°	15°	21°	155°
Position l/h/w	[mm]	132/69/56	94/99/86	-111/92/72
	[in]	5,2/2,7/2,2	3,7/3,9/3,4	-4,4/3,6/2,8
Straight tube l.	[mm]	12	12	12
	[in]	0,5	0,5	0,5



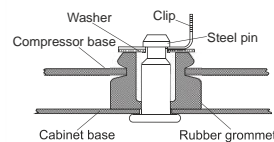
Compressor fixation



Bolt joint



Snap-on



Mounting accessories	one comp.	multi pack
Bolt joint M6 ø16mm	118-1917	118-1918
Bolt joint ø1/4" ø16mm	118-1946	
Bolt joint ø1/4" ø19mm	118-1949	
Snap-on ø7,3 ø16mm	118-1947	118-1919

Application notes

LRA value on compressor label and datasheet may differ due to different test conditions for UL approval.

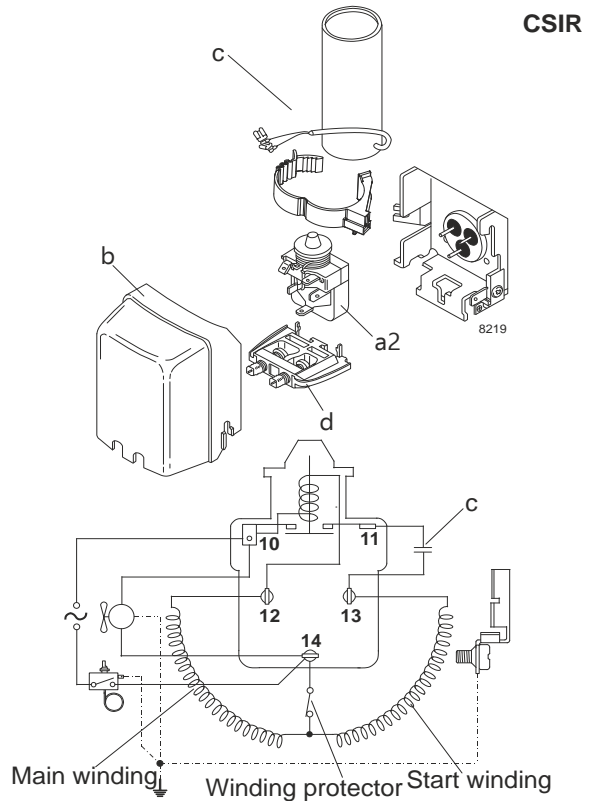
Model

Designation **NLE11CNLT 208-230V/60Hz** Conf. 1 Sales code: **105H6109**

Configuration

Motorconfiguration CSIR
 Power supply (nominal) 208-230V/60Hz 1~
 Refrigerant R290
 Application LBP
 Voltage range 187-253V
 Starting torque HST
 Approvals UL SA3693
 CB

Electrical accessories / wiring diagram

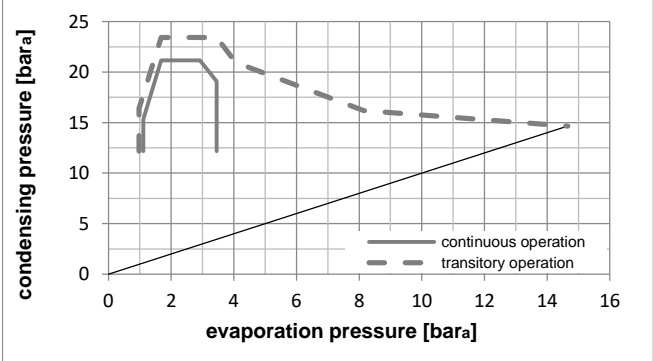
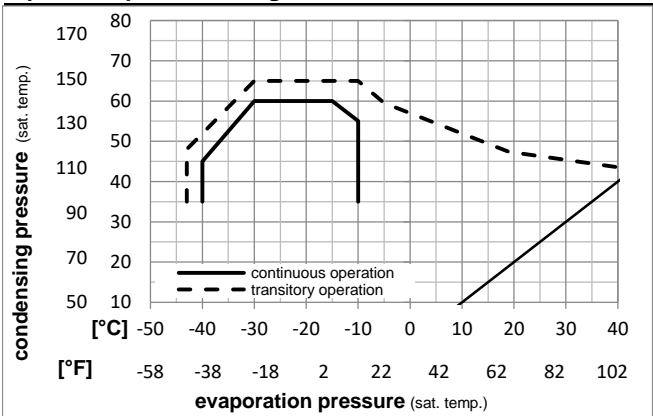


Ambient temperatures / system cooling

Ambient temperature min.: 10°C / 50°F
 Ambient temperature max.: 43°C / 110°F

System cooling (n/a: outside limits)			
T ambient	LBP	MBP	HBP
32°C / 90°F	fan 3m/s	n/a	n/a
38°C / 100°F	fan 3m/s	n/a	n/a
43°C / 110°F	fan 3m/s	n/a	n/a

Operation pressure range



Components

- a2 relay 117U7005
- c start capacitor (60μF) 117U5014
- b plastic cover 103N2011
- d cord relief 103N1010

Model

Designation **NLE11CNLT 208-230V/60Hz** Conf. 1 Sales code: **105H6109**

Optimization + standard conditions

220V/60Hz, CSIR, fan 3m/s, UL, CB

Evaporating pressure (saturation temperature)					Condensing pressure (saturation temperature)						Power consumption				ASHRAE LBP	
					Return gas temp.						Current consumption					Ref. mass flow ṁ
					Liquid temp.											
					Cooling capacity											
	pe	pc	RGT	Tliq	[W]	[Btu/h]	[kcal/h]	COP	EER	[kcal/Wh]	P1	I	ṁ			
[°C]	[°C]	[°C]	[°C]	[°C]				[W/W]	[Btu/Wh]		[W]	[A]	[kg/h]			
[°F]	-23,3	54,4	32,2	32,2	668,1	2282	575,0	1,65	5,64	1,42	404,8	2,31	6,77			
	-10	130	90	90												
[°C]	-25	55	32	55	499,4	1705	429,8	1,28	4,38	1,10	389,0	2,26	6,22	cecomaf LBP		
[°F]	-13	131	89,6	131												
[°C]	-35	40	20	40	382,5	1306	329,2	1,32	4,49	1,13	290,7	1,93	4,37	EN12900 LBP		
[°F]	-31	104	68	104												
[°C]	-23,3	48,9	4,44	48,9	544,8	1861	468,9	1,37	4,69	1,18	396,8	2,29	7,55	ARI540 LBP		
[°F]	-10	120	40	120												
[°C]	-23,3	40,6	32,2	32,2	729,7	2492	628,0	1,92	6,55	1,65	380,6	2,23	7,39	AHAM LBP		
[°F]	-10	105	90	90												
[°C]	-35	45	32	45	368,8	1259	317,3	1,25	4,28	1,08	294,4	1,94	4,13	opt		
[°F]	-31	113	89,6	113												

Performance tables

220V/60Hz, CSIR, fan 3m/s, UL, CB

	pe	Cooling capacity			COP	EER	P1	I	m		
	[°C]	[°F]	[W]	[Btu/h]	[kcal/h]	[W/W]	[Btu/Wh]	[kcal/Wh]	[W]	[A]	[kg/h]
[°C / °F]	-40	-40	322,8	1103	277,8	1,27	4,33	1,09	254,4	1,83	3,61
cond. pressure	-34,4	-30	376,8	1287	324,3	1,26	4,31	1,09	298,9	1,96	4,22
pc= 45/113	-28,9	-20	485,8	1659	418,1	1,41	4,82	1,22	344,0	2,11	5,46
return gas temp.	-23,3	-10	637,4	2177	548,5	1,64	5,58	1,41	389,8	2,27	7,20
RGT= 32/90	-20,6	-5	725,3	2477	624,2	1,76	6,00	1,51	413,1	2,35	8,21
liquid temp	-15	5	917,7	3134	789,7	1,99	6,81	1,72	460,1	2,53	10,44
Tliq= 45/113	-10	14	1101,1	3761	947,7	2,19	7,47	1,88	503,2	2,71	12,60
[°C / °F]	-40	-40	332,1	1134	285,8	1,33	4,55	1,15	249,2	1,80	4,10
cond. pressure	-34,4	-30	344,0	1175	296,0	1,15	3,93	0,99	299,2	1,95	4,25
pc= 55/131	-28,9	-20	417,7	1426	359,4	1,19	4,06	1,02	351,3	2,12	5,18
return gas temp	-23,3	-10	540,8	1847	465,4	1,33	4,55	1,15	405,5	2,32	6,74
RGT= 32/90	-20,6	-5	617,0	2107	531,0	1,42	4,86	1,22	433,5	2,42	7,71
liquid temp	-15	5	791,1	2702	680,8	1,61	5,50	1,39	491,1	2,65	9,95
Tliq= 55/131	-10	14	963,9	3292	829,6	1,77	6,04	1,52	544,9	2,87	12,19

Model

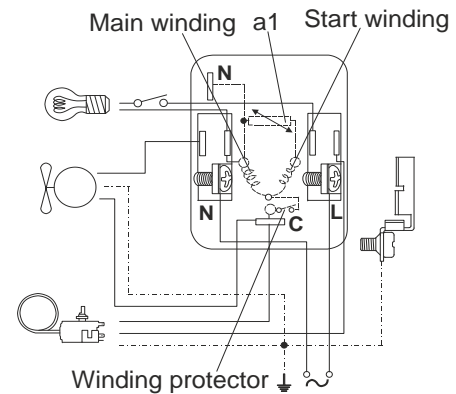
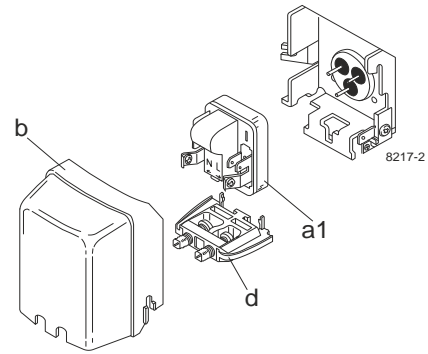
Designation **NLE11CNLT 208-230V/60Hz** Conf. 2 Sales code: **105H6109**

Configuration

Motorconfiguration **RSIR**
 Power supply (nominal) **208-230V/60Hz 1~**
 Refrigerant **R290**
 Application **LBP**
 Voltage range **187-253V**
 Starting torque **LST**
 Approvals **UL SA3693**
CB

Electrical accessories / wiring diagram

RSIR

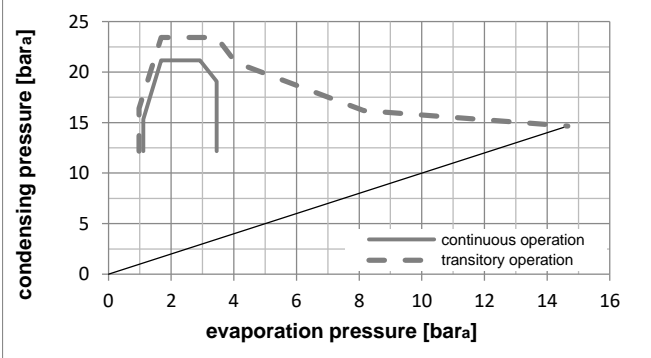
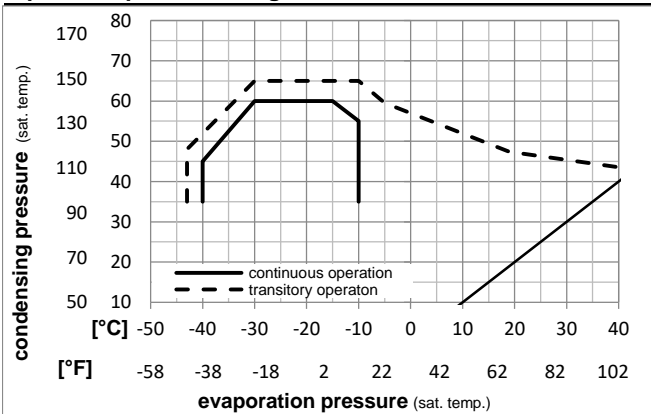


Ambient temperatures / system cooling

Ambient temperature min.: **10°C / 50°F**
 Ambient temperature max.: **43°C / 110°F**

System cooling (n/a: outside limits)			
T ambient	LBP	MBP	HBP
32°C / 90°F	fan 3m/s	n/a	n/a
38°C / 100°F	fan 3m/s	n/a	n/a
43°C / 110°F	fan 3m/s	n/a	n/a

Operation pressure range



Components

- a1 e-PTC starter (220V, 250hm, 4.8mm) 103N0050
- b plastic cover 103N2011
- d cord relief 103N1010

Model

Designation **NLE11CNLT 208-230V/60Hz** Conf. **2** Sales code: **105H6109**

Optimization + standard conditions

220V/60Hz, RSIR, fan 3m/s, UL, CB

Evaporating pressure (saturation temperature)					Condensing pressure (saturation temperature)						Power consumption				ASHRAE LBP
					Return gas temp.						Current consumption				
					Liquid temp.						Ref. mass flow				
					Cooling capacity						COP EER				
	pe	pc	RGT	Tliq	[W]	[Btu/h]	[kcal/h]	[W/W]	[Btu/Wh]	[kcal/Wh]	P1 [W]	I [A]	m [kg/h]		
[°C]	-23,3	54,4	32,2	32,2	668,1	2282	575,0	1,65	5,64	1,42	404,8	2,31	6,77	ASHRAE	
[°F]	-10	130	90	90										LBP	
[°C]	-25	55	32	55	499,4	1705	429,8	1,28	4,38	1,10	389,0	2,26	6,22	cecomaf	
[°F]	-13	131	89,6	131										LBP	
[°C]	-35	40	20	40	382,5	1306	329,2	1,32	4,49	1,13	290,7	1,93	4,37	EN12900	
[°F]	-31	104	68	104										LBP	
[°C]	-23,3	48,9	4,44	48,9	544,8	1861	468,9	1,37	4,69	1,18	396,8	2,29	7,55	ARI540	
[°F]	-10	120	40	120										LBP	
[°C]	-23,3	40,6	32,2	32,2	729,7	2492	628,0	1,92	6,55	1,65	380,6	2,23	7,39	AHAM	
[°F]	-10	105	90	90										LBP	
[°C]	-35	45	32	45	368,8	1259	317,3	1,25	4,28	1,08	294,4	1,94	4,13	opt	
[°F]	-31	113	89,6	113											

Performance tables

220V/60Hz, RSIR, fan 3m/s, UL, CB

	pe	Cooling capacity			COP	EER	P1	I	m		
	[°C]	[°F]	[W]	[Btu/h]	[kcal/h]	[W/W]	[Btu/Wh]	[kcal/Wh]	[W]	[A]	[kg/h]
[°C / °F]	-40	-40	322,8	1103	277,8	1,27	4,33	1,09	254,4	1,83	3,61
cond. pressure	-34,4	-30	376,8	1287	324,3	1,26	4,31	1,09	298,9	1,96	4,22
pc= 45/113	-28,9	-20	485,8	1659	418,1	1,41	4,82	1,22	344,0	2,11	5,46
return gas temp.	-23,3	-10	637,4	2177	548,5	1,64	5,58	1,41	389,8	2,27	7,20
RGT= 32/90	-20,6	-5	725,3	2477	624,2	1,76	6,00	1,51	413,1	2,35	8,21
liquid temp	-15	5	917,7	3134	789,7	1,99	6,81	1,72	460,1	2,53	10,44
Tliq= 45/113	-10	14	1101,1	3761	947,7	2,19	7,47	1,88	503,2	2,71	12,60
[°C / °F]	-40	-40	332,1	1134	285,8	1,33	4,55	1,15	249,2	1,80	4,10
cond. pressure	-34,4	-30	344,0	1175	296,0	1,15	3,93	0,99	299,2	1,95	4,25
pc= 55/131	-28,9	-20	417,7	1426	359,4	1,19	4,06	1,02	351,3	2,12	5,18
return gas temp	-23,3	-10	540,8	1847	465,4	1,33	4,55	1,15	405,5	2,32	6,74
RGT= 32/90	-20,6	-5	617,0	2107	531,0	1,42	4,86	1,22	433,5	2,42	7,71
liquid temp	-15	5	791,1	2702	680,8	1,61	5,50	1,39	491,1	2,65	9,95
Tliq= 55/131	-10	14	963,9	3292	829,6	1,77	6,04	1,52	544,9	2,87	12,19

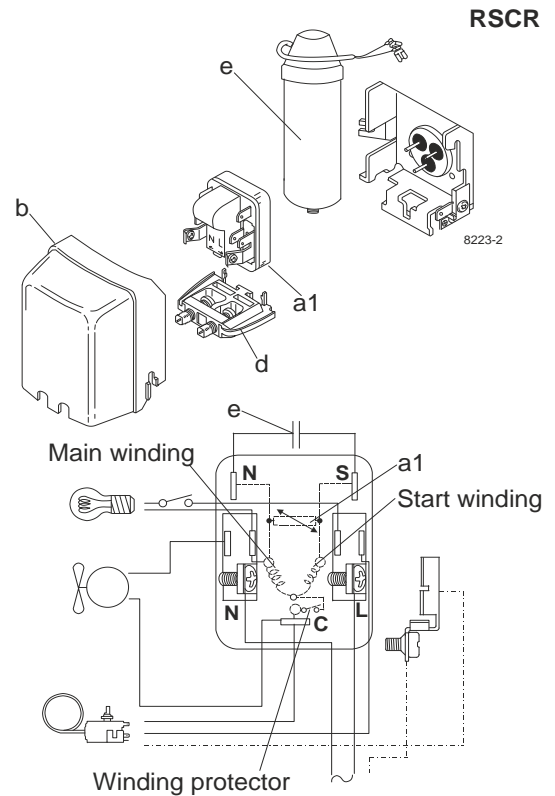
Model

Designation **NLE11CNLT 208-230V/60Hz** Conf. 3 Sales code: **105H6109**

Configuration

Motorconfiguration RSCR
 Power supply (nominal) 208-230V/60Hz 1~
 Refrigerant R290
 Application LBP
 Voltage range 187-253V
 Starting torque LST
 Approvals UL SA3693
 CB

Electrical accessories / wiring diagram

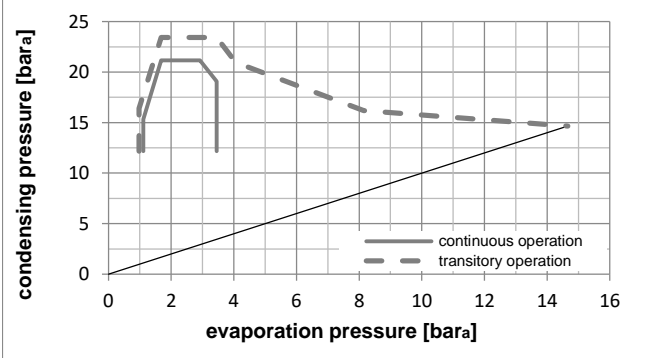
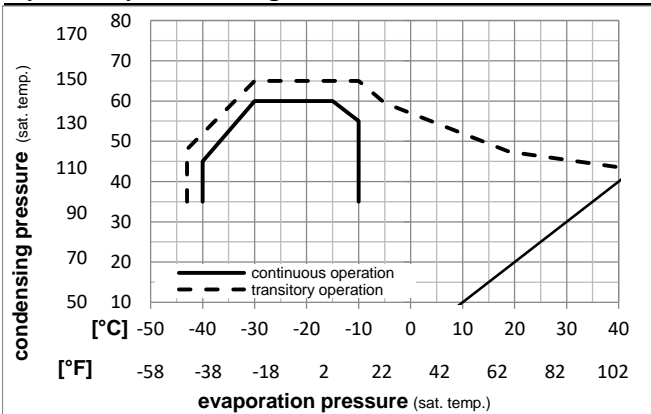


Ambient temperatures / system cooling

Ambient temperature min.: 10°C / 50°F
 Ambient temperature max.: 43°C / 110°F

System cooling (n/a: outside limits)			
T ambient	LBP	MBP	HBP
32°C / 90°F	fan 3m/s	n/a	n/a
38°C / 100°F	fan 3m/s	n/a	n/a
43°C / 110°F	fan 3m/s	n/a	n/a

Operation pressure range



Components

a1	e-PTC starter (220V, 250hm, 4.8mm)	103N0050
e	run capacitor (4μF, 4.8mm)	117-7165
b	plastic cover	103N2011
d	cord relief	103N1010
	bracket for run capacitor	117-0300
	screw M4x8mm	117-0301

Model

Designation **NLE11CNLT 208-230V/60Hz** Conf. **3** Sales code: **105H6109**

Optimization + standard conditions

220V/60Hz, RSCR, fan 3m/s, UL, CB

Evaporating pressure (saturation temperature)					Condensing pressure (saturation temperature)					Power consumption				
					Return gas temp.					Current consumption				
					Liquid temp.					Ref. mass flow				
					Cooling capacity					COP EER				
	pe	pc	RGT	Tliq	[W]	[Btu/h]	[kcal/h]	[W/W]	[Btu/Wh]	[kcal/Wh]	P1	I	m	
[°C]	[°C]	[°C]	[°C]	[°C]							[W]	[A]	[kg/h]	
[°F]	-23,3	54,4	32,2	32,2	673,5	2300	579,6	1,76	6,02	1,52	381,8	1,86	6,82	ASHRAE LBP
	-10	130	90	90										
[°C]	-25	55	32	55	503,1	1718	433,0	1,37	4,68	1,18	367,3	1,80	6,26	cecomaf LBP
[°F]	-13	131	89,6	131										
[°C]	-35	40	20	40	383,2	1309	329,8	1,39	4,76	1,20	274,7	1,44	4,38	EN12900 LBP
[°F]	-31	104	68	104										
[°C]	-23,3	48,9	4,44	48,9	548,2	1872	471,8	1,46	5,00	1,26	374,3	1,83	7,59	ARI540 LBP
[°F]	-10	120	40	120										
[°C]	-23,3	40,6	32,2	32,2	730,1	2493	628,3	2,04	6,95	1,75	358,6	1,77	7,39	AHAM LBP
[°F]	-10	105	90	90										
[°C]	-35	45	32	45	374,0	1277	321,9	1,34	4,58	1,15	279,2	1,46	4,19	opt
[°F]	-31	113	89,6	113										

Performance tables

220V/60Hz, RSCR, fan 3m/s, UL, CB

	pe		Cooling capacity			COP			EER			P1	I	m
	[°C]	[°F]	[W]	[Btu/h]	[kcal/h]	[W/W]	[Btu/Wh]	[kcal/Wh]	[W]	[A]	[kg/h]			
[°C / °F]	-40	-40	338,7	1157	291,5	1,39	4,75	1,20	243,6	1,33	3,79			
cond. pressure	-34,4	-30	381,4	1302	328,2	1,35	4,60	1,16	283,2	1,47	4,27			
pc= 45/113	-28,9	-20	486,8	1662	418,9	1,50	5,12	1,29	324,6	1,63	5,47			
return gas temp.	-23,3	-10	639,8	2185	550,6	1,74	5,95	1,50	367,4	1,80	7,22			
RGT= 32/90	-20,6	-5	729,4	2491	627,8	1,87	6,40	1,61	389,2	1,89	8,26			
liquid temp	-15	5	925,6	3161	796,6	2,13	7,29	1,84	433,7	2,08	10,53			
Tliq= 45/113	-10	14	1110,9	3794	956,1	2,34	8,00	2,02	474,5	2,26	12,71			
[°C / °F]	-40	-40	353,7	1208	304,4	1,46	4,98	1,26	242,4	1,33	4,36			
cond. pressure	-34,4	-30	352,6	1204	303,4	1,23	4,21	1,06	286,1	1,49	4,36			
pc= 55/131	-28,9	-20	421,4	1439	362,7	1,27	4,32	1,09	332,9	1,67	5,23			
return gas temp	-23,3	-10	545,1	1862	469,1	1,43	4,87	1,23	382,4	1,86	6,80			
RGT= 32/90	-20,6	-5	622,8	2127	536,0	1,53	5,21	1,31	408,1	1,97	7,79			
liquid temp	-15	5	800,5	2734	688,9	1,74	5,93	1,49	461,3	2,20	10,06			
Tliq= 55/131	-10	14	975,5	3331	839,5	1,91	6,52	1,64	511,0	2,42	12,34			