

## NLE11KTK Energy-optimized Tropical Compressor R600a 220-240V 50/60Hz

### General

Code number	105H6948
Approvals	EN 60335-2-34
Compressors on pallet	80

### Application

Application	LBP			
	Hz	50	60	
Frequency	Hz	50	60	
Evaporating temperature	°C	-35 to -10	-35 to -10	
Voltage range	V	187 - 254	198 - 254	
Max. condensing temperature continuous (short)	°C	60 (70)	60 (70)	
Max. winding temperature continuous (short)	°C	125 (135)	125 (135)	

### Cooling requirements

Frequency	Hz	50			60		
		LBP	MBP	HBP	LBP	MBP	HBP
32°C		S	-	-	S	-	-
38°C		S	-	-	S	-	-
43°C		S	-	-	F <sub>1</sub>	-	-

Remarks on application:  
Run capacitor 4 µF compulsory in 43°C ambient temperature at 60Hz

### Motor

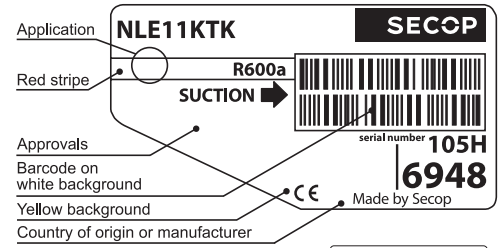
Motor type	RSIR/RSCR		
LRA (rated after 4 sec. UL984), HST   LST	A	-	6.4
Cut in Current, HST   LST	A	-	10.7
Resistance, main   start winding (25°C)	Ω	12.9	18.0

### Design

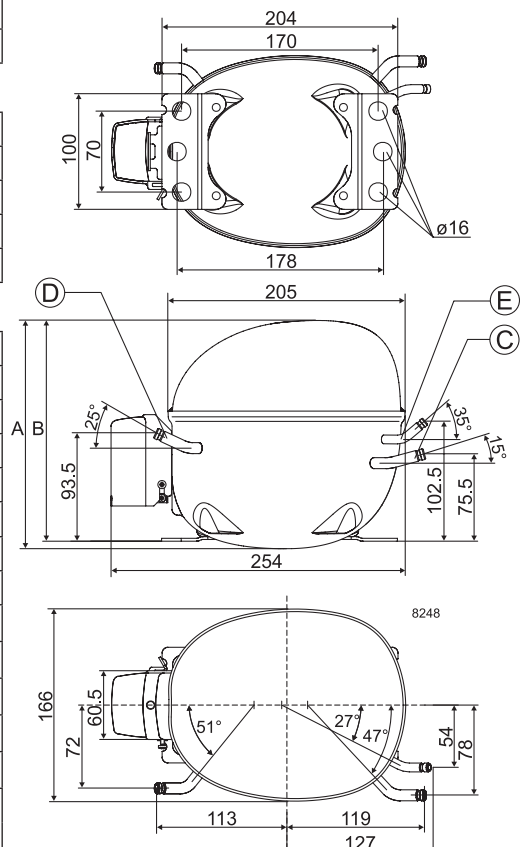
Displacement	cm <sup>3</sup>	11.15
Oil quantity (type)	cm <sup>3</sup>	320 (mineral)
Maximum refrigerant charge	g	150
Free gas volume in compressor	cm <sup>3</sup>	2360
Weight without electrical equipment	kg	10.0

### Dimensions

Height	mm	A	197
		B	191
		B1	-
		B2	-
Suction connector	location/I.D. mm   angle	C	6.2   15°
		material   comment	Cu-plated steel   Al cap
Process connector	location/I.D. mm   angle	D	6.2   25°
		material   comment	Cu-plated steel   Al cap
Discharge connector	location/I.D. mm   angle	E	5.0   35°
		material   comment	Cu-plated steel   Al cap
Oil cooler connector	location/I.D. mm   angle	F	-
		material   comment	-
Connector tolerance	I.D. mm	±0.09, on 5.0 +0.12/+0.20	
Remarks:			



- S = Static cooling normally sufficient
- O = Oil cooling
- F<sub>1</sub> = Fan cooling 1.5 m/s (compressor compartment temperature equal to ambient temperature)
- F<sub>2</sub> = Fan cooling 3.0 m/s necessary
- SG = Suction gas cooling normally sufficient
- = not applicable in this area

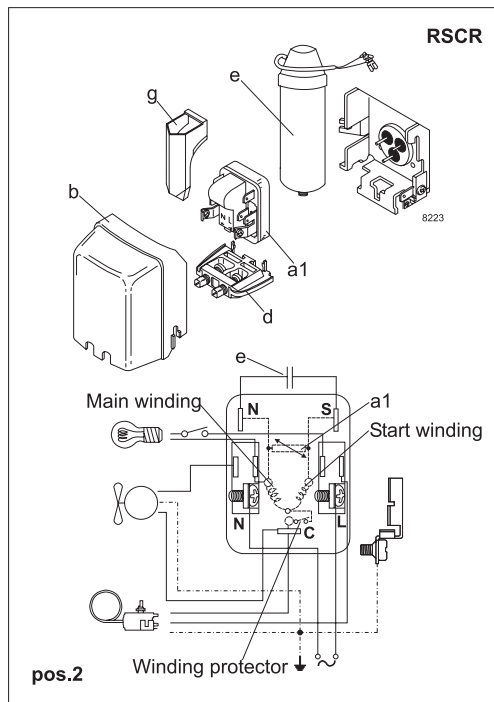
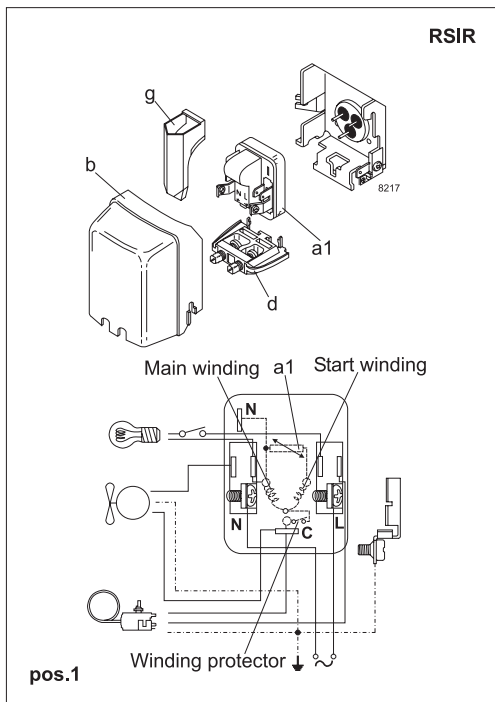


**EN 12900 Household (CECOMAF)** 220V, 50Hz, static cooling, PTC consumption incl.

Evap. temp in °C	-45	-40	-35	-30	-25	-23.3	-20	-15	-10	-6.7	-5	0	5	7.2	10	15	20
Capacity in W			73	98	127	137	162	206	261								
Power cons. in W			90	107	123	129	140	158	177								
Current cons. in A			0.86	0.90	0.95	0.96	1.00	1.04	1.10								
COP in W/W			0.81	0.92	1.03	1.07	1.16	1.31	1.47								

**ASHRAE LBP** 220V, 50Hz, static cooling, PTC consumption incl.

Evap. temp in °C	-45	-40	-35	-30	-25	-23.3	-20	-15	-10	-6.7	-5	0	5	7.2	10	15	20
Capacity in W			89	119	154	167	197	251	318								
Power cons. in W			90	107	123	129	140	158	177								
Current cons. in A			0.86	0.90	0.95	0.96	1.00	1.04	1.10								
COP in W/W			0.98	1.12	1.25	1.31	1.41	1.59	1.80								



Accessories for	NLE11KTK	Figure	Code number	Test conditions	EN 12900/ CECOMAF	ASHRAE
PTC starting device	6.3 mm spade connectors	a1 <b>(pos.1)</b>	103N0011	Condensing temperature	55°C	55°C
	4.8 mm spade connectors		103N0018	Ambient temperature	32°C	32°C
PTC starting device	6.3 mm spade connectors	a1 <b>(pos.2)</b>	103N0016	Suction gas temperature	32°C	32°C
	4.8 mm spade connectors		103N0021	Liquid temperature	no subcooling	32°C
Cover		b	103N2010			
Cord relief		d	103N1010			
Run capacitor 4 µF (optional)	6.3 mm spade connectors	e	117-7117	<b>Mounting accessories</b>		
	4.8 mm spade connectors		117-7119	<b>Code number</b>		
Protection screen for PTC		g	103N0476	Bolt joint for one comp.	Ø: 16 mm	118-1917
				Bolt joint in quantities	Ø: 16 mm	118-1918
				Snap-on in quantities	Ø: 16 mm	118-1919

Nidec GA Compressors accepts no responsibility for possible errors in catalogs, brochures, and other printed material. Nidec GA Compressors reserves the right to alter its products without notice. This also applies to products already on order provided that such alterations can be made without subsequential changes being necessary to specifications already agreed. All trademarks in this material are the property of the respective companies. Secop and the Secop logotype are trademarks of Nidec Global Appliance Germany GmbH. All rights reserved. [www.secop.com](http://www.secop.com)