

## Model

Designation	<b>NLE12.6CNL</b> 220-240V/50Hz 1~	Sales code:	<b>105H6376</b>
-------------	------------------------------------	-------------	-----------------

## Compressor design

Oil type	Polyolester	Refrigerant(s)	<b>R290</b>
Oil viscosity	32cST	Displacement	12,55cm <sup>3</sup> / 0,77cu.in
Oil quantity	294cm <sup>3</sup> / 10fl.oz	Compressors on pallet	80
Refr. charge - tech. limit	150g / 5,3oz		
Free gas volume comp.	2360cm <sup>3</sup> / 79,8fl.oz		
Weight	11,8kg / 26lbs		
Motor protection	1# internal		
Winding resistance main	5,64Ω (at 25°C)		
Winding resistance aux	8,49Ω (at 25°C)		
Max. winding temp.	125°C / 257°F		
Max. discharge temp.	130°C / 266°F		



## General - Configurations with NLE12.6CNL

	<b>Conf. 1</b>
Motorconfiguration	CSIR
Power supply (nominal)	220-240V/50Hz
Number of phases	1
Voltage range	198-254V
Approvals	VDE, CCC
Starting torque	HST
Note	Electrical equipment is included and pre-assembled to compressor.

## Applications with NLE12.6CNL

	<b>Conf. 1</b>
Refrigerant	R290
Application	LBP
System cooling	fan 3m/s
Hot gas defrost	OK
Long interval pull down	OK

## Electrical data - Configurations with NLE12.6CNL

	<b>Conf. 1</b>
Starting device type	relay
Run capacitor	-/-
Start capacitor	80μF
LRA (locked rotor amps / 4s)	12,5A
RLA (rated load amps / 1s)	2,56A
Cut in current	12,5A
IP class	21

## Model

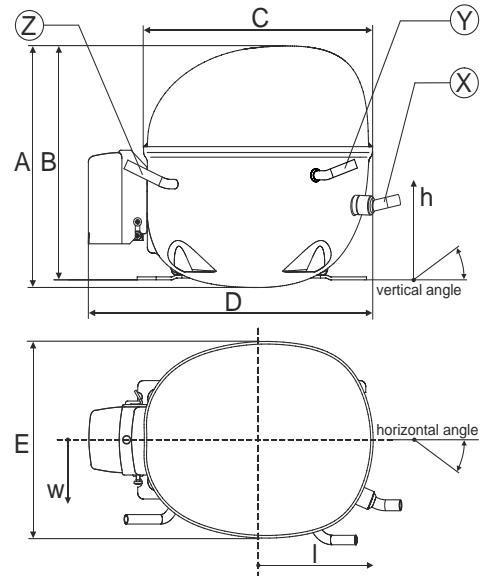
Designation **NLE12.6CNL** 220-240V/50Hz 1~

Sales code: **105H6376**

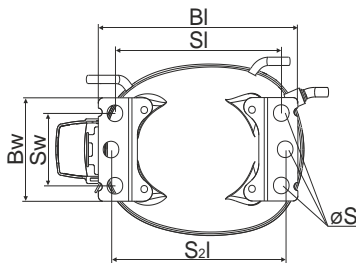
## Compressor dimensions

Housing	A Height	203mm / 7,99in
	B Height	197mm / 7,76in
	C Length shell	205mm / 8,07in
	D Length w. cover	254mm / 10in
	E Width	166mm / 6,54in

Connectors	Suction			Discharge			Process		
		X		Y		Z			
Diameter [mm]		øi 8,11-8,29		øi 6,11-6,29		øi 6,11-6,29			
(i:inside, o:outside) [in]		øi 0,32-0,33		øi 0,24-0,25		øi 0,24-0,25			
Material		copper		copper		copper			
Horizontal angle	±2°	0°		0°		0°			
Vertical angle	±2°	15°		15°		155°			
Position l/h/w [mm]		132/69/56		94/99/86		-111/92/72			
		[in] 5,2/2,7/2,2		3,7/3,9/3,4		-4,4/3,6/2,8			
Straight tube l. [mm]		12		12		12			
		[in] 0,5		0,5		0,5			

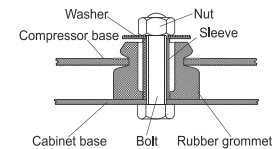


## Compressor fixation

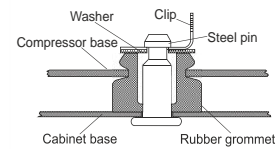


Baseplate	[mm]	[inch]
Bi	204	8.03
Bw	100	3.94
Small holes	[mm]	[inch]
Si	170	6.7
Sw	70	2.76
S2l	178	7
øS	ø 16	ø 0.63

### Bolt joint



### Snap-on



Mounting accessories	one comp.	multi pack
Bolt joint   M6   ø16mm	118-1917	118-1918
Bolt joint   ø1/4"   ø16mm	118-1946	
Snap-on   ø7,3   ø16mm	118-1947	118-1919

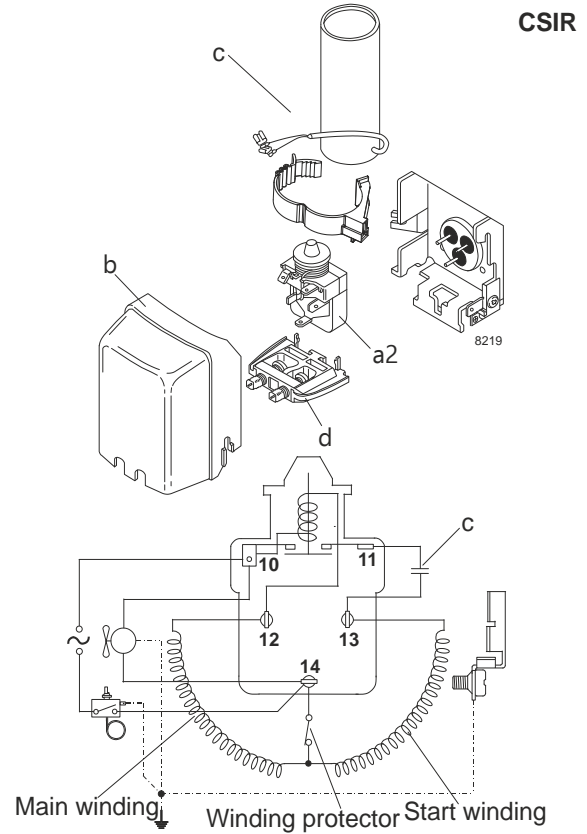
## Model

Designation	<b>NLE12.6CNL 220-240V/50Hz</b>	Conf. 1	Sales code:	<b>105H6376</b>
-------------	---------------------------------	---------	-------------	-----------------

## Configuration

Motorconfiguration	CSIR
Power supply (nominal)	220-240V/50Hz 1~
Refrigerant	R290
Application	LBP
Voltage range	198-254V
Starting torque	HST
Approvals	VDE CCC

## Electrical accessories / wiring diagram

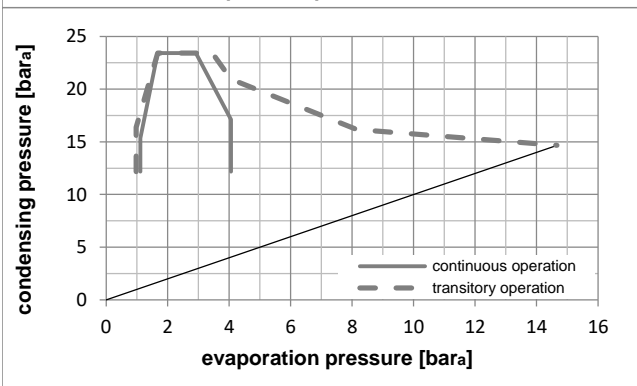
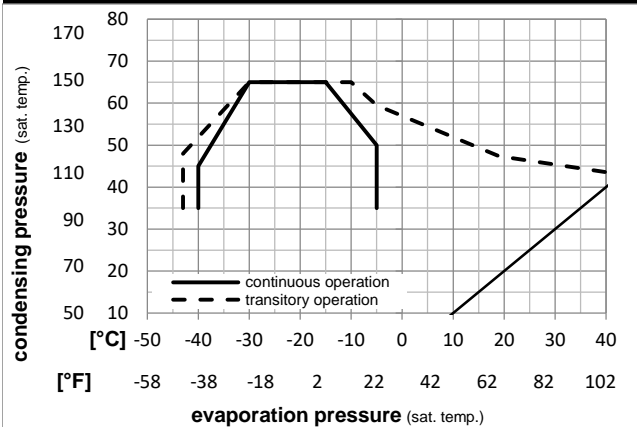


## Ambient temperatures / system cooling

Ambient temperature min.:	10°C / 50°F
Ambient temperature max.:	43°C / 110°F

System cooling (n/a: outside limits)			
T ambient	LBP	MBP	HBP
32°C / 90°F	fan 3m/s	n/a	n/a
38°C / 100°F	fan 3m/s	n/a	n/a
43°C / 110°F	fan 3m/s	n/a	n/a

## Operation pressure range



### Components (already pre-assembled)

a2	relay	117U7003
c	start capacitor (80µF)	117U5015
b	plastic cover	103N2010
d	cord relief	103N1010

### Alternative components

b	plastic cover	103N2011
---	---------------	----------

## Model

Designation **NLE12.6CNL 220-240V/50Hz** Conf. 1 Sales code: **105H6376**

## Optimization + standard conditions

220V/50Hz, CSIR, fan 3m/s, VDE, CCC

		Evaporating pressure (saturation temperature)				Condensing pressure (saturation temperature)					Power consumption				
					Return gas temp.						Current consumption			Ref. mass flow	
					Liquid temp.						P1	I	m		
		Cooling capacity					COP	EER			P1	I	m		
		pe	pc	RGT	Tliq	[W]	[Btu/h]	[kcal/h]	[W/W]	[Btu/Wh]	[kcal/Wh]	[W]	[A]	[kg/h]	
[°C]	-23,3	54,4	32,2	32,2	609,8	2083	524,8	1,62	5,55	1,40	375,5	2,24	6,18	ASHRAE LBP	
[°F]	-10	130	90	90											
[°C]	-25	55	32	55	459,7	1570	395,6	1,27	4,33	1,09	362,2	2,19	5,72	cecomaf LBP	
[°F]	-13	131	89,6	131											
[°C]	-35	40	20	40	354,2	1210	304,8	1,33	4,55	1,15	265,6	1,87	4,05	EN12900 LBP	
[°F]	-31	104	68	104											
[°C]	-23,3	48,9	4,44	48,9	493,6	1686	424,8	1,36	4,64	1,17	363,1	2,20	6,84	ARI540 LBP	
[°F]	-10	120	40	120											
[°C]	-23,3	40,6	32,2	32,2	659,7	2253	567,8	1,91	6,53	1,65	345,0	2,13	6,68	AHAM LBP	
[°F]	-10	105	90	90											
[°C]	-35	45	32	45	338,9	1157	291,6	1,25	4,28	1,08	270,4	1,89	3,80	opt	
[°F]	-31	113	89,6	113											

## Performance tables

220V/50Hz, CSIR, fan 3m/s, VDE, CCC

	pe		Cooling capacity			COP	EER	P1		I	m
	[°C]	[°F]	[W]	[Btu/h]	[kcal/h]	[W/W]	[Btu/Wh]	[kcal/Wh]	[W]	[A]	[kg/h]
[°C / °F]	-40	-40	1867,7	6378	1607,3	1,29	4,42	1,11	1442,6	3,18	13,95
cond. pressure	-35	-31	2104,5	7187	1811,1	1,40	4,77	1,20	1506,2	3,37	15,75
pc= -25/-13	-30	-22	2371,0	8098	2040,5	1,52	5,18	1,31	1562,6	3,54	17,78
return gas temp.	-25	-13	2671,0	9122	2298,6	1,66	5,66	1,43	1612,4	3,70	20,09
RGT= 20/68	-20	-4	3007,8	10272	2588,6	1,82	6,20	1,56	1656,7	3,85	22,69
liquid temp	-15	5	3385,2	11561	2913,4	2,00	6,82	1,72	1696,3	3,99	25,63
Tliq= -25/-13	-5	23	4275,5	14601	3679,5	2,42	8,27	2,08	1764,8	4,27	32,66
[°C / °F]	-40	-40	2549,5	8707	2194,2	1,24	4,23	1,07	2056,0	4,01	18,18
cond. pressure	-35	-31	2823,6	9643	2430,0	1,32	4,52	1,14	2131,8	4,24	20,17
pc= -35/-31	-30	-22	3130,1	10690	2693,8	1,42	4,86	1,22	2199,4	4,46	22,40
return gas temp	-25	-13	3472,7	11860	2988,6	1,54	5,25	1,32	2259,6	4,66	24,92
RGT= 20/68	-20	-4	3854,9	13165	3317,6	1,67	5,69	1,43	2313,3	4,84	27,74
liquid temp	-15	5	4280,4	14618	3683,7	1,81	6,19	1,56	2361,4	5,02	30,91
Tliq= -35/-31	-5	23	5274,8	18014	4539,5	2,16	7,37	1,86	2444,0	5,35	38,41