

Model

Designation	NLE12.6MF.2 208-230V/60Hz 1~ 220-240V/50Hz 1~	Sales code:	105G6387
-------------	--	-------------	-----------------

Compressor design

Oil type	Polyolester	Refrigerant(s)	R134a
Oil viscosity	19,2cSt	Displacement	12,55cm ³ / 0,77cu.in
Oil quantity	301cm ³ / 10,2fl.oz	Compressors on pallet	80
Refr. charge - tech. limit	600g / 21,2oz		
Free gas volume comp.	2360cm ³ / 79,8fl.oz		
Weight	11,5kg / 25,4lbs		
Motor protection	1# internal		
Winding resistance main	4,94Ω (at 25°C)		
Winding resistance aux	8,89Ω (at 25°C)		
Max. winding temp.	125°C / 257°F		
Max. discharge temp.	120°C / 248°F		



General - Configurations with NLE12.6MF.2

	Conf. 1	Conf. 2	Conf. 3	Conf. 4	Conf. 5
Motorconfiguration	CSIR	RSIR	RSCR	CSIR	RSCR
Power supply (nominal)	220-240V/50Hz	220-240V/50Hz	220-240V/50Hz	208-230V/60Hz	208-230V/60Hz
Number of phases	1	1	1	1	1
Voltage range	198-254V	198-254V	198-254V	198-254V	198-254V
Approvals	VDE	VDE	VDE	VDE	VDE
Starting torque	HST	LST	LST	HST	LST
Note	- / -				

Applications with NLE12.6MF.2

	Conf. 1	Conf. 2	Conf. 3	Conf. 4	Conf. 5
Refrigerant	R134a	R134a	R134a	R134a	R134a
Application	LBP+MBP	LBP+MBP	LBP+MBP	LBP	LBP
System cooling	fan 3m/s	fan 3m/s	fan 3m/s	fan 3m/s	fan 3m/s
Hot gas defrost	OK	OK	OK	OK	OK
Long interval pull down	OK	OK	OK	- / -	- / -

Electrical data - Configurations with NLE12.6MF.2

	Conf. 1	Conf. 2	Conf. 3	Conf. 4	Conf. 5
Starting device type	relay	PTC	PTC	relay	PTC
Run capacitor	0μF	0μF	4μF	0μF	4μF
Start capacitor	80μF	0μF	0μF	80μF	0μF
LRA (locked rotor amps / 4s)	13,65A	14,45A	14,2A	13,06A	12,87A
RLA (rated load amps / 1s)	2,8A	2,8A	2,5A	2,22A	2,03A
Cut in current	13,65A	19,4A	19,4A	13,06A	17,92A
IP class	21	21	21	21	21

Model

Designation

NLE12.6MF.2 208-230V/60Hz 1~ 220-240V/50Hz 1~

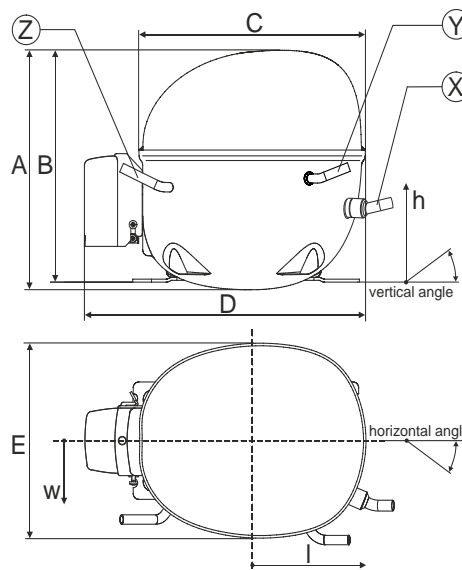
Sales code:

105G6387

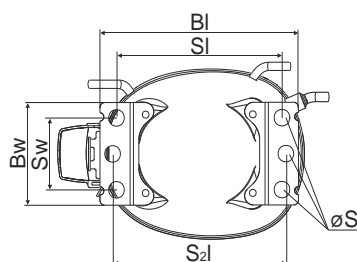
Compressor dimensions

Housing	A Height	203mm / 7,99in
	B Height	197mm / 7,76in
	C Length shell	205mm / 8,07in
	D Length w. cover	254mm / 10in
	E Width	166mm / 6,54in

Connectors		Suction	Discharge	Process
		X	Y	Z
Diameter	[mm]	øi 8,11-8,29	øi 6,11-6,29	øi 6,11-6,29
	(i:inside, o:outside) [in]	øi 0,32-0,33	øi 0,24-0,25	øi 0,24-0,25
Material		copper	copper	copper
Horizontal angle	±2°	0°	0°	0
Vertical angle	±2°	15°	21°	155°
Position l/h/w	[mm]	132/69/56	94/99/86	-111/92/72
	[in]	5,2/2,7/2,2	3,7/3,9/3,4	-4,4/3,6/2,8
Straight tube l.	[mm]	12	12	12
	[in]	0,5	0,5	0,5

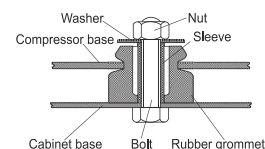


Compressor fixation

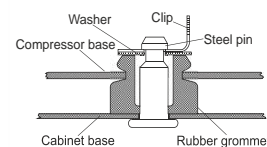


Baseplate	[mm]	[inch]
BI	204	8.03
Bw	100	3.94
Small holes		
SI	170	6.7
Sw	70	2.76
S1	178	7
øS	ø 16	ø 0.63

Bolt joint



Snap-on



Mounting accessories

	one comp.	multi pack
Bolt joint M6 ø16mm	118-1917	118-1918
Bolt joint ø1/4" ø16mm	118-1946	
Snap-on ø7,3 ø16mm	118-1947	118-1919

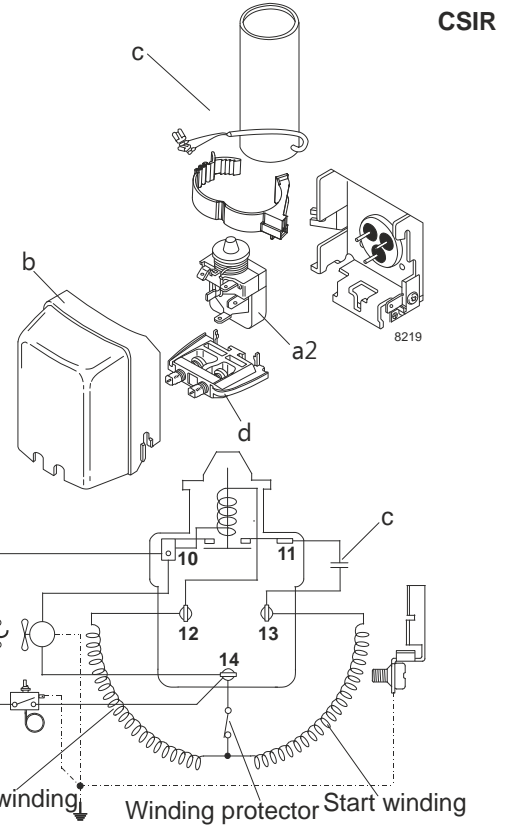
Model

Designation	NLE12.6MF.2 220-240V/50Hz	Conf. 1	Sales code:	105G6387
-------------	----------------------------------	---------	-------------	-----------------

Configuration

Motorconfiguration	CSIR
Power supply (nominal)	220-240V/50Hz 1~
Refrigerant	R134a
Application	LBP+MBP
Voltage range	198-254V
Starting torque	HST
Approvals	VDE

Electrical accessories / wiring diagram

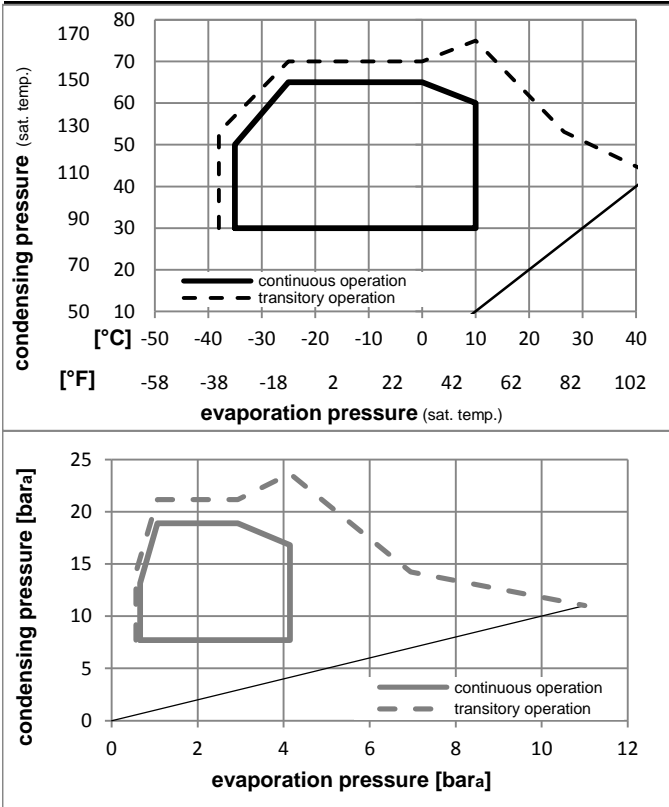


Ambient temperatures / system cooling

Ambient temperature min.:	10°C / 50°F
Ambient temperature max.:	43°C / 110°F

System cooling			
T ambient	LBP	MBP	HBP
32°C / 90°F	fan 3m/s	fan 3m/s	n/a
38°C / 100°F	fan 3m/s	fan 3m/s	n/a
43°C / 110°F	fan 3m/s	fan 3m/s	n/a

Operation pressure range



Components:

a2	relay	117U6005
c	start capacitor (80µF)	117U5015
b	plastic cover	103N2010
d	cord relief	103N1010

Alternative components:

b	plastic cover	103N2011
---	---------------	----------

Model

Designation **NLE12.6MF.2 220-240V/50Hz** Conf. 1 Sales code: **105G6387**

Optimization + standard conditions

220-240V/50Hz 1~, CSIR, fan 3m/s, VDE

	Evaporating pressure (saturation temperature)				Condensing pressure (saturation temperature)						Power consumption			ASHRAE MBP				
	pe	pc	RGT	Tliq	Cooling capacity			COP	EER	P1	I	Ref. mass flow						
	[°C]	[°F]	[°C]	[°F]	[W]	[Btu/h]	[kcal/h]	[W/W]	[Btu/Wh]	[kcal/Wh]	[W]	[A]	[kg/h]					
	-6,66	20	54,4	130	35	95	46,1	115	739,2	2524	636,1	1,98	6,77	1,71	372,9	2,43	16,13	ASHRAE MBP
	-10	14	55	131	32	89,6	55	131	567,0	1936	487,9	1,65	5,63	1,42	343,9	2,34	13,71	cecomaf MBP
	-10	14	45	113	20	68	45	113	657,3	2245	565,7	2,00	6,82	1,72	329,3	2,29	15,39	EN12900 MBP
	-6,66	20	48,9	120	18,3	65	48,9	120	711,2	2429	612,0	1,97	6,72	1,69	361,7	2,40	17,57	ARI540 MBP
	-10	14	45	113	32	89,6	45	113	681,9	2329	586,9	2,07	7,07	1,78	329,3	2,29	14,92	opt
	-25	-13	45	113	32	89,6	45	113	312,2	1066	268,7	1,38	4,72	1,19	225,7	2,02	6,76	opt

Performance tables

220-240V/50Hz 1~, CSIR, fan 3m/s, VDE

	pe	Cooling capacity			COP	EER	P1	I	m		
	[°C]	[°F]	[W]	[Btu/h]	[kcal/h]	[W/W]	[Btu/Wh]	[kcal/Wh]	[W]	[A]	[kg/h]
[°C / °F]	-35	-31	197,3	674	169,8	1,12	3,82	0,96	176,4	1,97	4,26
cond. pressure	-25	-13	312,2	1066	268,7	1,38	4,72	1,19	225,7	2,02	6,76
pc= 45/113	-15	5	532,3	1818	458,1	1,82	6,23	1,57	291,9	2,18	11,60
return gas temp.	-10	14	681,9	2329	586,9	2,07	7,07	1,78	329,3	2,29	14,92
RGT= 32/90	0	32	1060,1	3620	912,3	2,60	8,87	2,23	408,2	2,56	23,44
liquid temp	5	41	1288,6	4401	1109,0	2,88	9,82	2,48	448,0	2,70	28,69
Tliq= 45/113	10	50	1543,6	5272	1328,4	3,17	10,82	2,73	487,0	2,85	34,64
[°C / °F]	-35	-31	198,1	677	170,5	1,12	3,81	0,96	177,6	1,98	4,71
cond. pressure	-25	-13	265,4	906	228,4	1,16	3,97	1,00	228,5	2,03	6,35
pc= 55/131	-15	5	439,7	1502	378,4	1,46	4,98	1,26	301,4	2,21	10,58
return gas temp	-10	14	567,0	1936	487,9	1,65	5,63	1,42	343,9	2,34	13,71
RGT= 32/90	0	32	901,8	3080	776,1	2,06	7,05	1,78	436,9	2,66	22,06
liquid temp	5	41	1109,3	3788	954,7	2,28	7,80	1,97	485,6	2,84	27,33
Tliq= 55/131	10	50	1343,6	4589	1156,3	2,51	8,58	2,16	534,7	3,04	33,40

Model

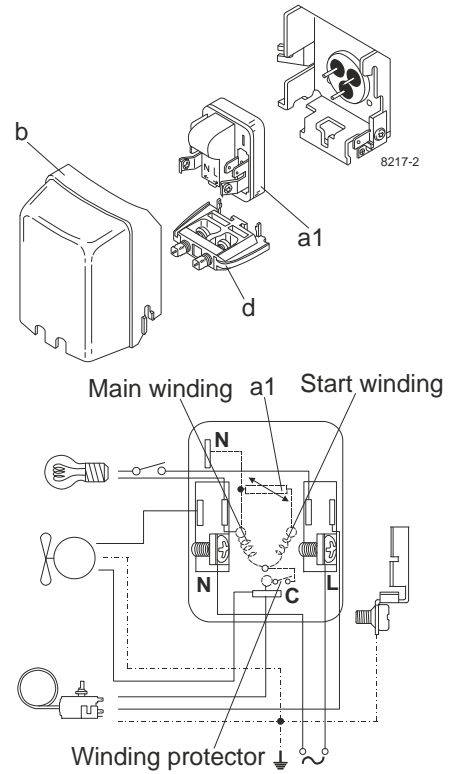
Designation	NLE12.6MF.2 220-240V/50Hz	Conf. 2	Sales code:	105G6387
-------------	----------------------------------	---------	-------------	-----------------

Configuration

Motorconfiguration	RSIR
Power supply (nominal)	220-240V/50Hz 1~
Refrigerant	R134a
Application	LBP+MBP
Voltage range	198-254V
Starting torque	LST
Approvals	VDE

Electrical accessories / wiring diagram

RSIR

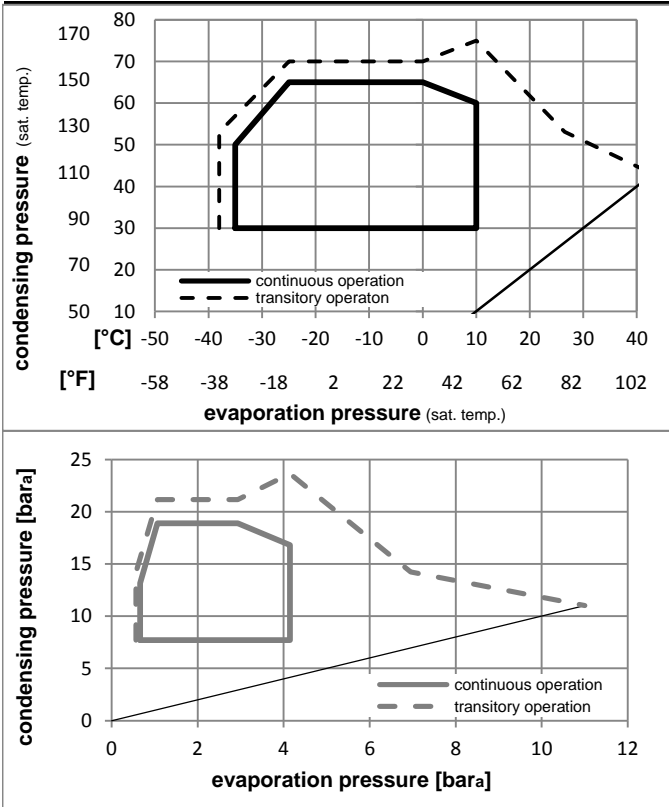


Ambient temperatures / system cooling

Ambient temperature min.:	10°C / 50°F
Ambient temperature max.:	43°C / 110°F

System cooling			
T ambient	LBP	MBP	HBP
32°C / 90°F	fan 3m/s	fan 3m/s	n/a
38°C / 100°F	fan 3m/s	fan 3m/s	n/a
43°C / 110°F	fan 3m/s	fan 3m/s	n/a

Operation pressure range



Components:

a1	e-PTC starter (220V, 250hm, 4.8mm)	103N0050
b	plastic cover	103N2010
d	cord relief	103N1010

Alternative components:

b	plastic cover	103N2011
---	---------------	----------

Model

Designation **NLE12.6MF.2 220-240V/50Hz** Conf. **2** Sales code: **105G6387**

Optimization + standard conditions

220-240V/50Hz 1~, RSIR, fan 3m/s, VDE

	Evaporating pressure (saturation temperature)				Condensing pressure (saturation temperature)						Power consumption			ASHRAE MBP				
	pe	pc	RGT	Tliq	Cooling capacity			COP	EER	P1	I	Ref. mass flow						
	[°C]	[°F]	[°C]	[°F]	[W]	[Btu/h]	[kcal/h]	[W/W]	[Btu/Wh]	[kcal/Wh]	[W]	[A]	[kg/h]					
	-6,66	20	54,4	130	35	95	46,1	115	739,2	2524	636,1	1,98	6,77	1,71	372,9	2,43	16,13	
	-10	14	55	131	32	89,6	55	131	567,0	1936	487,9	1,65	5,63	1,42	343,9	2,34	13,71	cecomaf MBP
	-10	14	45	113	20	68	45	113	657,3	2245	565,7	2,00	6,82	1,72	329,3	2,29	15,39	EN12900 MBP
	-6,66	20	48,9	120	18,3	65	48,9	120	711,2	2429	612,0	1,97	6,72	1,69	361,7	2,40	17,57	ARI540 MBP
	-10	14	45	113	32	89,6	45	113	681,9	2329	586,9	2,07	7,07	1,78	329,3	2,29	14,92	opt
	-25	-13	45	113	32	89,6	45	113	312,2	1066	268,7	1,38	4,72	1,19	225,7	2,02	6,76	opt

Performance tables

220-240V/50Hz 1~, RSIR, fan 3m/s, VDE

	pe	Cooling capacity			COP	EER	P1	I	m		
	[°C]	[°F]	[W]	[Btu/h]	[kcal/h]	[W/W]	[Btu/Wh]	[kcal/Wh]	[W]	[A]	[kg/h]
[°C / °F]	-35	-31	197,3	674	169,8	1,12	3,82	0,96	176,4	1,97	4,26
cond. pressure	-25	-13	312,2	1066	268,7	1,38	4,72	1,19	225,7	2,02	6,76
pc= 45/113	-15	5	532,3	1818	458,1	1,82	6,23	1,57	291,9	2,18	11,60
return gas temp.	-10	14	681,9	2329	586,9	2,07	7,07	1,78	329,3	2,29	14,92
RGT= 32/90	0	32	1060,1	3620	912,3	2,60	8,87	2,23	408,2	2,56	23,44
liquid temp	5	41	1288,6	4401	1109,0	2,88	9,82	2,48	448,0	2,70	28,69
Tliq= 45/113	10	50	1543,6	5272	1328,4	3,17	10,82	2,73	487,0	2,85	34,64
[°C / °F]	-35	-31	198,1	677	170,5	1,12	3,81	0,96	177,6	1,98	4,71
cond. pressure	-25	-13	265,4	906	228,4	1,16	3,97	1,00	228,5	2,03	6,35
pc= 55/131	-15	5	439,7	1502	378,4	1,46	4,98	1,26	301,4	2,21	10,58
return gas temp	-10	14	567,0	1936	487,9	1,65	5,63	1,42	343,9	2,34	13,71
RGT= 32/90	0	32	901,8	3080	776,1	2,06	7,05	1,78	436,9	2,66	22,06
liquid temp	5	41	1109,3	3788	954,7	2,28	7,80	1,97	485,6	2,84	27,33
Tliq= 55/131	10	50	1343,6	4589	1156,3	2,51	8,58	2,16	534,7	3,04	33,40

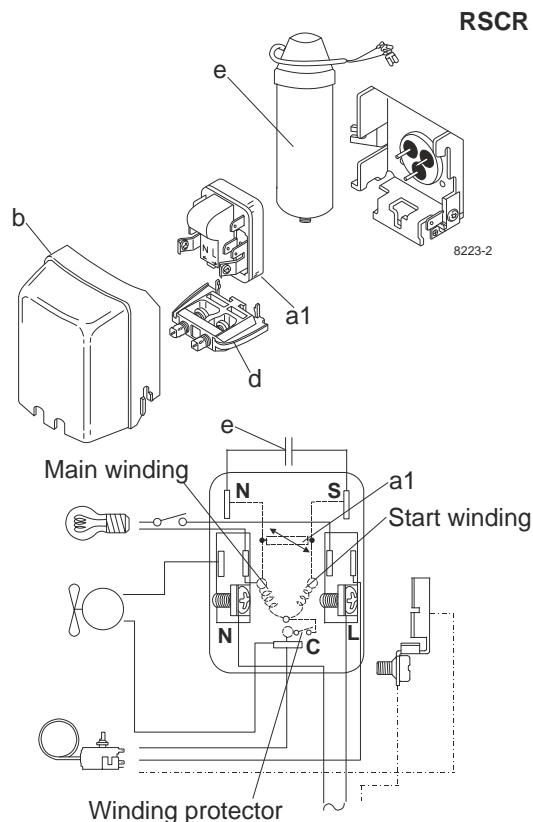
Model

Designation	NLE12.6MF.2 220-240V/50Hz	Conf. 3	Sales code:	105G6387
-------------	----------------------------------	---------	-------------	-----------------

Configuration

Motorconfiguration	RSCR
Power supply (nominal)	220-240V/50Hz 1~
Refrigerant	R134a
Application	LBP+MBP
Voltage range	198-254V
Starting torque	LST
Approvals	VDE

Electrical accessories / wiring diagram

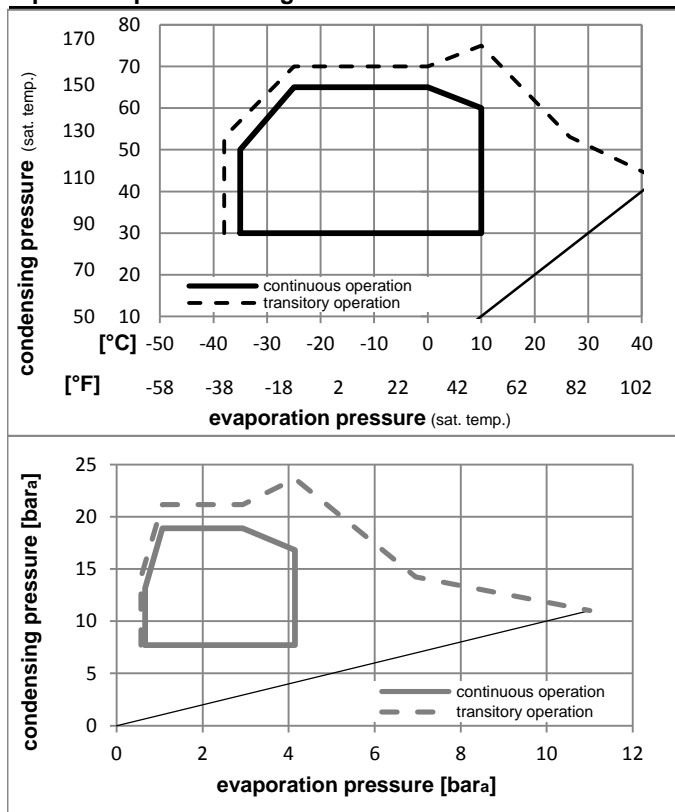


Ambient temperatures / system cooling

Ambient temperature min.:	10°C / 50°F
Ambient temperature max.:	43°C / 110°F

System cooling			
T ambient	LBP	MBP	HBP
32°C / 90°F	fan 3m/s	fan 3m/s	n/a
38°C / 100°F	fan 3m/s	fan 3m/s	n/a
43°C / 110°F	fan 3m/s	fan 3m/s	n/a

Operation pressure range



Components:

a1	e-PTC starter (220V, 250hm, 4.8mm)	103N0050
e	run capacitor (4μF, 4.8mm)	117-7119
b	plastic cover	103N2010
d	cord relief	103N1010
	bracket for run capacitor	117-0300
	screw M4x8mm	117-0301

Alternative components:

b	plastic cover	103N2011
---	---------------	----------

Model

Designation **NLE12.6MF.2 220-240V/50Hz** Conf. **3** Sales code: **105G6387**

Optimization + standard conditions

220-240V/50Hz 1~, RSCR, fan 3m/s, VDE

	Evaporating pressure (saturation temperature)				Condensing pressure (saturation temperature)						Power consumption			ASHRAE MBP				
	pe	pc	RGT	Tliq	Cooling capacity			COP	EER	P1	I	Ref. mass flow						
	[°C]	[°F]	[°C]	[°F]	[W]	[Btu/h]	[kcal/h]	[W/W]	[Btu/Wh]	[kcal/Wh]	[W]	[A]	[kg/h]					
	-6,66	20	54,4	130	35	95	46,1	115	750,7	2564	646,1	2,07	7,07	1,78	362,5	2,36	16,38	
	-10	14	55	131	32	89,6	55	131	575,8	1967	495,6	1,72	5,88	1,48	334,4	2,27	13,92	cecomaf MBP
	-10	14	45	113	20	68	45	113	667,6	2280	574,5	2,09	7,12	1,79	320,1	2,23	15,63	EN12900 MBP
	-6,66	20	48,9	120	18,3	65	48,9	120	722,3	2467	621,6	2,05	7,01	1,77	351,6	2,33	17,84	ARI540 MBP
	-10	14	45	113	32	89,6	45	113	692,6	2365	596,1	2,16	7,39	1,86	320,1	2,23	15,16	opt
	-25	-13	45	113	32	89,6	45	113	317,1	1083	272,9	1,45	4,94	1,24	219,4	1,97	6,87	opt

Performance tables

220-240V/50Hz 1~, RSCR, fan 3m/s, VDE

	pe	Cooling capacity			COP	EER	P1	I	m		
	[°C]	[°F]	[W]	[Btu/h]	[kcal/h]	[W/W]	[Btu/Wh]	[kcal/Wh]	[W]	[A]	[kg/h]
[°C / °F]	-35	-31	200,4	684	172,5	1,17	3,99	1,01	171,6	1,91	4,32
cond. pressure	-25	-13	317,1	1083	272,9	1,45	4,94	1,24	219,4	1,97	6,87
pc= 45/113	-15	5	540,7	1847	465,3	1,91	6,51	1,64	283,8	2,12	11,79
return gas temp.	-10	14	692,6	2365	596,1	2,16	7,39	1,86	320,1	2,23	15,16
RGT= 32/90	0	32	1076,7	3677	926,6	2,71	9,26	2,33	396,9	2,48	23,81
liquid temp	5	41	1308,8	4470	1126,4	3,00	10,26	2,59	435,6	2,63	29,14
Tliq= 45/113	10	50	1567,7	5354	1349,2	3,31	11,31	2,85	473,5	2,77	35,18
[°C / °F]	-35	-31	201,2	687	173,1	1,17	3,98	1,00	172,6	1,93	4,79
cond. pressure	-25	-13	269,5	921	232,0	1,21	4,14	1,04	222,2	1,97	6,45
pc= 55/131	-15	5	446,6	1525	384,3	1,52	5,20	1,31	293,0	2,15	10,75
return gas temp	-10	14	575,8	1967	495,6	1,72	5,88	1,48	334,4	2,27	13,92
RGT= 32/90	0	32	915,9	3128	788,2	2,16	7,36	1,86	424,8	2,58	22,40
liquid temp	5	41	1126,6	3848	969,6	2,39	8,15	2,05	472,1	2,76	27,76
Tliq= 55/131	10	50	1364,6	4660	1174,4	2,62	8,96	2,26	519,9	2,95	33,92

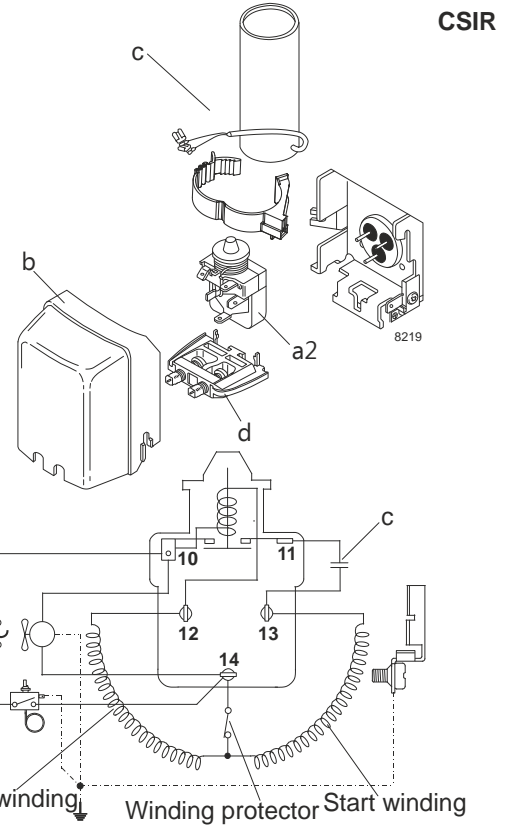
Model

Designation	NLE12.6MF.2 208-230V/60Hz	Conf. 4	Sales code:	105G6387
-------------	----------------------------------	---------	-------------	-----------------

Configuration

Motorconfiguration	CSIR
Power supply (nominal)	208-230V/60Hz 1~
Refrigerant	R134a
Application	LBP
Voltage range	198-254V
Starting torque	HST
Approvals	VDE

Electrical accessories / wiring diagram

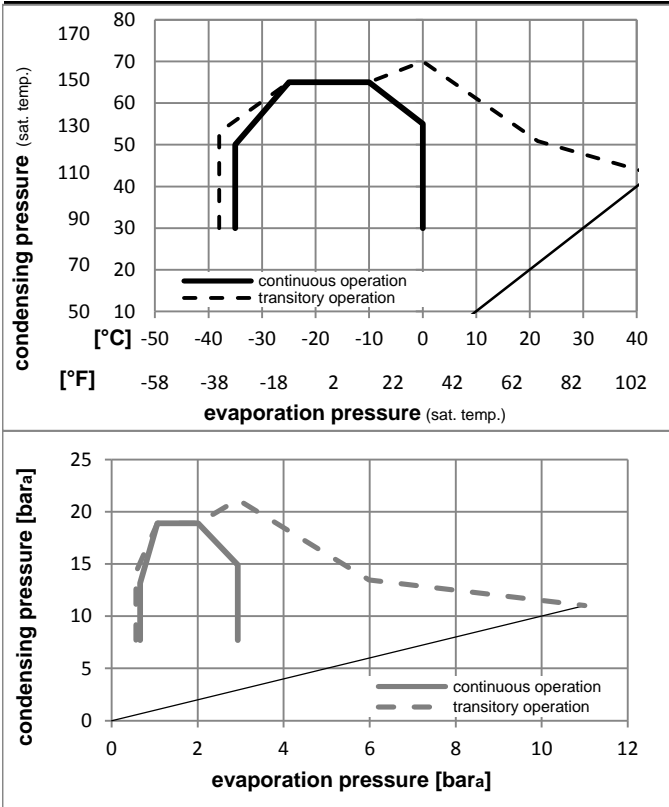


Ambient temperatures / system cooling

Ambient temperature min.:	10°C / 50°F
Ambient temperature max.:	43°C / 110°F

System cooling			
T ambient	LBP	MBP	HBP
32°C / 90°F	fan 3m/s	n/a	n/a
38°C / 100°F	fan 3m/s	n/a	n/a
43°C / 110°F	fan 3m/s	n/a	n/a

Operation pressure range



Components:

a2	relay	117U6005
c	start capacitor (80μF)	117U5015
b	plastic cover	103N2010
d	cord relief	103N1010

Alternative components:

b	plastic cover	103N2011
---	---------------	----------

Model

Designation **NLE12.6MF.2 208-230V/60Hz** Conf. 4 Sales code: **105G6387**

Optimization + standard conditions

208-230V/60Hz 1~, CSIR, fan 3m/s, VDE

	Evaporating pressure (saturation temperature)				Condensing pressure (saturation temperature)						Power consumption			ASHRAE MBP				
	pe	pc	RGT	Tliq	Cooling capacity			COP	EER	P1	I	Ref. mass flow						
	[°C]	[°F]	[°C]	[°F]	[W]	[Btu/h]	[kcal/h]	[W/W]	[Btu/Wh]	[kcal/Wh]	[W]	[A]	[kg/h]					
	-6,66	20	54,4	130	35	95	46,1	115	890,5	3041	766,4	2,00	6,84	1,72	444,8	2,90	19,43	
	-10	14	55	131	32	89,6	55	131	683,0	2333	587,8	1,66	5,69	1,43	410,3	2,79	16,52	cecomaf MBP
	-10	14	45	113	20	68	45	113	791,9	2704	681,5	2,02	6,88	1,73	392,8	2,73	18,54	EN12900 MBP
	-6,66	20	48,9	120	18,3	65	48,9	120	856,8	2926	737,3	1,99	6,78	1,71	431,5	2,86	21,16	ARI540 MBP
	-10	14	45	113	32	89,6	45	113	821,5	2806	707,0	2,09	7,14	1,80	392,8	2,73	17,98	opt
	-25	-13	45	113	32	89,6	45	113	376,1	1284	323,7	1,40	4,77	1,20	269,2	2,41	8,15	opt

Performance tables

208-230V/60Hz 1~, CSIR, fan 3m/s, VDE

	pe	Cooling capacity			COP	EER	P1	I	m		
	[°C]	[°F]	[W]	[Btu/h]	[kcal/h]	[W/W]	[Btu/Wh]	[kcal/Wh]	[W]	[A]	[kg/h]
[°C / °F]	-35	-31	237,7	812	204,6	1,13	3,86	0,97	210,5	2,35	5,13
cond. pressure	-30	-22	291,0	994	250,5	1,23	4,20	1,06	236,8	2,36	6,29
pc= 45/113	-25	-13	376,1	1284	323,7	1,40	4,77	1,20	269,2	2,41	8,15
return gas temp.	-23,3	-10	412,2	1408	354,8	1,46	5,00	1,26	281,5	2,44	8,94
RGT= 32/90	-15	5	641,3	2190	551,9	1,84	6,29	1,58	348,3	2,60	13,98
liquid temp	-5	23	1033,5	3529	889,4	2,35	8,03	2,02	439,4	2,88	22,73
Tliq= 45/113	0	32	1277,1	4362	1099,1	2,62	8,96	2,26	487,0	3,05	28,24
[°C / °F]	-35	-31	238,7	815	205,4	1,13	3,85	0,97	211,8	2,37	5,68
cond. pressure	-30	-22	263,1	898	226,4	1,10	3,77	0,95	238,4	2,37	6,27
pc= 55/131	-25	-13	319,7	1092	275,2	1,17	4,01	1,01	272,6	2,42	7,64
return gas temp	-23,3	-10	346,3	1183	298,1	1,21	4,14	1,04	285,8	2,45	8,29
RGT= 32/90	-15	5	529,7	1809	455,9	1,47	5,03	1,27	359,5	2,63	12,75
liquid temp	-5	23	868,6	2966	747,5	1,87	6,39	1,61	464,5	2,97	21,11
Tliq= 55/131	0	32	1086,4	3710	934,9	2,08	7,12	1,79	521,2	3,17	26,57

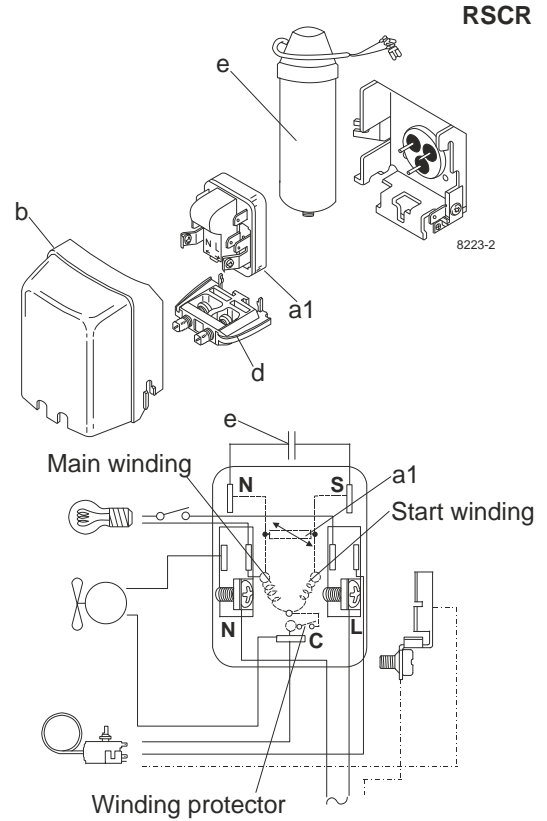
Model

Designation	NLE12.6MF.2 208-230V/60Hz	Conf. 5	Sales code:	105G6387
-------------	----------------------------------	---------	-------------	-----------------

Configuration

Motorconfiguration	RSCR
Power supply (nominal)	208-230V/60Hz 1~
Refrigerant	R134a
Application	LBP
Voltage range	198-254V
Starting torque	LST
Approvals	VDE

Electrical accessories / wiring diagram

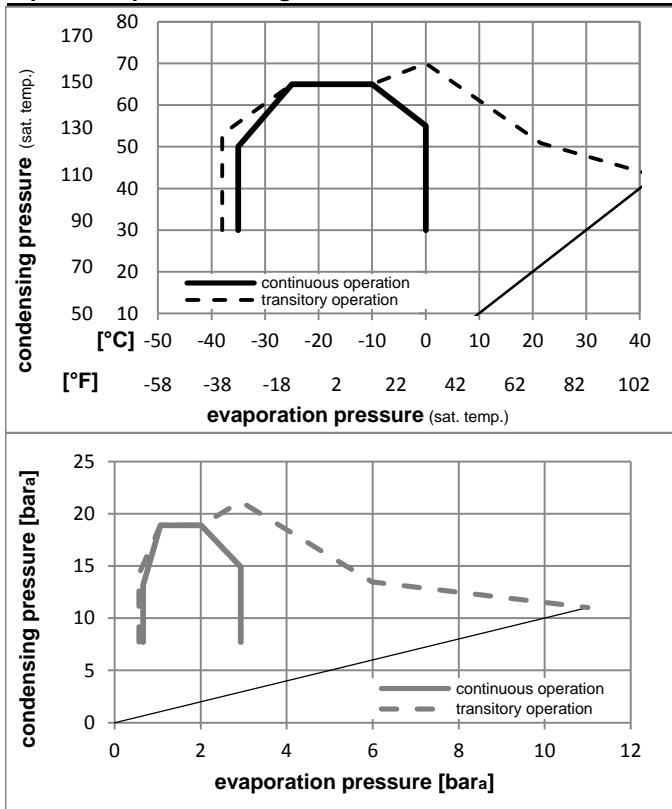


Ambient temperatures / system cooling

Ambient temperature min.:	10°C / 50°F
Ambient temperature max.:	43°C / 110°F

System cooling			
T ambient	LBP	MBP	HBP
32°C / 90°F	fan 3m/s	n/a	n/a
38°C / 100°F	fan 3m/s	n/a	n/a
43°C / 110°F	fan 3m/s	n/a	n/a

Operation pressure range



Components:

a1	e-PTC starter (220V, 250hm, 4.8mm)	103N0050
e	run capacitor (4μF, 4.8mm)	117-7119
b	plastic cover	103N2010
d	cord relief	103N1010
	bracket for run capacitor	117-0300
	screw M4x8mm	117-0301

Alternative components:

b	plastic cover	103N2011
---	---------------	----------

Model

Designation **NLE12.6MF.2 208-230V/60Hz** Conf. **5** Sales code: **105G6387**

Optimization + standard conditions

208-230V/60Hz 1~, RSCR, fan 3m/s, VDE

	Evaporating pressure (saturation temperature)				Condensing pressure (saturation temperature)						Power consumption			ASHRAE MBP				
	pe	pc	RGT	Tliq	Cooling capacity			COP	EER	P1	I	Ref. mass flow m						
	[°C]	[°F]	[°C]	[°F]	[W]	[Btu/h]	[kcal/h]	[W/W]	[Btu/Wh]	[kcal/Wh]	[W]	[A]	[kg/h]					
	-6,66	20	54,4	130	35	95	46,1	115	904,4	3089	778,4	2,09	7,14	1,80	432,5	2,82	19,73	
	-10	14	55	131	32	89,6	55	131	693,7	2369	597,0	1,74	5,94	1,50	398,9	2,71	16,77	cecomaf MBP
	-10	14	45	113	20	68	45	113	804,3	2747	692,2	2,11	7,19	1,81	381,9	2,66	18,83	EN12900 MBP
	-6,66	20	48,9	120	18,3	65	48,9	120	870,2	2972	748,9	2,07	7,08	1,79	419,5	2,78	21,49	ARI540 MBP
	-10	14	45	113	32	89,6	45	113	834,4	2850	718,1	2,18	7,46	1,88	381,9	2,66	18,26	opt
	-25	-13	45	113	32	89,6	45	113	382,0	1305	328,7	1,46	4,98	1,26	261,8	2,35	8,28	opt

Performance tables

208-230V/60Hz 1~, RSCR, fan 3m/s, VDE

	pe	Cooling capacity			COP	EER	P1	I	m		
	[°C]	[°F]	[W]	[Btu/h]	[kcal/h]	[W/W]	[Btu/Wh]	[kcal/Wh]	[W]	[A]	[kg/h]
[°C / °F]	-35	-31	237,7	812	204,6	1,13	3,86	0,97	210,5	2,35	5,13
cond. pressure	-30	-22	291,0	994	250,5	1,23	4,20	1,06	236,8	2,36	6,29
pc= 45/113	-25	-13	376,1	1284	323,7	1,40	4,77	1,20	269,2	2,41	8,15
return gas temp.	-23,3	-10	412,2	1408	354,8	1,46	5,00	1,26	281,5	2,44	8,94
RGT= 32/90	-15	5	641,3	2190	551,9	1,84	6,29	1,58	348,3	2,60	13,98
liquid temp	-5	23	1033,5	3529	889,4	2,35	8,03	2,02	439,4	2,88	22,73
Tliq= 45/113	0	32	1277,1	4362	1099,1	2,62	8,96	2,26	487,0	3,05	28,24
[°C / °F]	-35	-31	238,7	815	205,4	1,13	3,85	0,97	211,8	2,37	5,68
cond. pressure	-30	-22	263,1	898	226,4	1,10	3,77	0,95	238,4	2,37	6,27
pc= 55/131	-25	-13	319,7	1092	275,2	1,17	4,01	1,01	272,6	2,42	7,64
return gas temp	-23,3	-10	346,3	1183	298,1	1,21	4,14	1,04	285,8	2,45	8,29
RGT= 32/90	-15	5	529,7	1809	455,9	1,47	5,03	1,27	359,5	2,63	12,75
liquid temp	-5	23	868,6	2966	747,5	1,87	6,39	1,61	464,5	2,97	21,11
Tliq= 55/131	0	32	1086,4	3710	934,9	2,08	7,12	1,79	521,2	3,17	26,57