

NLE12.6MN Energy-optimized MBP Compressor R290 220-240V 50Hz

General

Code number	105H6377
Approvals	EN 60335-2-34 w. Annex AA
Compressors on pallet	80

Application

Application	MBP					
	Hz	50		60		
Frequency	Hz	50		60		
Evaporating temperature	°C	-25 to 10		-		
Voltage range	V	198 to 254		-		
Max. condensing temperature continuous (short)	°C	65 (65)		-		
Max. winding temperature continuous (short)	°C	125 (135)		-		

Cooling requirements

Frequency	Hz	50			60		
		LBP	MBP	HBP	LBP	MBP	HBP
32°C		-	F ₂	-	-	-	-
38°C		-	F ₂	-	-	-	-
43°C		-	F ₂	-	-	-	-
Remarks on application:							

Motor

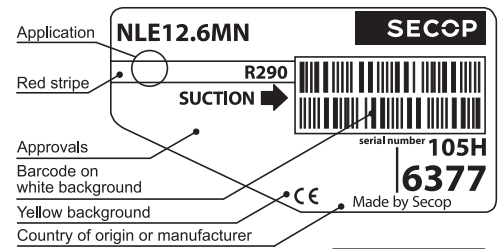
Motor type	CSIR/RSIR/RSCR		
LRA (rated after 4 sec. UL984), HST LST	A	14.4	15.1
Cut in Current, HST LST	A	14.4	16.9
Resistance, main start winding (25°C)	Ω	4.9	7.9

Design

Displacement	cm ³	12.55
Oil quantity (type)	cm ³	300 (polyolester)
Maximum refrigerant charge	g	150
Free gas volume in compressor	cm ³	2360
Weight without electrical equipment	kg	12.1

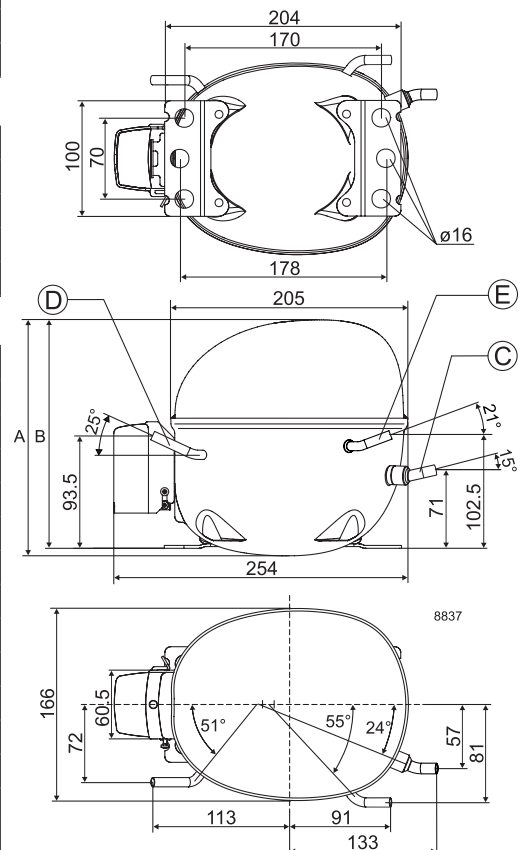
Dimensions

Height	mm	A	203
		B	197
		B1	-
		B2	-
Suction connector	location/I.D. mm angle	C	8.2 15°
		material comment	Copper Rubber plug
Process connector	location/I.D. mm angle	D	6.2 25°
		material comment	Copper Rubber plug
Discharge connector	location/I.D. mm angle	E	6.2 21°
		material comment	Copper Rubber plug
Oil cooler connector	location/I.D. mm angle	F	-
		material comment	-
Connector tolerance	I.D. mm		±0.09
Remarks:			



Yellow warning label

- S = Static cooling normally sufficient
- O = Oil cooling
- F₁ = Fan cooling 1.5 m/s (compressor compartment temperature equal to ambient temperature)
- F₂ = Fan cooling 3.0 m/s necessary
- SG = Suction gas cooling normally sufficient
- = not applicable in this area



EN 12900 LBP

 220V, 50Hz, fan cooling F₂

Evap. temp. in °C	-45	-40	-35	-30	-25	-23.3	-20	-15	-10	-6.7	-5	0	5	7.2	10	15	20
Capacity in W					565	608	698	855	1039	1176	1251	1494	1768	1899	2077		
Power cons. in W					356	369	393	430	466	489	500	532	562	574	589		
Current cons. in A					2.36	2.40	2.48	2.60	2.72	2.81	2.85	2.99	3.13	3.20	3.29		
COP in W/W					1.59	1.65	1.77	1.99	2.23	2.41	2.50	2.81	3.15	3.31	3.53		

EN 12900 MBP

 220V, 50Hz, fan cooling F₂

Evap. temp. in °C	-45	-40	-35	-30	-25	-23.3	-20	-15	-10	-6.7	-5	0	5	7.2	10	15	20
Capacity in W					524	564	648	795	967	1095	1165	1391	1648	1770	1936		
Power cons. in W					368	381	406	446	486	512	525	564	601	617	637		
Current cons. in A					2.41	2.45	2.52	2.65	2.77	2.86	2.91	3.06	3.22	3.29	3.39		
COP in W/W					1.43	1.48	1.60	1.78	1.99	2.14	2.22	2.47	2.74	2.87	3.04		

ASHRAE LBP

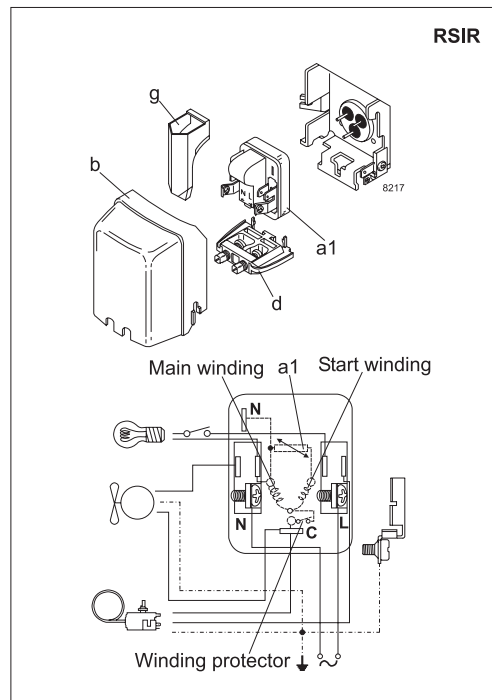
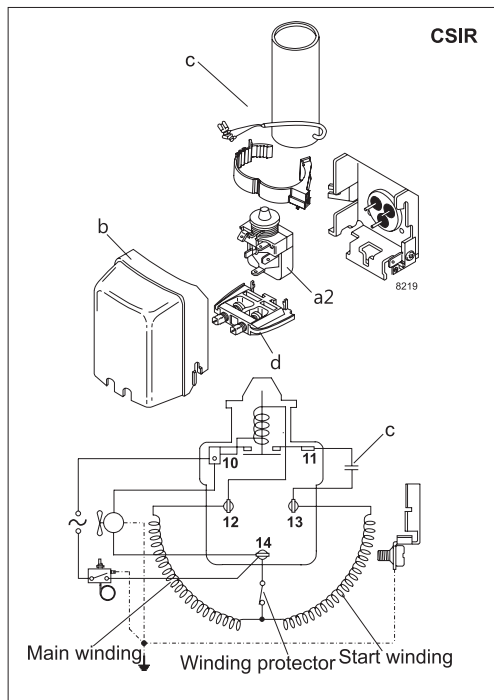
 220V, 50Hz, fan cooling F₂

Evap. temp. in °C	-45	-40	-35	-30	-25	-23.3	-20	-15	-10	-6.7	-5	0	5	7.2	10	15	20
Capacity in W					558	602	694	855	1043	1183	1261	1510	1793	1929	2113		
Power cons. in W					371	385	413	458	505	536	553	603	652	674	702		
Current cons. in A					2.49	2.54	2.64	2.80	2.98	3.10	3.16	3.37	3.58	3.68	3.82		
COP in W/W					1.50	1.56	1.68	1.87	2.07	2.21	2.28	2.51	2.75	2.86	3.01		

ASHRAE MBP/HBP

 220V, 50Hz, fan cooling F₂

Evap. temp. in °C	-45	-40	-35	-30	-25	-23.3	-20	-15	-10	-6.7	-5	0	5	7.2	10	15	20
Capacity in W					499	537	620	763	930	1055	1123	1344	1595	1715	1877		
Power cons. in W					368	381	409	453	499	530	547	595	644	666	693		
Current cons. in A					2.49	2.54	2.64	2.80	2.98	3.10	3.16	3.37	3.58	3.68	3.82		
COP in W/W					1.36	1.41	1.52	1.69	1.86	1.99	2.05	2.26	2.47	2.58	2.71		



Accessories for	NLE12.6MN	Figure	Code number
ePTC starting device	6.3 mm spade connectors	a1	-
	4.8 mm spade connectors		103N0050
Starting relay	6.3 mm spade connectors	a2	117U7011
Start. capacitor 80 µF	6.3 mm spade connectors	c	117U5015
Cover		b	103N2010
Cord relief		d	103N1010
Protection screen for PTC		g	-

Test conditions	EN 12900		ASHRAE	
	LBP	MBP	LBP	MBP
Condensing temperature	40°C	45°C	54.4°C	54.4°C
Ambient temperature	32°C	32°C	32.2°C	35°C
Suction gas temperature	20°C	20°C	32.2°C	35°C
Liquid temperature	no subcooling		32.2°C	46.1°C

Mounting accessories	Code number	
Bolt joint for one comp.	Ø: 16 mm	118-1917
Bolt joint in quantities	Ø: 16 mm	118-1918
Snap-on in quantities	Ø: 16 mm	118-1919

EN 12900 LBP

 220V, 50Hz, RC 4 µF, ePTC consumption incl., fan cooling F₂

Evap. temp. in °C	-45	-40	-35	-30	-25	-23.3	-20	-15	-10	-6.7	-5	0	5	7.2	10	15	20
Capacity in W					568	611	703	862	1048	1186	1263	1508	1785	1918	2097		
Power cons. in W					342	354	377	412	446	467	478	507	534	545	558		
Current cons. in A					2.07	2.11	2.19	2.31	2.42	2.50	2.54	2.64	2.74	2.78	2.83		
COP in W/W					1.66	1.73	1.86	2.09	2.35	2.54	2.64	2.97	3.34	3.52	3.76		

EN 12900 MBP

 220V, 50Hz, RC 4 µF, ePTC consumption incl., fan cooling F₂

Evap. temp. in °C	-45	-40	-35	-30	-25	-23.3	-20	-15	-10	-6.7	-5	0	5	7.2	10	15	20
Capacity in W					527	567	653	801	975	1104	1175	1404	1664	1788	1955		
Power cons. in W					352	365	390	427	465	489	502	537	572	586	604		
Current cons. in A					2.10	2.14	2.22	2.36	2.49	2.58	2.62	2.76	2.89	2.94	3.01		
COP in W/W					1.50	1.55	1.67	1.88	2.10	2.26	2.34	2.61	2.91	3.05	3.24		

ASHRAE LBP

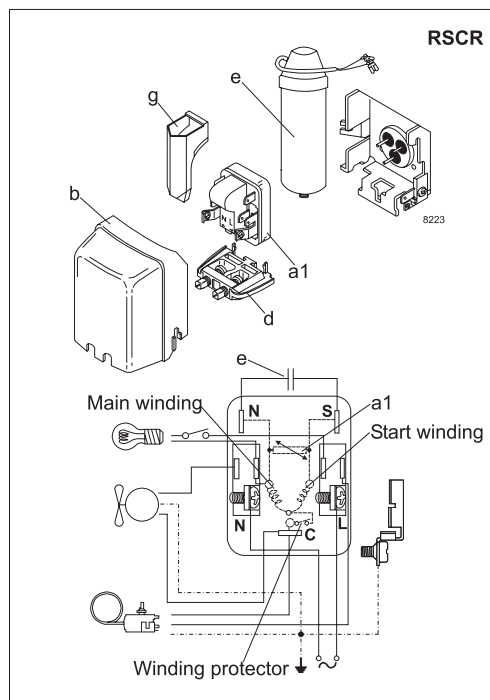
 220V, 50Hz, RC 4 µF, ePTC consumption incl., fan cooling F₂

Evap. temp. in °C	-45	-40	-35	-30	-25	-23.3	-20	-15	-10	-6.7	-5	0	5	7.2	10	15	20
Capacity in W					561	605	699	862	1052	1194	1272	1524	1811	1949	2135		
Power cons. in W					356	369	396	439	483	512	528	574	620	640	665		
Current cons. in A					2.16	2.21	2.31	2.48	2.66	2.78	2.85	3.04	3.25	3.34	3.45		
COP in W/W					1.58	1.64	1.76	1.96	2.18	2.33	2.41	2.66	2.92	3.04	3.21		

ASHRAE MBP/HBP

 220V, 50Hz, RC 4 µF, ePTC consumption incl., fan cooling F₂

Evap. temp. in °C	-45	-40	-35	-30	-25	-23.3	-20	-15	-10	-6.7	-5	0	5	7.2	10	15	20
Capacity in W					501	541	624	769	938	1064	1134	1357	1610	1732	1896		
Power cons. in W					352	366	392	434	477	507	522	567	612	632	657		
Current cons. in A					2.16	2.21	2.31	2.48	2.66	2.78	2.85	3.04	3.25	3.34	3.45		
COP in W/W					1.42	1.48	1.59	1.77	1.97	2.10	2.17	2.39	2.63	2.74	2.89		



Accessories for	NLE12.6MN	Figure	Code number
ePTC starting device	6.3 mm spade connectors	a1	-
	4.8 mm spade connectors		103N0050
Run capacitor 4 µF (optional)	4.8 mm spade connectors	e	117-7119
Cover		b	103N2010
Cord relief		d	103N1010
Protection screen for PTC		g	-

Test conditions	EN 12900		ASHRAE	
	LBP	MBP	LBP	MBP
Condensing temperature	40°C	45°C	54.4°C	54.4°C
Ambient temperature	32°C	32°C	32.2°C	35°C
Suction gas temperature	20°C	20°C	32.2°C	35°C
Liquid temperature	no subcooling		32.2°C	46.1°C

Mounting accessories	Code number	
Bolt joint for one comp.	Ø: 16 mm	118-1917
Bolt joint in quantities	Ø: 16 mm	118-1918
Snap-on in quantities	Ø: 16 mm	118-1919

Secop (Nidec Global Appliance) accepts no responsibility for possible errors in catalogs, brochures, and other printed material. Secop (Nidec Global Appliance) reserves the right to alter its products without notice. This also applies to products already on order provided that such alterations can be made without consequential changes being necessary to specifications already agreed. All trademarks in this material are the property of the respective companies. Secop and the Secop logotype are trademarks of Secop GmbH (Nidec Global Appliance Germany GmbH). All rights reserved.