

## Model

Designation	<b>NLE13KTK.2</b>	220-240V/50Hz 1~	Sales code:	<b>105H6929</b>
-------------	-------------------	------------------	-------------	-----------------

## Compressor design

Oil type	Mineral	Refrigerant(s)	<b>R600a</b>
Oil viscosity	15cST	Displacement	13,25cm <sup>3</sup> / 0,81cu.in
Oil quantity	300cm <sup>3</sup> / 10,1fl.oz	Compressors on pallet	80
Refr. charge - tech. limit	150g / 5,3oz		
Free gas volume comp.	2310cm <sup>3</sup> / 78,1fl.oz		
Weight	10,8kg / 23,8lbs		
Motor protection	1# internal		
Winding resistance main	12Ω (at 25°C)		
Winding resistance aux	10Ω (at 25°C)		
Max. winding temp.	125°C / 257°F		
Max. discharge temp.	125°C / 257°F		



## General - Configurations with NLE13KTK.2

	<b>Conf. 1</b>
Motorconfiguration	RSIR
Power supply (nominal)	220-240V/50Hz
Number of phases	1
Voltage range	187-254V
Approvals	-
Starting torque	LST
Note	- / -

## Applications with NLE13KTK.2

	<b>Conf. 1</b>
Refrigerant	R600a
Application	LBP
System cooling	static
Hot gas defrost	- / -
Long interval pull down	- / -

## Electrical data - Configurations with NLE13KTK.2

	<b>Conf. 1</b>
Starting device type	PTC
Run capacitor	- / -
Start capacitor	- / -
LRA (locked rotor amps / 4s)	
RLA (rated load amps / 1s)	1,4A
Cut in current	

## Model

Designation

**NLE13KTK.2**

220-240V/50Hz 1~

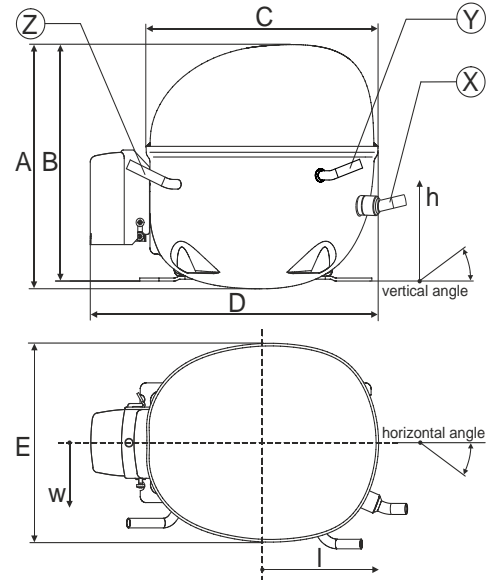
Sales code:

**105H6929**

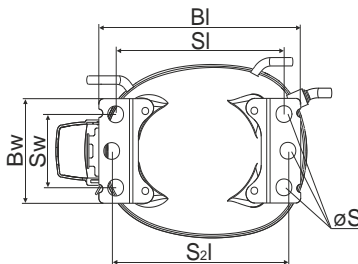
## Compressor dimensions

Housing	A Height	203mm / 7,99in
	B Height	197mm / 7,76in
	C Length shell	205mm / 8,07in
	D Length w. cover	254mm / 10in
	E Width	166mm / 6,54in

Connectors		Suction	Discharge	Process
		X	Y	Z
Diameter	[mm]	øi 6,11-6,29	øi 5,12-5,22	øi 6,11-6,29
(i:inside, o:outside)	[in]	øi 0,24-0,25	øi 0,2-0,21	øi 0,24-0,25
Material		copper	copper	copper
Horizontal angle	±2°	0°	0°	0°
Vertical angle	±2°	15°	35°	155°
Position l/h/w	[mm]	126/76/78	133/103/54	-107/94/72
	[in]	4,9/3/3,1	5,2/4/2,1	-4,2/3,7/2,8
Straight tube l.	[mm]	12	12	12
	[in]	0,5	0,5	0,5



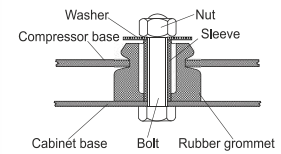
## Compressor fixation



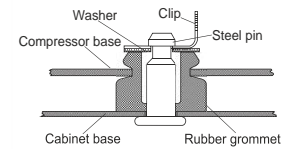
Baseplate	[mm]	[inch]
BI	204	8.03
Bw	100	3.94

Small holes	[mm]	[inch]
SI	170	6.7
Sw	70	2.76
S2l	178	7
øS	ø 16	ø 0.63

## Bolt joint



## Snap-on



Mounting accessories	one comp.	multi pack
Bolt joint   M6   ø16mm	118-1917	118-1918
Bolt joint   ø1/4"   ø16mm	118-1946	
Bolt joint   ø1/4"   ø19mm	118-1949	
Snap-on   ø7,3   ø16mm	118-1947	118-1919

## Model

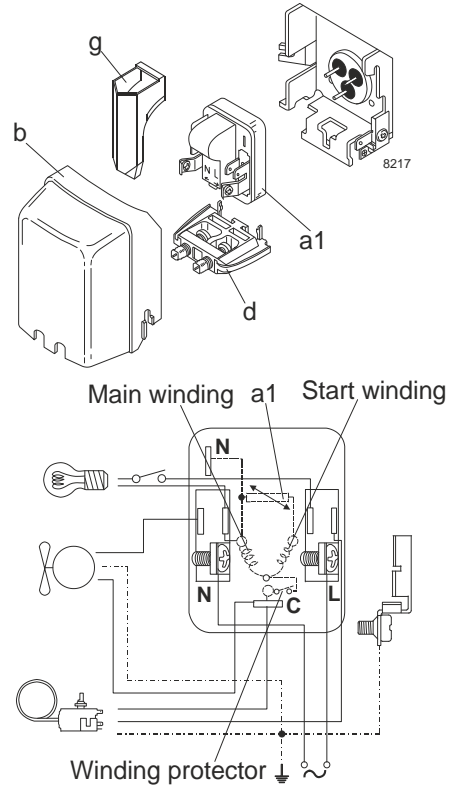
Designation	<b>NLE13KTK.2 220-240V/50Hz</b>	Conf. 1	Sales code:	<b>105H6929</b>
-------------	---------------------------------	---------	-------------	-----------------

## Configuration

Motorconfiguration	RSIR
Power supply (nominal)	220-240V/50Hz 1~
Refrigerant	R600a
Application	LBP
Voltage range	187-254V
Starting torque	LST
Approvals	-

## Electrical accessories / wiring diagram

RSIR

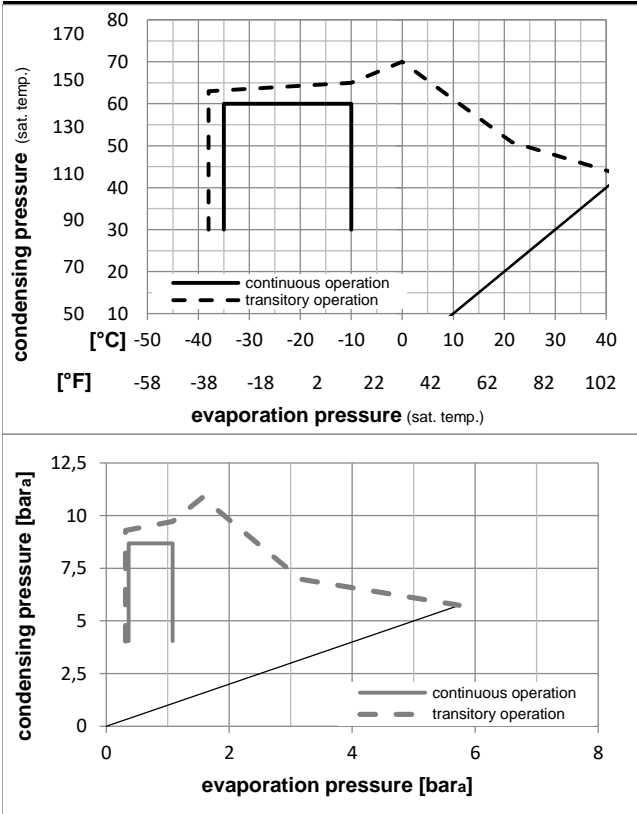


## Ambient temperatures / system cooling

Ambient temperature min.:	10°C / 50°F
Ambient temperature max.:	43°C / 110°F

System cooling (n/a: outside limits)			
T ambient	LBP	MBP	HBP
32°C / 90°F	static	n/a	n/a
38°C / 100°F	static	n/a	n/a
43°C / 110°F	static	n/a	n/a

## Operation pressure range



## Components

a1	PTC starter (220V, 250hm, 4.8mm)	103N0018
b	plastic cover	103N2010
d	cord relief	103N1010
g	protection screen for PTC	103N0476

## Alternative components

a1	PTC starter (220V, 250hm, 6.3mm)	103N0011
b	plastic cover	103N2011
d	cord relief	103N1010
g	protection screen for PTC	103N0476

## Model

Designation **NLE13KTK.2 220-240V/50Hz** Conf. 1 Sales code: **105H6929**

## Optimization + standard conditions

R600a, 220V/50Hz, RSIR, static, -

Evaporating pressure (saturation temperature)		Condensing pressure (saturation temperature)				Return gas temp.		Liquid temp.		Cooling capacity			COP	EER	P1	Current consumption		Ref. mass flow	
pe	pc	RGT	Tliq		[W]	[Btu/h]	[kcal/h]	[W/W]	[Btu/Wh]	[kcal/Wh]	[W]	[A]	[kg/h]						
[°C]	[°C]	[°C]	[°C]	[°C]															
-23,3	54,4	32,2	32,2		226,5	773	194,9	1,52	5,18	1,31	149,3	1,09	2,43						ASHRAE LBP
-10	130	90	90																
[°C]	-25	55	32	55	170,5	582	146,8	1,18	4,05	1,02	143,9	1,08	2,22						cecomaf LBP
[°F]	-13	131	89,6	131															
[°C]	-35	40	20	40	117,7	402	101,3	1,10	3,75	0,94	107,3	0,98	1,43						EN12900 LBP
[°F]	-31	104	68	104															
[°C]	-23,3	48,9	4,44	48,9	183,1	625	157,5	1,26	4,31	1,09	145,0	1,07	2,67						ARI540 LBP
[°F]	-10	120	40	120															
[°C]	-23,3	40,6	32,2	32,2	238,6	815	205,4	1,76	6,02	1,52	135,4	1,04	2,56						AHAM LBP
[°F]	-10	105	90	90															
[°C]	-35	45	32	45	113,5	388	97,7	1,04	3,54	0,89	109,6	0,99	1,35						opt
[°F]	-31	113	89,6	113															

## Performance tables

R600a, 220V/50Hz, RSIR, static, -

	pe		Cooling capacity			COP		EER		P1	I	m
	[°C]	[°F]	[W]	[Btu/h]	[kcal/h]	[W/W]	[Btu/Wh]	[kcal/Wh]	[W]	[A]	[kg/h]	
[°C / °F]	-35	-31	113,5	388	97,7	1,04	3,54	0,89	109,6	0,99	1,35	
cond. pressure	-30	-22	150,5	514	129,5	1,22	4,18	1,05	123,0	1,01	1,79	
pc= 45/113	-25	-13	195,2	667	168,0	1,43	4,89	1,23	136,3	1,04	2,32	
return gas temp.	-23,3	-10	212,4	725	182,8	1,51	5,15	1,30	141,0	1,05	2,53	
RGT= 32/90	-20	-4	248,7	850	214,1	1,65	5,65	1,42	150,4	1,08	2,97	
liquid temp	-15	5	312,2	1066	268,7	1,88	6,41	1,62	166,2	1,14	3,73	
Tliq= 45/113	-10	14	386,6	1320	332,8	2,09	7,15	1,80	184,6	1,20	4,63	
[°C / °F]	-35	-31	95,9	327	82,5	0,88	3,02	0,76	108,5	1,01	1,25	
cond. pressure	-30	-22	129,8	443	111,7	1,03	3,50	0,88	126,6	1,04	1,69	
pc= 55/131	-25	-13	170,5	582	146,8	1,18	4,05	1,02	143,9	1,08	2,22	
return gas temp	-23,3	-10	186,2	636	160,2	1,24	4,24	1,07	149,8	1,09	2,43	
RGT= 32/90	-20	-4	219,3	749	188,7	1,36	4,64	1,17	161,3	1,13	2,87	
liquid temp	-15	5	277,1	946	238,5	1,54	5,26	1,33	179,8	1,19	3,63	
Tliq= 55/131	-10	14	345,2	1179	297,1	1,73	5,89	1,49	200,0	1,27	4,53	