

## NLE13KTK Energy-optimized Tropical Compressor R600a 115-127V 60Hz

### General

Code number	105H5949
Approvals	-
Compressors on pallet	80

### Application

Application	LBP/MBP			
	Hz	50	60	
Evaporating temperature	°F	-	LBP: -30 to 10 MBP: 0 to 40	
Voltage range	V	-	93 - 135	
Max. condensing temperature continuous (short)	°F	-	140 (158)	
Max. winding temperature continuous (short)	°F	-	257 (275)	

### Cooling requirements

Frequency	Hz	50			60		
		LBP	MBP	HBP	LBP	MBP	HBP
90°F		-	-	-	F <sub>1</sub>	F <sub>1</sub>	-
100°F		-	-	-	F <sub>1</sub>	F <sub>1</sub>	-
110°F		-	-	-	F <sub>1</sub>	F <sub>1</sub>	-

Remarks on application: voltage range MBP 103 - 135 V

Fan and other accessories near the compressor have to be of "n" type protection according to IEC 79-15. MBP & commercial application only with timer function for ensuring pressure equalization, e.g. Danfoss Electronic Thermostate type ETC1.

### Motor

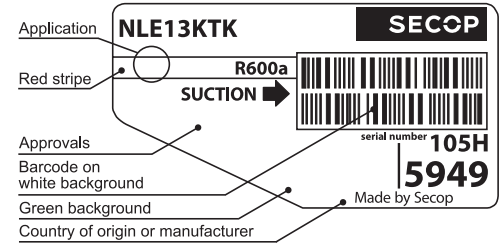
Motor type	RSIR/RSCR		
LRA (rated after 4 sec. UL984), HST   LST	A	-	28.0
Cut in Current, HST   LST	A	-	18.8
Resistance, main   start winding (77°F)	Ω	1.9	3.9

### Design

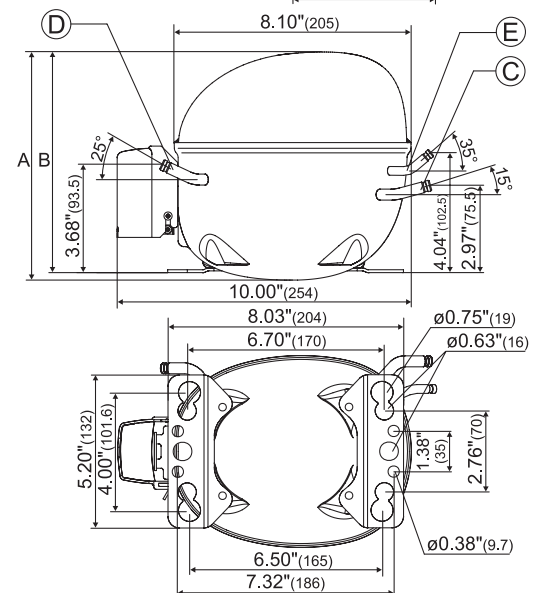
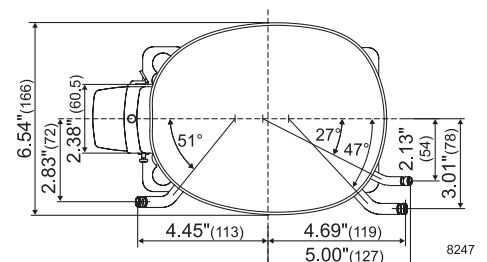
Displacement	cu.in	0.81
Oil quantity (type)	fl.oz.	10.8 (polyolester)
Maximum refrigerant charge	oz.	5.3
Free gas volume in compressor	fl.oz.	79.7
Weight without electrical equipment	lbs.	22.0

### Dimensions

Height	inch	A	7.76
		B	7.52
		B1	-
		B2	-
Suction connector	location, I.D. in.   angle	C	0.252-0.259   15°
	material   comment		Cu-plated steel   Al cap
Process connector	location, I.D. in.   angle	D	0.252-0.259   25°
	material   comment		Cu-plated steel   Al cap
Discharge connector	location, I.D. in.   angle	E	0.202-0.205   35°
	material   comment		Cu-plated steel   Al cap
Oil cooler connector	location, I.D. in.   angle	F	-
	material   comment		-
Remarks:			



- S = Static cooling normally sufficient
- O = Oil cooling
- F<sub>1</sub> = Fan cooling 1.5 m/s (compressor compartment temperature equal to ambient temperature)
- F<sub>2</sub> = Fan cooling 3.0 m/s necessary
- SG = Suction gas cooling normally sufficient
- = not applicable in this area



**ASHRAE LBP**

Static cooling 115V 60Hz, PTC consumption incl.

Evap. temp. in °F	-49	-40	-30	-20	-13	-10	0	10	20	30	40	41	45	50	59	68
Capacity in BTU/h			424	573	710	760	1033	1346	1816	2210	2600					
Power cons. in W			133	162	181	185	215	240	291	324	353					
Current cons. in A			2.40	2.55	2.65	2.69	2.83	2.99	3.31	3.63	3.82					
EER in BTU/Wh			3.19	3.54	3.92	4.11	4.80	5.61	6.24	6.82	7.37					

**ASHRAE MBP**

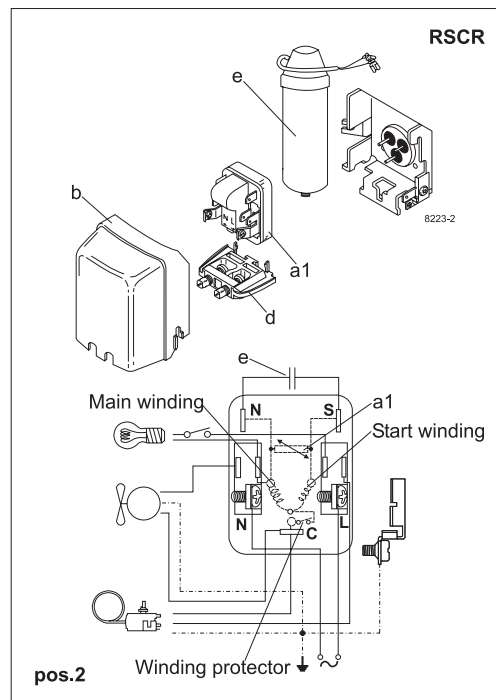
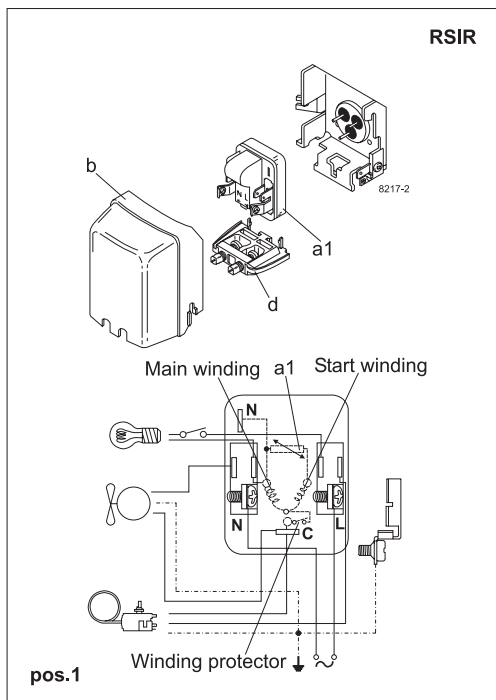
Static cooling 115V 60Hz, PTC consumption incl.

Evap. temp. in °F	-49	-40	-30	-20	-13	-10	0	10	20	30	40	41	45	50	59	68
Capacity in BTU/h			385	520	644	690	937	1221	1647	2004	2357					
Power cons. in W			133	162	181	185	215	240	291	324	353					
Current cons. in A			2.40	2.55	2.65	2.69	2.83	2.99	3.31	3.63	3.82					
EER in BTU/Wh			2.89	3.21	3.56	3.73	4.36	5.09	5.66	6.19	6.68					

**EN 12900 Household (CECOMAF)**

Static cooling 115V 60Hz, PTC consumption incl.

Evap. temp. in °F	-49	-40	-30	-20	-13	-10	0	10	20	30	40	41	45	50	59	68
Capacity in W			102	138	171	183	249	324	437	532	625					
Power cons. in W			133	162	181	185	215	240	291	324	353					
Current cons. in A			2.40	2.55	2.65	2.69	2.83	2.99	3.31	3.63	3.82					
COP in W/W			0.77	0.85	0.95	0.99	1.16	1.35	1.50	1.64	1.77					



Accessories for	NLE13KTK	Figure	Code number
PTC starting device	1/4 in. spade connect.	a1	103N0026
	3/16 in. spade connect.	(pos.1)	103N0023
PTC starting device	1/4 in. spade connect.	a1	103N0027
	3/16 in. spade connect.	(pos.2)	103N0024
Cover		b	103N2010
Cord relief		d	103N1010
Run capacitor	1/4 in. spade connect.	e	117-7118
15 µF (optional)	3/16 in. spade connect.		117-7120

Test conditions	ASHRAE LBP	ASHRAE MBP	EN 12900/CECOMAF
Condensing temp.	130°F	130°F	131°F
Ambient temp.	90°F	95°F	90°F
Suction gas temp	90°F	95°F	90°F
Liquid temperature	90°F	115°F	131°F

Mounting accessories	Code number	
Bolt joint for one comp.	Ø: 5/8 in.	118-1917
Bolt joint in quantities	Ø: 5/8 in.	118-1918
Snap-on in quantities	Ø: 5/8 in.	118-1919

Nidec GA Compressors accepts no responsibility for possible errors in catalogs, brochures, and other printed material. Nidec GA Compressors reserves the right to alter its products without notice. This also applies to products already on order provided that such alterations can be made without consequential changes being necessary to specifications already agreed. All trademarks in this material are the property of the respective companies. Secop and the Secop logotype are trademarks of Nidec Global Appliance Germany GmbH. All rights reserved. [www.secop.com](http://www.secop.com)