

Model

| | | | | |
|-------------|------------------|-------------------------|-------------|-----------------|
| Designation | NLE8.8CNT | 208-230V/60Hz 1~ | Sales code: | 105H6088 |
|-------------|------------------|-------------------------|-------------|-----------------|

Compressor design

| | | | |
|----------------------------|---------------------------------|-----------------------|---------------------------------|
| Oil type | Polyolester | Refrigerant(s) | R290 |
| Oil viscosity | 32cSt | Displacement | 8,76cm ³ / 0,53cu.in |
| Oil quantity | 300cm ³ / 10,1fl.oz | Compressors on pallet | 80 |
| Refr. charge - tech. limit | 150g / 5,3oz | | |
| Free gas volume comp. | 2360cm ³ / 79,8fl.oz | | |
| Weight | 11,1kg / 24,5lbs | | |
| Motor protection | 1# internal | | |
| Winding resistance main | 6,53Ω (at 25°C) | | |
| Winding resistance aux | 7,45Ω (at 25°C) | | |
| Max. winding temp. | 125°C / 257°F | | |
| Max. discharge temp. | 120°C / 248°F | | |



General - Configurations with NLE8.8CNT

| | Conf. 1 | Conf. 2 | Conf. 3 |
|------------------------|----------------|----------------|----------------|
| Motorconfiguration | CSIR | RSIR | RSCR |
| Power supply (nominal) | 208-230V/60Hz | 208-230V/60Hz | 208-230V/60Hz |
| Number of phases | 1 | 1 | 1 |
| Voltage range | 187-253V | 187-253V | 187-253V |
| Approvals | UL, CB | UL, CB | UL, CB |
| Starting torque | HST | LST | LST |
| Note | - / - | | |

Applications with NLE8.8CNT

| | Conf. 1 | Conf. 2 | Conf. 3 |
|-------------------------|----------------|----------------|----------------|
| Refrigerant | R290 | R290 | R290 |
| Application | LBP+MBP | LBP+MBP | LBP+MBP |
| System cooling | fan 3m/s | fan 3m/s | fan 3m/s |
| Hot gas defrost | OK | OK | OK |
| Long interval pull down | OK | OK | OK |

Electrical data - Configurations with NLE8.8CNT

| | Conf. 1 | Conf. 2 | Conf. 3 |
|------------------------------|----------------|----------------|----------------|
| Starting device type | relay | PTC | PTC |
| Run capacitor | 0μF | 0μF | 4μF |
| Start capacitor | 100μF | 0μF | 0μF |
| LRA (locked rotor amps / 4s) | 15,5A | 14,1A | 14,1A |
| RLA (rated load amps / 1s) | 3A | 3A | 2,7A |
| Cut in current | 15,5A | 19,8A | 19,8A |
| IP class | 21 | 21 | 21 |

Model

Designation

NLE8.8CNT 208-230V/60Hz 1~

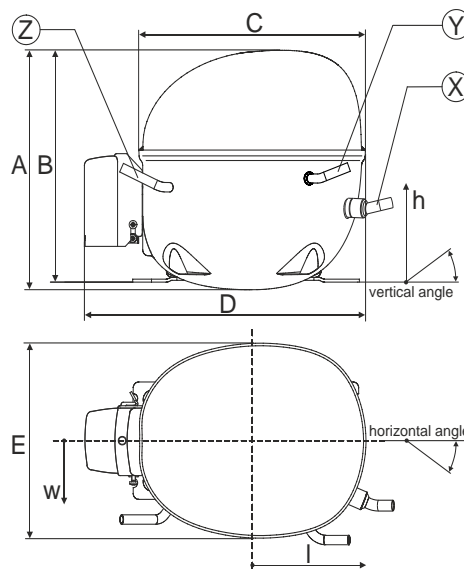
Sales code:

105H6088

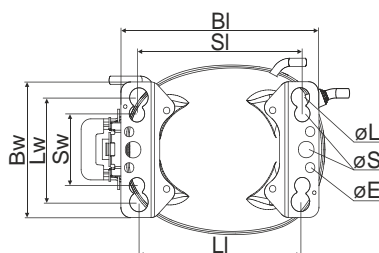
Compressor dimensions

| Housing | A Height | 203mm / 7,99in |
|---------|-------------------|----------------|
| | B Height | 197mm / 7,76in |
| | C Length shell | 205mm / 8,07in |
| | D Length w. cover | 254mm / 10in |
| | E Width | 166mm / 6,54in |

| Connectors | | Suction | Discharge | Process |
|------------------|----------------------------|--------------|--------------|--------------|
| | | X | Y | Z |
| Diameter | [mm] | øi 8,11-8,29 | øi 6,41-6,59 | øi 6,41-6,59 |
| | (i:inside, o:outside) [in] | øi 0,32-0,33 | øi 0,25-0,26 | øi 0,25-0,26 |
| Material | | copper | copper | copper |
| Horizontal angle | ±2° | 0° | 0° | 0 |
| Vertical angle | ±2° | 15° | 21° | 155° |
| Position l/h/w | [mm] | 132/69/56 | 94/99/86 | -111/92/72 |
| | [in] | 5,2/2,7/2,2 | 3,7/3,9/3,4 | -4,4/3,6/2,8 |
| Straight tube l. | [mm] | 12 | 12 | 12 |
| | [in] | 0,5 | 0,5 | 0,5 |

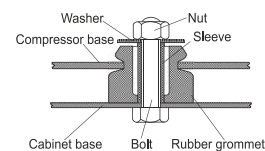


Compressor fixation

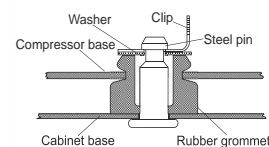


| Baseplate | [mm] | [inch] |
|-------------|-------|--------|
| BI | 204 | 8.03 |
| Bw | 132 | 5.2 |
| øE | ø 9.7 | ø 0.38 |
| Large holes | [mm] | [inch] |
| LI | 165 | 6.5 |
| Lw | 101.6 | 4 |
| øL | ø 19 | ø 0.75 |
| Small holes | [mm] | [inch] |
| SI | 170 | 6.7 |
| Sw | 70 | 2.76 |
| øS | ø 16 | ø 0.63 |

Bolt joint



Snap-on



Mounting accessories

| | one comp. | multi pack |
|----------------------------|-----------|------------|
| Bolt joint M6 ø16mm | 118-1917 | 118-1918 |
| Bolt joint ø1/4" ø16mm | 118-1946 | |
| Bolt joint ø1/4" ø19mm | 118-1949 | |
| Snap-on ø7,3 ø16mm | 118-1947 | 118-1919 |

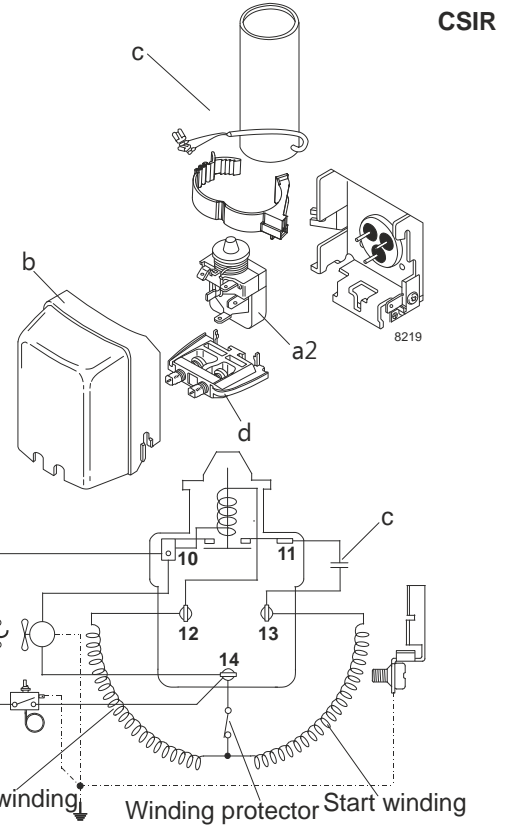
Model

| | | | | | |
|-------------|------------------|----------------------|----------------|-------------|-----------------|
| Designation | NLE8.8CNT | 208-230V/60Hz | Conf. 1 | Sales code: | 105H6088 |
|-------------|------------------|----------------------|----------------|-------------|-----------------|

Configuration

| | | |
|------------------------|------------------|--------|
| Motorconfiguration | CSIR | |
| Power supply (nominal) | 208-230V/60Hz 1~ | |
| Refrigerant | R290 | |
| Application | LBP+MBP | |
| Voltage range | 187-253V | |
| Starting torque | HST | |
| Approvals | UL | SA3693 |
| | CB | |

Electrical accessories / wiring diagram

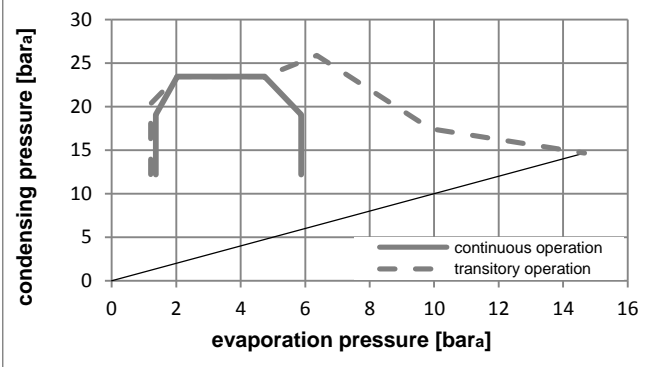
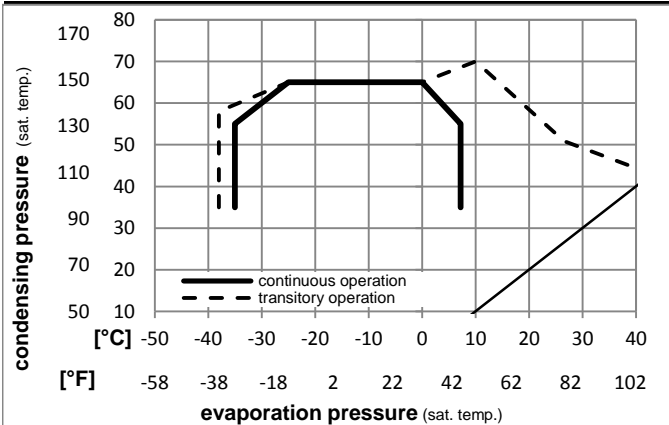


Ambient temperatures / system cooling

| | |
|---------------------------|--------------|
| Ambient temperature min.: | 10°C / 50°F |
| Ambient temperature max.: | 43°C / 110°F |

| System cooling | | | |
|----------------|----------|----------|-----|
| T ambient | LBP | MBP | HBP |
| 32°C / 90°F | fan 3m/s | fan 3m/s | n/a |
| 38°C / 100°F | fan 3m/s | fan 3m/s | n/a |
| 43°C / 110°F | fan 3m/s | fan 3m/s | n/a |

Operation pressure range



Components:

| | | |
|----|---------------------------------|----------|
| a2 | relay | 117U7022 |
| c | start capacitor (100µF, 82kOhm) | 117U5381 |
| b | plastic cover | 103N2011 |
| d | cord relief | 103N1010 |

Model

Designation **NLE8.8CNT 208-230V/60Hz** Conf. 1 Sales code: **105H6088**

Optimization + standard conditions

208-230V/60Hz 1~, CSIR, fan 3m/s, UL, CB

| | Evaporating pressure (saturation temperature) | | | | Condensing pressure (saturation temperature) | | | | | | Power consumption | | | ASHRAE LBP |
|--|---|------|------|------|--|---------|----------|-------|----------|-----------|-------------------|----------------|--------|-------------|
| | pe | pc | RGT | Tliq | Cooling capacity | | | COP | EER | P1 | I | Ref. mass flow | | |
| | [°C] | [°C] | [°C] | [°C] | [W] | [Btu/h] | [kcal/h] | [W/W] | [Btu/Wh] | [kcal/Wh] | [W] | [A] | [kg/h] | |
| | -23,3 | 54,4 | 32,2 | 32,2 | 510,3 | 1743 | 439,1 | 1,56 | 5,32 | 1,34 | 327,7 | 2,12 | 5,17 | |
| | [°F] | | | | | | | | | | | | | ASHRAE LBP |
| | -10 | 130 | 90 | 90 | | | | | | | | | | |
| | -25 | 55 | 32 | 55 | 380,9 | 1301 | 327,8 | 1,20 | 4,11 | 1,04 | 316,3 | 2,08 | 4,74 | cecomaf LBP |
| | [°F] | | | | | | | | | | | | | |
| | -13 | 131 | 89,6 | 131 | | | | | | | | | | |
| | -35 | 40 | 20 | 40 | 299,5 | 1023 | 257,7 | 1,22 | 4,18 | 1,05 | 244,6 | 1,91 | 3,42 | EN12900 LBP |
| | [°F] | | | | | | | | | | | | | |
| | -31 | 104 | 68 | 104 | | | | | | | | | | |
| | -6,66 | 54,4 | 35 | 46,1 | 914,9 | 3125 | 787,4 | 2,05 | 6,99 | 1,76 | 447,0 | 2,52 | 10,44 | ASHRAE MBP |
| | [°F] | | | | | | | | | | | | | |
| | 20 | 130 | 95 | 115 | | | | | | | | | | |
| | -10 | 55 | 32 | 55 | 727,7 | 2485 | 626,3 | 1,71 | 5,84 | 1,47 | 425,8 | 2,44 | 9,21 | cecomaf MBP |
| | [°F] | | | | | | | | | | | | | |
| | 14 | 131 | 89,6 | 131 | | | | | | | | | | |
| | -10 | 45 | 20 | 45 | 806,8 | 2755 | 694,3 | 2,05 | 7,01 | 1,77 | 393,1 | 2,33 | 9,91 | EN12900 MBP |
| | [°F] | | | | | | | | | | | | | |
| | 14 | 113 | 68 | 113 | | | | | | | | | | |

Performance tables

208-230V/60Hz 1~, CSIR, fan 3m/s, UL, CB

| | pe | Cooling capacity | | | COP | EER | P1 | I | m | | |
|------------------|-------|------------------|--------|---------|----------|-------|----------|-----------|-------|------|--------|
| | [°C] | [°F] | [W] | [Btu/h] | [kcal/h] | [W/W] | [Btu/Wh] | [kcal/Wh] | [W] | [A] | [kg/h] |
| [°C / °F] | -35 | -31 | 285,2 | 974 | 245,4 | 1,15 | 3,94 | 0,99 | 247,4 | 1,91 | 3,20 |
| cond. pressure | -23,3 | -10 | 485,7 | 1659 | 418,0 | 1,55 | 5,28 | 1,33 | 314,3 | 2,08 | 5,48 |
| pc= 45/113 | -15 | 5 | 690,2 | 2357 | 594,0 | 1,89 | 6,47 | 1,63 | 364,5 | 2,24 | 7,85 |
| return gas temp. | -9,4 | 15 | 857,8 | 2930 | 738,3 | 2,17 | 7,40 | 1,86 | 396,1 | 2,34 | 9,82 |
| RGT= 32/90 | -3,9 | 25 | 1052,5 | 3594 | 905,7 | 2,48 | 8,47 | 2,13 | 424,4 | 2,44 | 12,14 |
| liquid temp | 0 | 32 | 1205,5 | 4117 | 1037,5 | 2,73 | 9,33 | 2,35 | 441,4 | 2,50 | 13,98 |
| Tliq= 45/113 | 7,2 | 45 | 1528,8 | 5221 | 1315,7 | 3,29 | 11,23 | 2,83 | 464,8 | 2,59 | 17,96 |
| [°C / °F] | -35 | -31 | 221,6 | 757 | 190,7 | 0,89 | 3,04 | 0,77 | 248,9 | 1,91 | 2,74 |
| cond. pressure | -23,3 | -10 | 412,7 | 1409 | 355,2 | 1,26 | 4,29 | 1,08 | 328,4 | 2,12 | 5,15 |
| pc= 55/131 | -15 | 5 | 596,2 | 2036 | 513,1 | 1,53 | 5,22 | 1,32 | 389,7 | 2,32 | 7,50 |
| return gas temp | -9,4 | 15 | 743,4 | 2539 | 639,8 | 1,73 | 5,91 | 1,49 | 429,8 | 2,46 | 9,41 |
| RGT= 32/90 | -3,9 | 25 | 912,2 | 3115 | 785,1 | 1,95 | 6,67 | 1,68 | 467,3 | 2,59 | 11,64 |
| liquid temp | 0 | 32 | 1044,2 | 3566 | 898,6 | 2,13 | 7,26 | 1,83 | 491,3 | 2,68 | 13,41 |
| Tliq= 55/131 | 7,2 | 45 | 1321,3 | 4512 | 1137,1 | 2,50 | 8,53 | 2,15 | 528,9 | 2,83 | 17,21 |

Model

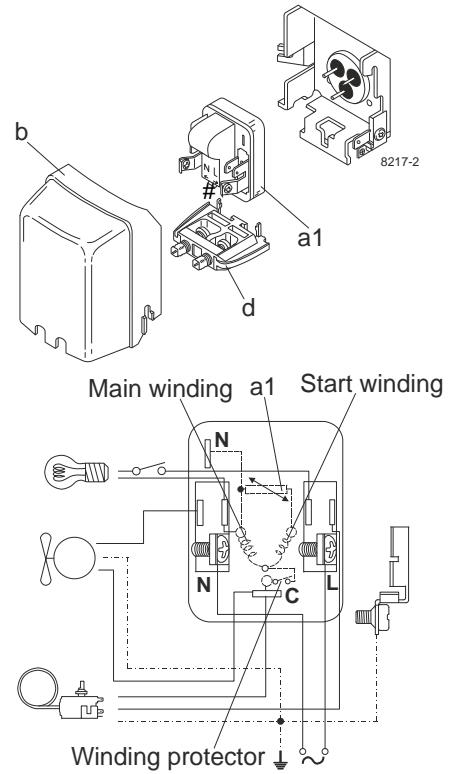
| | | | | | |
|-------------|------------------|----------------------|----------------|-------------|-----------------|
| Designation | NLE8.8CNT | 208-230V/60Hz | Conf. 2 | Sales code: | 105H6088 |
|-------------|------------------|----------------------|----------------|-------------|-----------------|

Configuration

| | |
|------------------------|------------------|
| Motorconfiguration | RSIR |
| Power supply (nominal) | 208-230V/60Hz 1~ |
| Refrigerant | R290 |
| Application | LBP+MBP |
| Voltage range | 187-253V |
| Starting torque | LST |
| Approvals | UL SA3693 |
| | CB |

Electrical accessories / wiring diagram

RSIR

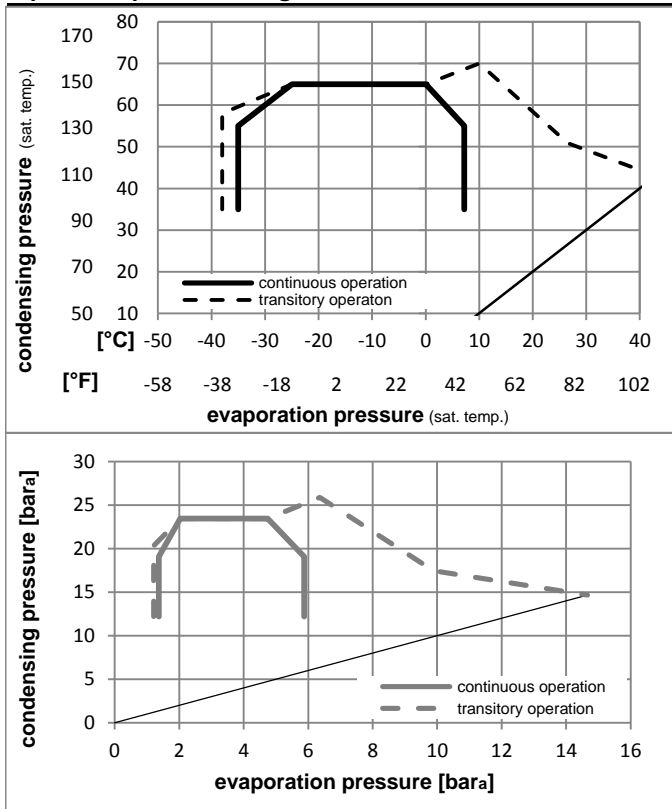


Ambient temperatures / system cooling

| | |
|---------------------------|--------------|
| Ambient temperature min.: | 10°C / 50°F |
| Ambient temperature max.: | 43°C / 110°F |

| System cooling | | | |
|----------------|----------|----------|-----|
| T ambient | LBP | MBP | HBP |
| 32°C / 90°F | fan 3m/s | fan 3m/s | n/a |
| 38°C / 100°F | fan 3m/s | fan 3m/s | n/a |
| 43°C / 110°F | fan 3m/s | fan 3m/s | n/a |

Operation pressure range



Components:

| | | |
|----|------------------------------------|----------|
| a1 | e-PTC starter (220V, 250hm, 4.8mm) | 103N0050 |
| b | plastic cover | 103N2011 |
| d | cord relief | 103N1010 |

Model

Designation **NLE8.8CNT 208-230V/60Hz** Conf. **2** Sales code: **105H6088**

Optimization + standard conditions

208-230V/60Hz 1~, RSIR, fan 3m/s, UL, CB

| | Evaporating pressure (saturation temperature) | | | | Condensing pressure (saturation temperature) | | | | | | Power consumption | | | ASHRAE LBP | | | | |
|--|---|------|------|------|--|---------|----------|-------|----------|-----------|-------------------|----------------|--------|------------|-------|------|-------|-------------|
| | pe | pc | RGT | Tliq | Cooling capacity | | | COP | EER | P1 | I | Ref. mass flow | | | | | | |
| | [°C] | [°F] | [°C] | [°F] | [W] | [Btu/h] | [kcal/h] | [W/W] | [Btu/Wh] | [kcal/Wh] | [W] | [A] | [kg/h] | | | | | |
| | -23,3 | -10 | 54,4 | 130 | 32,2 | 90 | 32,2 | 90 | 510,3 | 1743 | 439,1 | 1,56 | 5,32 | 1,34 | 327,7 | 2,12 | 5,17 | |
| | -25 | -13 | 55 | 131 | 32 | 89,6 | 55 | 131 | 380,9 | 1301 | 327,8 | 1,20 | 4,11 | 1,04 | 316,3 | 2,08 | 4,74 | cecomaf LBP |
| | -35 | -31 | 40 | 104 | 20 | 68 | 40 | 104 | 299,5 | 1023 | 257,7 | 1,22 | 4,18 | 1,05 | 244,6 | 1,91 | 3,42 | EN12900 LBP |
| | -6,66 | 20 | 54,4 | 130 | 35 | 95 | 46,1 | 115 | 914,9 | 3125 | 787,4 | 2,05 | 6,99 | 1,76 | 447,0 | 2,52 | 10,44 | ASHRAE MBP |
| | -10 | 14 | 55 | 131 | 32 | 89,6 | 55 | 131 | 727,7 | 2485 | 626,3 | 1,71 | 5,84 | 1,47 | 425,8 | 2,44 | 9,21 | cecomaf MBP |
| | -10 | 14 | 45 | 113 | 20 | 68 | 45 | 113 | 806,8 | 2755 | 694,3 | 2,05 | 7,01 | 1,77 | 393,1 | 2,33 | 9,91 | EN12900 MBP |

Performance tables

208-230V/60Hz 1~, RSIR, fan 3m/s, UL, CB

| | pe | Cooling capacity | | | COP | | | EER | | | P1 | I | m |
|------------------|-------|------------------|--------|---------|----------|-------|----------|-----------|-------|------|--------|---|---|
| | [°C] | [°F] | [W] | [Btu/h] | [kcal/h] | [W/W] | [Btu/Wh] | [kcal/Wh] | [W] | [A] | [kg/h] | | |
| [°C / °F] | -35 | -31 | 285,2 | 974 | 245,4 | 1,15 | 3,94 | 0,99 | 247,4 | 1,91 | 3,20 | | |
| cond. pressure | -23,3 | -10 | 485,7 | 1659 | 418,0 | 1,55 | 5,28 | 1,33 | 314,3 | 2,08 | 5,48 | | |
| pc= 45/113 | -15 | 5 | 690,2 | 2357 | 594,0 | 1,89 | 6,47 | 1,63 | 364,5 | 2,24 | 7,85 | | |
| return gas temp. | -9,4 | 15 | 857,8 | 2930 | 738,3 | 2,17 | 7,40 | 1,86 | 396,1 | 2,34 | 9,82 | | |
| RGT= 32/90 | -3,9 | 25 | 1052,5 | 3594 | 905,7 | 2,48 | 8,47 | 2,13 | 424,4 | 2,44 | 12,14 | | |
| liquid temp | 0 | 32 | 1205,5 | 4117 | 1037,5 | 2,73 | 9,33 | 2,35 | 441,4 | 2,50 | 13,98 | | |
| Tliq= 45/113 | 7,2 | 45 | 1528,8 | 5221 | 1315,7 | 3,29 | 11,23 | 2,83 | 464,8 | 2,59 | 17,96 | | |
| [°C / °F] | -35 | -31 | 221,6 | 757 | 190,7 | 0,89 | 3,04 | 0,77 | 248,9 | 1,91 | 2,74 | | |
| cond. pressure | -23,3 | -10 | 412,7 | 1409 | 355,2 | 1,26 | 4,29 | 1,08 | 328,4 | 2,12 | 5,15 | | |
| pc= 55/131 | -15 | 5 | 596,2 | 2036 | 513,1 | 1,53 | 5,22 | 1,32 | 389,7 | 2,32 | 7,50 | | |
| return gas temp | -9,4 | 15 | 743,4 | 2539 | 639,8 | 1,73 | 5,91 | 1,49 | 429,8 | 2,46 | 9,41 | | |
| RGT= 32/90 | -3,9 | 25 | 912,2 | 3115 | 785,1 | 1,95 | 6,67 | 1,68 | 467,3 | 2,59 | 11,64 | | |
| liquid temp | 0 | 32 | 1044,2 | 3566 | 898,6 | 2,13 | 7,26 | 1,83 | 491,3 | 2,68 | 13,41 | | |
| Tliq= 55/131 | 7,2 | 45 | 1321,3 | 4512 | 1137,1 | 2,50 | 8,53 | 2,15 | 528,9 | 2,83 | 17,21 | | |

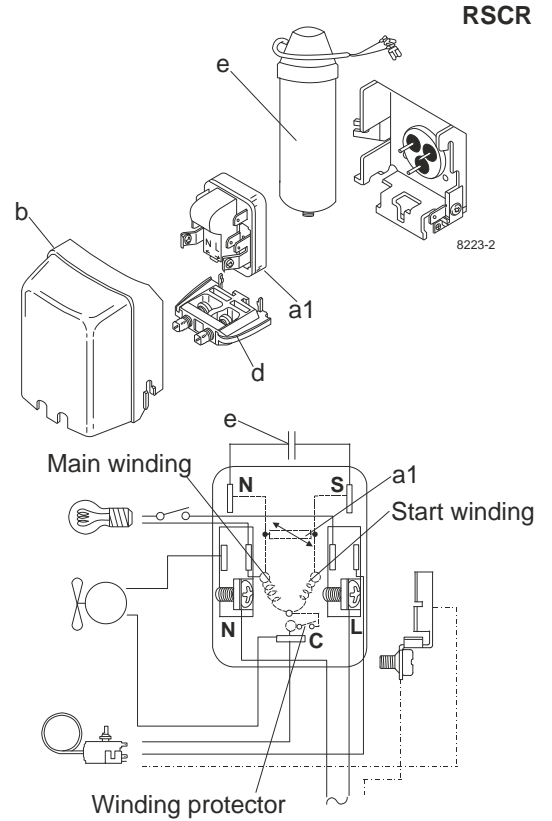
Model

| | | | | | |
|-------------|------------------|----------------------|----------------|-------------|-----------------|
| Designation | NLE8.8CNT | 208-230V/60Hz | Conf. 3 | Sales code: | 105H6088 |
|-------------|------------------|----------------------|----------------|-------------|-----------------|

Configuration

| | | |
|------------------------|------------------|--------|
| Motorconfiguration | RSCR | |
| Power supply (nominal) | 208-230V/60Hz 1~ | |
| Refrigerant | R290 | |
| Application | LBP+MBP | |
| Voltage range | 187-253V | |
| Starting torque | LST | |
| Approvals | UL | SA3693 |
| | CB | |

Electrical accessories / wiring diagram

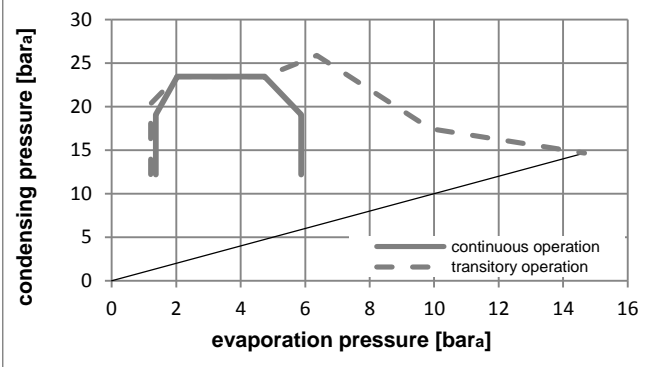
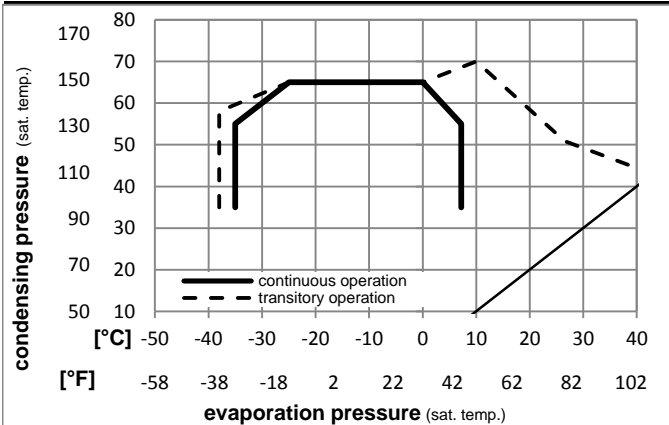


Ambient temperatures / system cooling

| | |
|---------------------------|--------------|
| Ambient temperature min.: | 10°C / 50°F |
| Ambient temperature max.: | 43°C / 110°F |

| System cooling | | | |
|----------------|----------|----------|-----|
| T ambient | LBP | MBP | HBP |
| 32°C / 90°F | fan 3m/s | fan 3m/s | n/a |
| 38°C / 100°F | fan 3m/s | fan 3m/s | n/a |
| 43°C / 110°F | fan 3m/s | fan 3m/s | n/a |

Operation pressure range



Components:

| | | |
|----|------------------------------------|----------|
| a1 | e-PTC starter (220V, 250hm, 4.8mm) | 103N0050 |
| e | run capacitor (4μF, 4.8mm) | 117-7119 |
| b | plastic cover | 103N2011 |
| d | cord relief | 103N1010 |
| | bracket for run capacitor | 117-0300 |
| | screw M4x8mm | 117-0301 |

Model

Designation **NLE8.8CNT 208-230V/60Hz** Conf. **3** Sales code: **105H6088**

Optimization + standard conditions

208-230V/60Hz 1~, RSCR, fan 3m/s, UL, CB

| | | Evaporating pressure (saturation temperature) | | | | Condensing pressure (saturation temperature) | | | | | | Power consumption | | | |
|------|-------|---|------|------|-------|--|---------|----------|-------|----------|-----------|---------------------|-------|----------------|--|
| | | Return gas temp. | | | | Liquid temp. | | | | | | Current consumption | | Ref. mass flow | |
| | | Cooling capacity | | | | COP | | EER | | P1 | I | m | | | |
| | | pe | pc | RGT | Tliq | [W] | [Btu/h] | [kcal/h] | [W/W] | [Btu/Wh] | [kcal/Wh] | [W] | [A] | [kg/h] | |
| [°C] | -23,3 | 54,4 | 32,2 | 32,2 | 511,4 | 1746 | 440,1 | 1,63 | 5,57 | 1,40 | 313,4 | 1,76 | 5,18 | ASHRAE | |
| [°F] | -10 | 130 | 90 | 90 | | | | | | | | | | LBP | |
| [°C] | -25 | 55 | 32 | 55 | 379,6 | 1296 | 326,7 | 1,26 | 4,29 | 1,08 | 302,1 | 1,73 | 4,73 | cecomaf | |
| [°F] | -13 | 131 | 89,6 | 131 | | | | | | | | | | LBP | |
| [°C] | -35 | 40 | 20 | 40 | 301,6 | 1030 | 259,5 | 1,29 | 4,40 | 1,11 | 234,3 | 1,53 | 3,45 | EN12900 | |
| [°F] | -31 | 104 | 68 | 104 | | | | | | | | | | LBP | |
| [°C] | -6,66 | 54,4 | 35 | 46,1 | 917,4 | 3133 | 789,5 | 2,16 | 7,37 | 1,86 | 425,0 | 2,17 | 10,46 | ASHRAE | |
| [°F] | 20 | 130 | 95 | 115 | | | | | | | | | | MBP | |
| [°C] | -10 | 55 | 32 | 55 | 731,4 | 2498 | 629,5 | 1,80 | 6,16 | 1,55 | 405,6 | 2,10 | 9,25 | cecomaf | |
| [°F] | 14 | 131 | 89,6 | 131 | | | | | | | | | | MBP | |
| [°C] | -10 | 45 | 20 | 45 | 804,1 | 2746 | 692,0 | 2,16 | 7,37 | 1,86 | 372,6 | 1,98 | 9,87 | EN12900 | |
| [°F] | 14 | 113 | 68 | 113 | | | | | | | | | | MBP | |

Performance tables

208-230V/60Hz 1~, RSCR, fan 3m/s, UL, CB

| | | pe | Cooling capacity | | | COP | | EER | | P1 | I | m |
|------------------|-------|------|------------------|------|---------|----------|-------|----------|-----------|------|-------|--------|
| | | [°C] | [°F] | [W] | [Btu/h] | [kcal/h] | [W/W] | [Btu/Wh] | [kcal/Wh] | [W] | [A] | [kg/h] |
| [°C / °F] | -35 | -31 | 282,6 | 965 | 243,2 | 1,19 | 4,08 | 1,03 | 236,6 | 1,53 | 3,17 | |
| cond. pressure | -23,3 | -10 | 490,5 | 1675 | 422,1 | 1,63 | 5,57 | 1,40 | 300,7 | 1,72 | 5,54 | |
| pc= 45/113 | -15 | 5 | 690,8 | 2359 | 594,5 | 1,99 | 6,81 | 1,72 | 346,5 | 1,88 | 7,86 | |
| return gas temp. | -9,4 | 15 | 854,7 | 2919 | 735,6 | 2,28 | 7,78 | 1,96 | 375,4 | 1,99 | 9,78 | |
| RGT= 32/90 | -3,9 | 25 | 1046,7 | 3575 | 900,8 | 2,60 | 8,89 | 2,24 | 402,0 | 2,09 | 12,07 | |
| liquid temp | 0 | 32 | 1199,6 | 4097 | 1032,4 | 2,87 | 9,79 | 2,47 | 418,7 | 2,15 | 13,91 | |
| Tliq= 45/113 | 7,2 | 45 | 1528,2 | 5219 | 1315,2 | 3,44 | 11,74 | 2,96 | 444,6 | 2,25 | 17,96 | |
| [°C / °F] | -35 | -31 | 197,9 | 676 | 170,3 | 0,85 | 2,91 | 0,73 | 232,1 | 1,52 | 2,45 | |
| cond. pressure | -23,3 | -10 | 413,2 | 1411 | 355,6 | 1,32 | 4,50 | 1,13 | 313,9 | 1,77 | 5,15 | |
| pc= 55/131 | -15 | 5 | 600,4 | 2050 | 516,7 | 1,61 | 5,51 | 1,39 | 372,2 | 1,97 | 7,55 | |
| return gas temp. | -9,4 | 15 | 747,0 | 2551 | 642,9 | 1,83 | 6,23 | 1,57 | 409,3 | 2,11 | 9,46 | |
| RGT= 32/90 | -3,9 | 25 | 914,9 | 3125 | 787,4 | 2,06 | 7,04 | 1,77 | 444,0 | 2,25 | 11,68 | |
| liquid temp | 0 | 32 | 1046,9 | 3575 | 900,9 | 2,24 | 7,67 | 1,93 | 466,4 | 2,34 | 13,45 | |
| Tliq= 55/131 | 7,2 | 45 | 1327,7 | 4534 | 1142,6 | 2,64 | 9,02 | 2,27 | 502,7 | 2,49 | 17,30 | |