

Model

Designation	NLU11KK.1	220-240V/50Hz 1~	Sales code:	105H6132
-------------	------------------	------------------	-------------	-----------------

Compressor design

Oil type	Mineral	Refrigerant(s)	R600a
Oil viscosity	5cST	Displacement	11,15cm ³ / 0,68cu.in
Oil quantity	265cm ³ / 9fl.oz	Compressors on pallet	80
Refr. charge - tech. limit	150g / 5,3oz		
Free gas volume comp.	2360cm ³ / 79,8fl.oz		
Weight	12,1kg / 26,7lbs		
Motor protection	1# internal		
Winding resistance main	19Ω (at 25°C)		
Winding resistance aux	24Ω (at 25°C)		
Max. winding temp.	105°C / 221°F		
Max. discharge temp.	125°C / 257°F		



General - Configurations with NLU11KK.1

	Conf. 1
Motorconfiguration	RSCR
Power supply (nominal)	220-240V/50Hz
Number of phases	1
Voltage range	198-254V
Approvals	VDE
Starting torque	LST
Note	- / -

Applications with NLU11KK.1

	Conf. 1
Refrigerant	R600a
Application	LBP
System cooling	static
Hot gas defrost	- / -
Long interval pull down	- / -

Electrical data - Configurations with NLU11KK.1

	Conf. 1
Starting device type	PTC
Run capacitor	2μF
Start capacitor	- / -
LRA (locked rotor amps / 4s)	3,4A
RLA (rated load amps / 1s)	0,6A
Cut in current	6,2A

Model

Designation

NLU11KK.1

220-240V/50Hz 1~

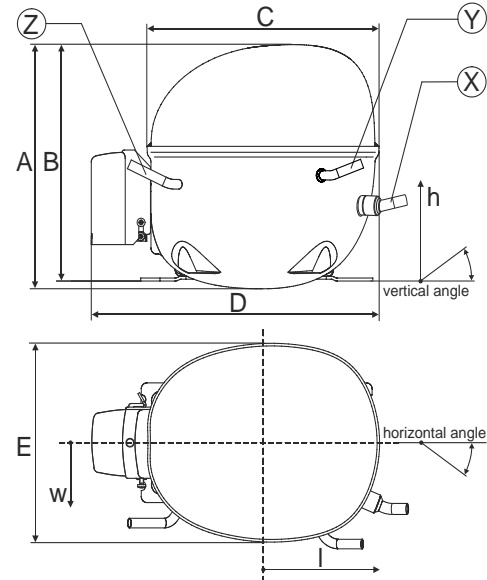
Sales code:

105H6132

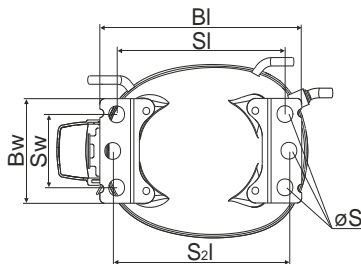
Compressor dimensions

Housing	A Height	203mm / 7,99in
	B Height	197mm / 7,76in
	C Length shell	205mm / 8,07in
	D Length w. cover	254mm / 10in
	E Width	166mm / 6,54in

Connectors		Suction	Discharge	Process
		X	Y	Z
Diameter	[mm]	øi 6,11-6,29	øi 5,12-5,22	øi 6,11-6,29
	(i:inside, o:outside) [in]	øi 0,24-0,25	øi 0,2-0,21	øi 0,24-0,25
Material		copper	copper	copper
Horizontal angle	±2°	0°	0°	0°
Vertical angle	±2°	15°	21°	155°
Position l/h/w	[mm]	133/71/57	91/103/81	-107/94/72
	[in]	5,2/2,8/2,2	3,6/4/3,2	-4,2/3,7/2,8
Straight tube l.	[mm]	12	12	12
	[in]	0,5	0,5	0,5



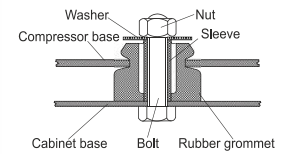
Compressor fixation



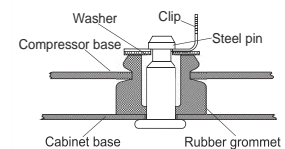
Baseplate	[mm]	[inch]
BI	204	8.03
Bw	100	3.94

Small holes	[mm]	[inch]
SI	170	6.7
Sw	70	2.76
S2l	178	7
øS	ø 16	ø 0.63

Bolt joint



Snap-on



Mounting accessories	one comp.	multi pack
Bolt joint M6 ø16mm	118-1917	118-1918
Bolt joint ø1/4" ø16mm	118-1946	
Bolt joint ø1/4" ø19mm	118-1949	
Snap-on ø7,3 ø16mm	118-1947	118-1919

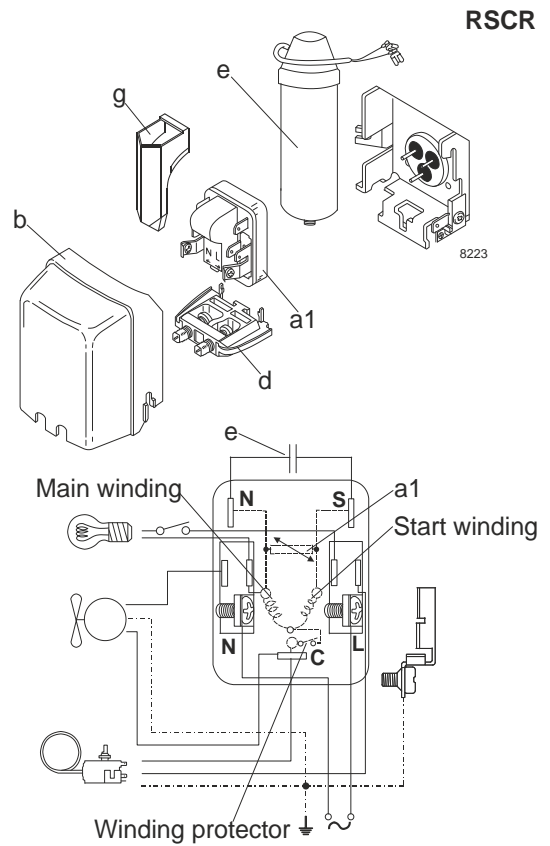
Model

Designation	NLU11KK.1	220-240V/50Hz	Conf. 1	Sales code:	105H6132
-------------	------------------	----------------------	----------------	-------------	-----------------

Configuration

Motorconfiguration	RSCR
Power supply (nominal)	220-240V/50Hz 1~
Refrigerant	R600a
Application	LBP
Voltage range	198-254V
Starting torque	LST
Approvals	VDE

Electrical accessories / wiring diagram

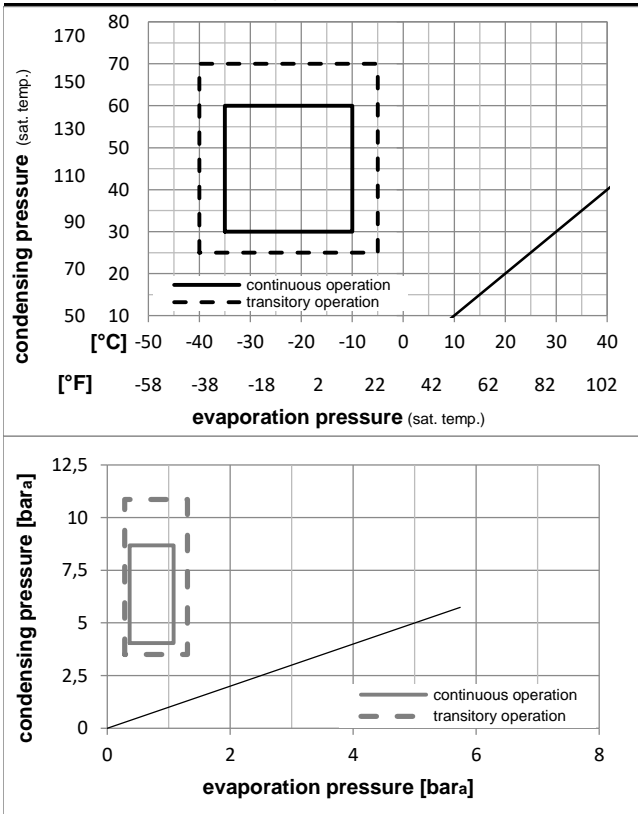


Ambient temperatures / system cooling

Ambient temperature min.:	10°C / 50°F
Ambient temperature max.:	43°C / 110°F

System cooling (n/a: outside limits)			
T ambient	LBP	MBP	HBP
32°C / 90°F	static	n/a	n/a
38°C / 100°F	static	n/a	n/a
43°C / 110°F	static	n/a	n/a

Operation pressure range



Components

a1	e-PTC starter (220V, 38Ohm, 4.8mm)	103N0055
e	run capacitor (2.5μF, 4.8mm)	117-7139
b	plastic cover	103N2010
d	cord relief	103N1010
	bracket for run capacitor	117-0300
	screw M4x8mm	117-0301

Alternative components

a1	PTC starter (220V, 25Ohm, 4.8mm)	103N0021
e	run capacitor (2.5μF, 4.8mm)	117-7139
b	plastic cover	103N2011
d	cord relief	103N1010
g	protection screen for PTC	103N0476
	bracket for run capacitor	117-0300

Model

Designation **NLU11KK.1 220-240V/50Hz** Conf. 1 Sales code: **105H6132**

Optimization + standard conditions

R600a, 220V/50Hz, RSCR, static, VDE

Evaporating pressure (saturation temperature)		Condensing pressure (saturation temperature)				Return gas temp.		Liquid temp.		Cooling capacity			COP	EER	P1	Current consumption		Ref. mass flow	
pe	pc	RGT	Tliq		[W]	[Btu/h]	[kcal/h]	[W/W]	[Btu/Wh]	[kcal/Wh]	[W]	[A]	[kg/h]						
[°C]	[°C]	[°C]	[°C]	[°C]															
-23,3	54,4	32,2	32,2		199,2	680	171,4	1,97	6,73	1,70	101,1	0,46	2,14						ASHRAE LBP
-10	130	90	90																
[°C]	-25	55	32	55	149,3	510	128,5	1,55	5,29	1,33	96,3	0,43	1,95						cecomaf LBP
[°F]	-13	131	89,6	131															
[°C]	-35	40	20	40	104,9	358	90,3	1,59	5,42	1,36	66,1	0,30	1,28						EN12900 LBP
[°F]	-31	104	68	104															
[°C]	-23,3	48,9	4,44	48,9	162,9	556	140,2	1,66	5,68	1,43	97,9	0,44	2,38						ARI540 LBP
[°F]	-10	120	40	120															
[°C]	-23,3	40,6	32,2	32,2	215,3	735	185,3	2,32	7,92	1,99	92,9	0,42	2,31						AHAM LBP
[°F]	-10	105	90	90															
[°C]	-35	45	32	45	99,7	341	85,8	1,49	5,09	1,28	66,8	0,30	1,18						opt
[°F]	-31	113	89,6	113															

Performance tables

R600a, 220V/50Hz, RSCR, static, VDE

	pe	Cooling capacity			COP		EER		P1	I	m
	[°C]	[°F]	[W]	[Btu/h]	[kcal/h]	[W/W]	[Btu/Wh]	[kcal/Wh]	[W]	[A]	[kg/h]
[°C / °F]	-35	-31	99,7	341	85,8	1,49	5,09	1,28	66,8	0,30	1,18
cond. pressure	-30	-22	133,7	456	115,0	1,69	5,78	1,46	79,0	0,36	1,59
pc= 45/113	-25	-13	174,6	596	150,3	1,91	6,53	1,65	91,3	0,41	2,08
return gas temp.	-23,3	-10	190,3	650	163,8	1,99	6,79	1,71	95,7	0,43	2,27
RGT= 32/90	-20	-4	223,6	764	192,5	2,14	7,32	1,85	104,3	0,48	2,67
liquid temp	-15	5	281,7	962	242,5	2,38	8,14	2,05	118,2	0,54	3,37
Tliq= 45/113	-10	14	350,0	1195	301,2	2,62	8,96	2,26	133,4	0,61	4,19
[°C / °F]	-35	-31	81,0	276	69,7	1,22	4,17	1,05	66,3	0,30	1,05
cond. pressure	-30	-22	112,0	382	96,4	1,38	4,70	1,18	81,3	0,37	1,46
pc= 55/131	-25	-13	149,3	510	128,5	1,55	5,29	1,33	96,3	0,43	1,95
return gas temp	-23,3	-10	163,5	559	140,7	1,61	5,50	1,39	101,5	0,46	2,13
RGT= 32/90	-20	-4	193,8	662	166,8	1,74	5,93	1,49	111,6	0,51	2,53
liquid temp	-15	5	246,7	843	212,3	1,93	6,61	1,66	127,5	0,58	3,23
Tliq= 55/131	-10	14	309,0	1055	265,9	2,14	7,31	1,84	144,5	0,66	4,06