

Model

Designation	NLX10KK.2	220-240V/50Hz 1~	Sales code:	105H6101
-------------	------------------	------------------	-------------	-----------------

Compressor design

Oil type	Polyolester	Refrigerant(s)	R600a
Oil viscosity	5,8cST	Displacement	10,09cm ³ / 0,62cu.in
Oil quantity	264cm ³ / 8,9fl.oz	Compressors on pallet	80
Refr. charge - tech. limit	150g / 5,3oz		
Free gas volume comp.	2360cm ³ / 79,8fl.oz		
Weight	10,7kg / 23,6lbs		
Motor protection	1# internal		
Winding resistance main	19,4Ω (at 25°C)		
Winding resistance aux	35Ω (at 25°C)		
Max. winding temp.	95°C / 203°F		
Max. discharge temp.	125°C / 257°F		



General - Configurations with NLX10KK.2

	Conf. 1	Conf. 2
Motorconfiguration	RSCR	RSCR
Power supply (nominal)	220-240V/50Hz	220-240V/50Hz
Number of phases	1	1
Voltage range	198-254V	198-254V
Approvals	VDE, CCC, EAC	VDE, CCC, EAC
Starting torque	LST	LST
Note	- / -	

Applications with NLX10KK.2

	Conf. 1	Conf. 2
Refrigerant	R600a	R600a
Application	LBP	LBP
System cooling	static	static
Hot gas defrost	- / -	- / -
Long interval pull down	- / -	- / -

Electrical data - Configurations with NLX10KK.2

	Conf. 1	Conf. 2
Starting device type	PTC	PTC
Run capacitor	2μF	4μF
Start capacitor	- / -	- / -
LRA (locked rotor amps / 4s)	3,2A	3,2A
RLA (rated load amps / 1s)	0,6A	0,6A
Cut in current	6A	6A

Model

Designation

NLX10KK.2

220-240V/50Hz 1~

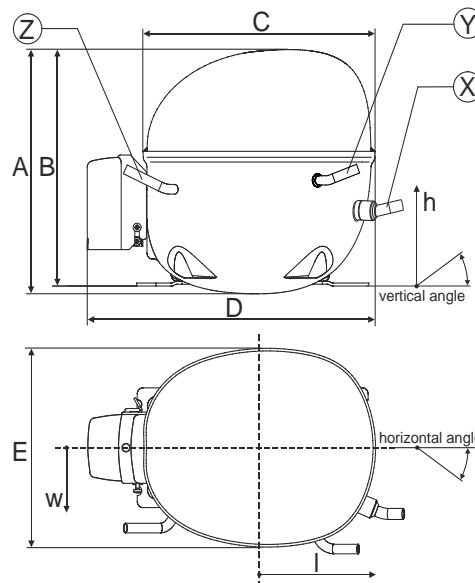
Sales code:

105H6101

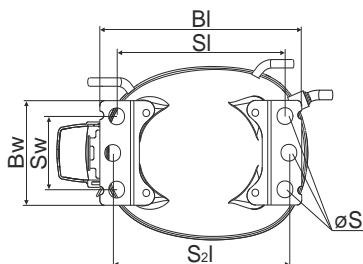
Compressor dimensions

Housing	A Height	203mm / 7,99in
	B Height	197mm / 7,76in
	C Length shell	205mm / 8,07in
	D Length w. cover	254mm / 10in
	E Width	166mm / 6,54in

Connectors		Suction	Discharge	Process
		X	Y	Z
Diameter	[mm]	øi 6,11-6,29	øi 5,12-5,22	øi 6,11-6,29
(i:inside, o:outside)	[in]	øi 0,24-0,25	øi 0,2-0,21	øi 0,24-0,25
Material		copper	copper	copper
Horizontal angle	±2°	0°	0°	0°
Vertical angle	±2°	15°	21°	155°
Position l/h/w	[mm]	133/71/57	91/103/81	-107/94/72
	[in]	5,2/2,8/2,2	3,6/4/3,2	-4,2/3,7/2,8
Straight tube l.	[mm]	12	12	12
	[in]	0,5	0,5	0,5



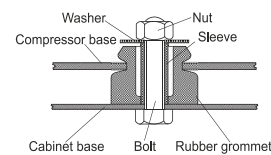
Compressor fixation



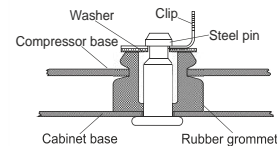
Baseplate	[mm]	[inch]
BI	204	8.03
Bw	100	3.94

Small holes	[mm]	[inch]
SI	170	6.7
Sw	70	2.76
S2l	178	7
øS	ø 16	ø 0.63

Bolt joint



Snap-on



Mounting accessories	one comp.	multi pack
Bolt joint M6 ø16mm	118-1917	118-1918
Bolt joint ø1/4" ø16mm	118-1946	
Bolt joint ø1/4" ø19mm	118-1949	
Snap-on ø7,3 ø16mm	118-1947	118-1919

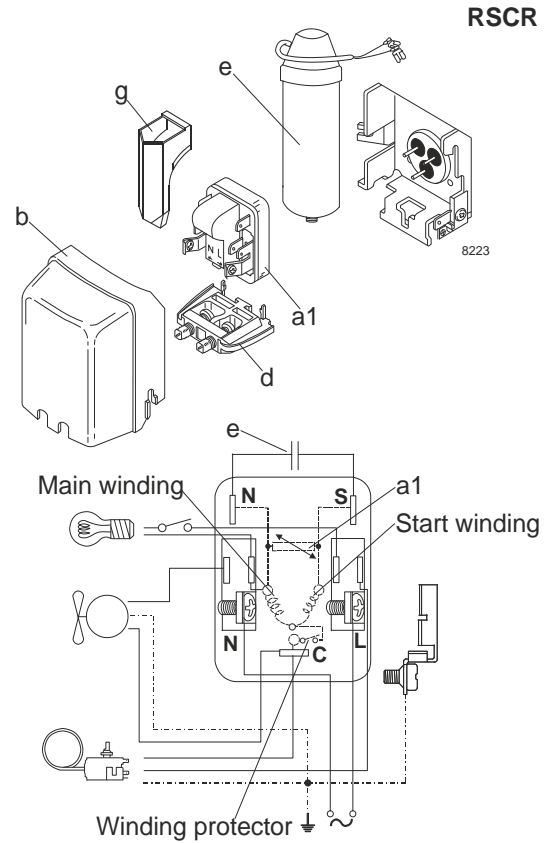
Model

Designation	NLX10KK.2	220-240V/50Hz	Conf. 1	Sales code:	105H6101
-------------	------------------	----------------------	----------------	-------------	-----------------

Configuration

Motorconfiguration	RSCR
Power supply (nominal)	220-240V/50Hz 1~
Refrigerant	R600a
Application	LBP
Voltage range	198-254V
Starting torque	LST
Approvals	VDE CCC EAC

Electrical accessories / wiring diagram

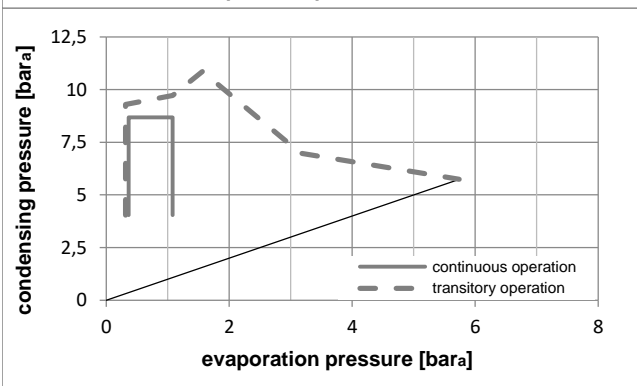
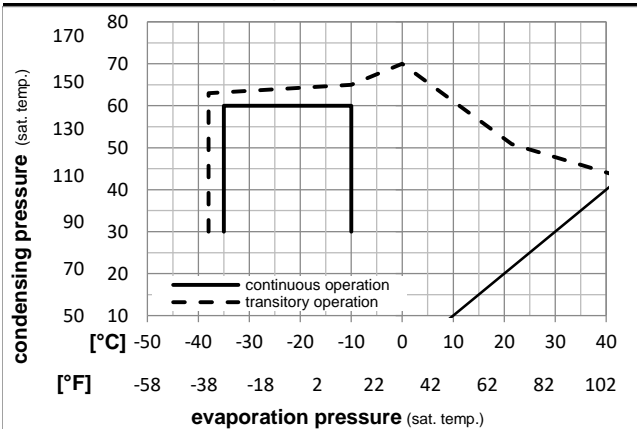


Ambient temperatures / system cooling

Ambient temperature min.:	10°C / 50°F
Ambient temperature max.:	43°C / 110°F

System cooling (n/a: outside limits)			
T ambient	LBP	MBP	HBP
32°C / 90°F	static	n/a	n/a
38°C / 100°F	static	n/a	n/a
43°C / 110°F	static	n/a	n/a

Operation pressure range



Components

a1	PTC starter (220V, 250ohm, 4.8mm)	103N0021
e	run capacitor (2μF, 4.8mm)	117-7136
b	plastic cover	103N2010
d	cord relief	103N1010
g	protection screen for PTC	103N0476
	bracket for run capacitor	117-0300

Alternative components

b	plastic cover	103N2011
	screw M4x8mm	117-0301

Model

Designation **NLX10KK.2 220-240V/50Hz** Conf. 1 Sales code: **105H6101**

Optimization + standard conditions

R600a, 220V/50Hz, RSCR, static, VDE, CCC, EAC

Evaporating pressure (saturation temperature)					Condensing pressure (saturation temperature)					Power consumption				
					Return gas temp.					Current consumption				
					Liquid temp.					Ref. mass flow				
					Cooling capacity					COP EER				
					P1					I m				
pe	pc	RGT	Tliq		[W]	[Btu/h]	[kcal/h]	[W/W]	[Btu/Wh]	[kcal/Wh]	[W]	[A]	[kg/h]	
[°C]	-23,3	54,4	32,2	32,2	177,1	605	152,4	1,89	6,44	1,62	93,9	0,46	1,90	ASHRAE LBP
[°F]	-10	130	90	90										
[°C]	-25	55	32	55	133,0	454	114,5	1,49	5,08	1,28	89,5	0,44	1,74	cecomaf LBP
[°F]	-13	131	89,6	131										
[°C]	-35	40	20	40	95,4	326	82,1	1,53	5,23	1,32	62,3	0,32	1,16	EN12900 LBP
[°F]	-31	104	68	104										
[°C]	-23,3	48,9	4,44	48,9	145,3	496	125,1	1,59	5,44	1,37	91,2	0,45	2,12	ARI540 LBP
[°F]	-10	120	40	120										
[°C]	-23,3	40,6	32,2	32,2	192,6	658	165,8	2,25	7,68	1,93	85,7	0,42	2,07	AHAM LBP
[°F]	-10	105	90	90										
[°C]	-35	45	32	45	91,0	311	78,3	1,43	4,89	1,23	63,5	0,32	1,08	opt
[°F]	-31	113	89,6	113										

Performance tables

R600a, 220V/50Hz, RSCR, static, VDE, CCC, EAC

	pe	Cooling capacity			COP			EER			P1	I	m
	[°C]	[°F]	[W]	[Btu/h]	[kcal/h]	[W/W]	[Btu/Wh]	[kcal/Wh]	[W]	[A]	[kg/h]		
[°C / °F]	-35	-31	91,0	311	78,3	1,43	4,89	1,23	63,5	0,32	1,08		
cond. pressure	-30	-22	120,6	412	103,8	1,63	5,57	1,40	74,0	0,37	1,43		
pc= 45/113	-25	-13	156,4	534	134,6	1,84	6,28	1,58	85,0	0,42	1,86		
return gas temp.	-23,3	-10	170,1	581	146,4	1,91	6,54	1,65	88,9	0,44	2,03		
RGT= 32/90	-20	-4	199,2	680	171,4	2,06	7,04	1,77	96,7	0,47	2,38		
liquid temp	-15	5	250,0	854	215,2	2,29	7,82	1,97	109,2	0,53	2,99		
Tliq= 45/113	-10	14	309,7	1058	266,5	2,52	8,62	2,17	122,7	0,59	3,71		
[°C / °F]	-35	-31	74,5	254	64,1	1,17	4,01	1,01	63,5	0,32	0,97		
cond. pressure	-30	-22	101,0	345	87,0	1,33	4,53	1,14	76,2	0,38	1,32		
pc= 55/131	-25	-13	133,0	454	114,5	1,49	5,08	1,28	89,5	0,44	1,74		
return gas temp	-23,3	-10	145,3	496	125,1	1,54	5,27	1,33	94,2	0,46	1,90		
RGT= 32/90	-20	-4	171,4	585	147,5	1,65	5,65	1,42	103,6	0,51	2,24		
liquid temp	-15	5	217,0	741	186,7	1,83	6,25	1,58	118,5	0,58	2,84		
Tliq= 55/131	-10	14	270,7	924	232,9	2,01	6,87	1,73	134,5	0,65	3,55		

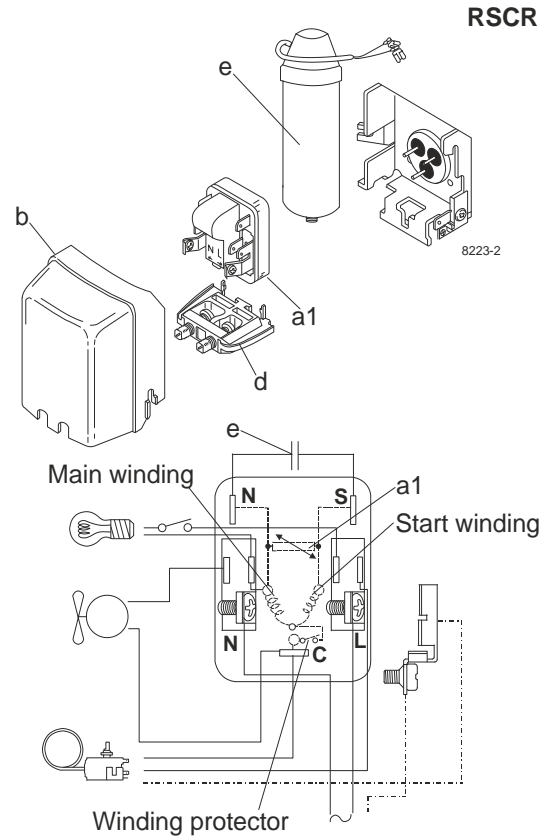
Model

Designation	NLX10KK.2	220-240V/50Hz	Conf. 2	Sales code:	105H6101
-------------	------------------	----------------------	----------------	-------------	-----------------

Configuration

Motorconfiguration	RSCR
Power supply (nominal)	220-240V/50Hz 1~
Refrigerant	R600a
Application	LBP
Voltage range	198-254V
Starting torque	LST
Approvals	VDE CCC EAC

Electrical accessories / wiring diagram

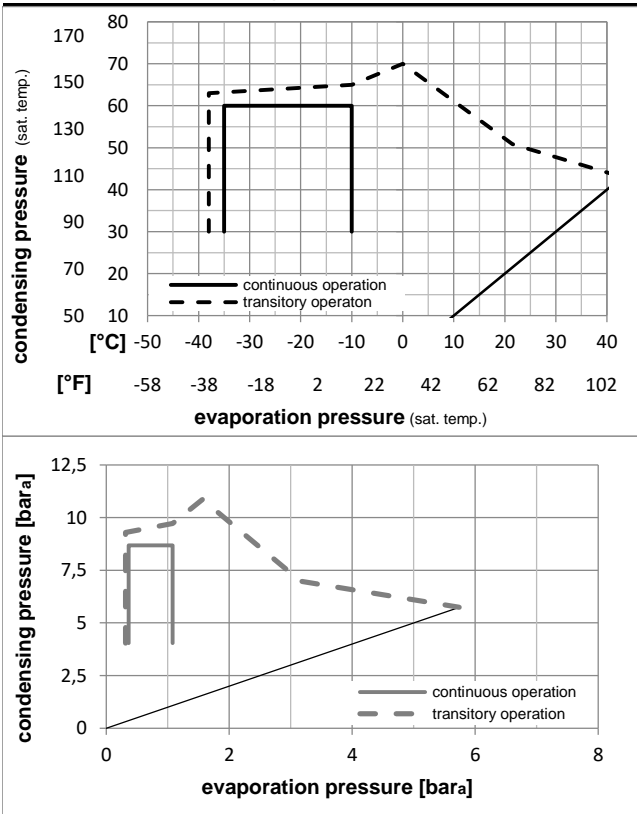


Ambient temperatures / system cooling

Ambient temperature min.:	10°C / 50°F
Ambient temperature max.:	43°C / 110°F

System cooling (n/a: outside limits)			
T ambient	LBP	MBP	HBP
32°C / 90°F	static	n/a	n/a
38°C / 100°F	static	n/a	n/a
43°C / 110°F	static	n/a	n/a

Operation pressure range



Components

a1	e-PTC starter (220V, 250ohm, 4.8mm)	103N0050
e	run capacitor (4μF, 4.8mm)	117-7119
b	plastic cover	103N2010
d	cord relief	103N1010
	bracket for run capacitor	117-0300
	screw M4x8mm	117-0301

Alternative components

b	plastic cover	103N2011
---	---------------	----------

Model

Designation **NLX10KK.2 220-240V/50Hz** Conf. 2 Sales code: **105H6101**

Optimization + standard conditions

R600a, 220V/50Hz, RSCR, static, VDE, CCC, EAC

Evaporating pressure (saturation temperature)		Condensing pressure (saturation temperature)				Cooling capacity						Power consumption			Ref. mass flow m	
		Return gas temp.						COP		EER		P1	I			
		Liquid temp.				[W]	[Btu/h]	[kcal/h]	[W/W]	[Btu/Wh]	[kcal/Wh]	[W]	[A]	[kg/h]		
pe	pc	RGT	Tliq													
[°C]	-23	54,4	32,2	32,2	177,1	605	152,4	1,89	6,44	1,62	93,9	0,46	1,90	ASHRAE LBP		
[°F]	-10	130	90	90												
[°C]	-25	55	32	55	133,0	454	114,5	1,49	5,08	1,28	89,5	0,44	1,74	cecomaf LBP		
[°F]	-13	131	89,6	131												
[°C]	-35	40	20	40	95,4	326	82,1	1,53	5,23	1,32	62,3	0,32	1,16	EN12900 LBP		
[°F]	-31	104	68	104												
[°C]	-23	48,9	4,44	48,9	145,3	496	125,1	1,59	5,44	1,37	91,2	0,45	2,12	ARI540 LBP		
[°F]	-10	120	40	120												
[°C]	-23	40,6	32,2	32,2	192,6	658	165,8	2,25	7,68	1,93	85,7	0,42	2,07	AHAM LBP		
[°F]	-10	105	90	90												
[°C]	-35	45	32	45	91,0	311	78,3	1,43	4,89	1,23	63,5	0,32	1,08	opt		
[°F]	-31	113	89,6	113												

Performance tables

R600a, 220V/50Hz, RSCR, static, VDE, CCC, EAC

	pe		Cooling capacity			COP		EER		P1	I	m
	[°C]	[°F]	[W]	[Btu/h]	[kcal/h]	[W/W]	[Btu/Wh]	[kcal/Wh]	[W]	[A]	[kg/h]	
[°C / °F]	-35	-31	91,0	311	78,3	1,43	4,89	1,23	63,5	0,32	1,08	
cond. pressure	-30	-22	120,6	412	103,8	1,63	5,57	1,40	74,0	0,37	1,43	
pc= 45/113	-25	-13	156,4	534	134,6	1,84	6,28	1,58	85,0	0,42	1,86	
return gas temp.	-23	-10	170,1	581	146,4	1,91	6,54	1,65	88,9	0,44	2,03	
RGT= 32/90	-20	-4	199,2	680	171,4	2,06	7,04	1,77	96,7	0,47	2,38	
liquid temp	-15	5	250,0	854	215,2	2,29	7,82	1,97	109,2	0,53	2,99	
Tliq= 45/113	-10	14	309,7	1058	266,5	2,52	8,62	2,17	122,7	0,59	3,71	
[°C / °F]	-35	-31	74,5	254	64,1	1,17	4,01	1,01	63,5	0,32	0,97	
cond. pressure	-30	-22	101,0	345	87,0	1,33	4,53	1,14	76,2	0,38	1,32	
pc= 55/131	-25	-13	133,0	454	114,5	1,49	5,08	1,28	89,5	0,44	1,74	
return gas temp	-23	-10	145,3	496	125,1	1,54	5,27	1,33	94,2	0,46	1,90	
RGT= 32/90	-20	-4	171,4	585	147,5	1,65	5,65	1,42	103,6	0,51	2,24	
liquid temp	-15	5	217,0	741	186,7	1,83	6,25	1,58	118,5	0,58	2,84	
Tliq= 55/131	-10	14	270,7	924	232,9	2,01	6,87	1,73	134,5	0,65	3,55	