

## Model

Designation	<b>NLX13KK.1</b>	220-240V/50Hz 1~	Sales code:	<b>105H6304</b>
-------------	------------------	------------------	-------------	-----------------

## Compressor design

Oil type	Mineral	Refrigerant(s)	<b>R600a</b>
Oil viscosity	9,6cST	Displacement	13,25cm <sup>3</sup> / 0,81cu.in
Oil quantity	265cm <sup>3</sup> / 9fl.oz	Compressors on pallet	80
Refr. charge - tech. limit	150g / 5,3oz		
Free gas volume comp.	2360cm <sup>3</sup> / 79,8fl.oz		
Weight	10,8kg / 23,8lbs		
Motor protection	1# internal		
Winding resistance main	18Ω (at 25°C)		
Winding resistance aux	28Ω (at 25°C)		
Max. winding temp.	95°C / 203°F		
Max. discharge temp.	125°C / 257°F		



## General - Configurations with NLX13KK.1

	<b>Conf. 1</b>
Motorconfiguration	RSCR
Power supply (nominal)	220-240V/50Hz
Number of phases	1
Voltage range	198-254V
Approvals	VDE
Starting torque	LST
Note	- / -

## Applications with NLX13KK.1

	<b>Conf. 1</b>
Refrigerant	R600a
Application	LBP
System cooling	static
Hot gas defrost	- / -
Long interval pull down	- / -

## Electrical data - Configurations with NLX13KK.1

	<b>Conf. 1</b>
Starting device type	PTC
Run capacitor	4μF
Start capacitor	- / -
LRA (locked rotor amps / 4s)	4,5A
RLA (rated load amps / 1s)	0,8A
Cut in current	8A

## Model

Designation

**NLX13KK.1**

220-240V/50Hz 1~

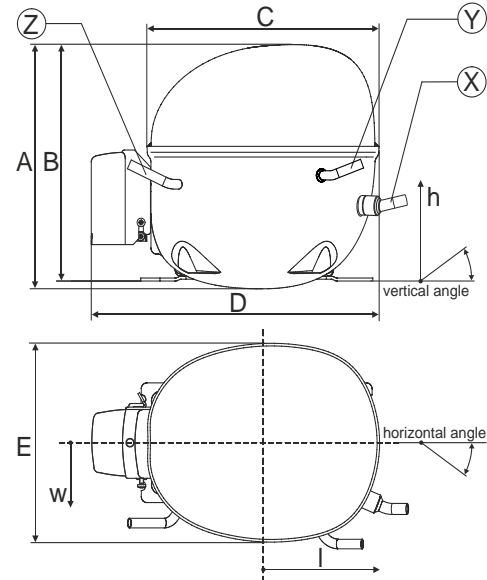
Sales code:

**105H6304**

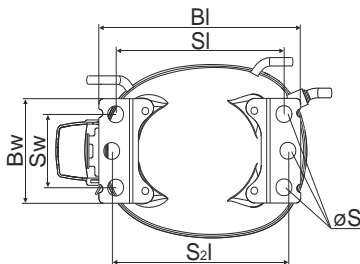
## Compressor dimensions

Housing	A Height	203mm / 7,99in
	B Height	197mm / 7,76in
	C Length shell	205mm / 8,07in
	D Length w. cover	254mm / 10in
	E Width	166mm / 6,54in

Connectors	Suction			Discharge			Process		
		X		Y		Z			
Diameter	[mm]	øi 6,11-6,29		øi 5,12-5,22		øi 6,11-6,29			
(i:inside, o:outside)	[in]	øi 0,24-0,25		øi 0,2-0,21		øi 0,24-0,25			
Material		copper		copper		copper			
Horizontal angle	±2°	0°		0°		0°			
Vertical angle	±2°	15°		21°		155°			
Position l/h/w	[mm]	133/71/57		91/103/81		-107/94/72			
	[in]	5,2/2,8/2,2		3,6/4/3,2		-4,2/3,7/2,8			
Straight tube l.	[mm]	12		12		12			
	[in]	0,5		0,5		0,5			



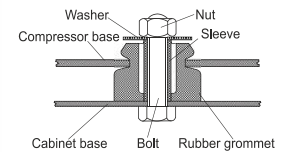
## Compressor fixation



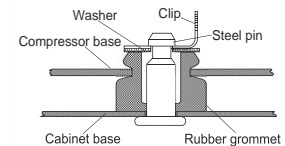
Baseplate	[mm]	[inch]
BI	204	8.03
Bw	100	3.94

Small holes	[mm]	[inch]
SI	170	6.7
Sw	70	2.76
S2l	178	7
øS	ø 16	ø 0.63

### Bolt joint



### Snap-on



Mounting accessories	one comp.	multi pack
Bolt joint   M6   ø16mm	118-1917	118-1918
Bolt joint   ø1/4"   ø16mm	118-1946	
Bolt joint   ø1/4"   ø19mm	118-1949	
Snap-on   ø7,3   ø16mm	118-1947	118-1919

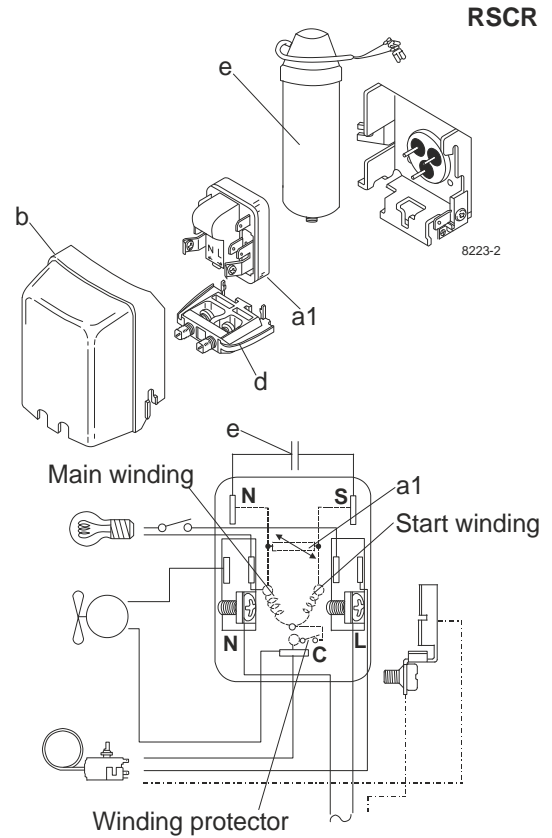
## Model

Designation	<b>NLX13KK.1</b>	<b>220-240V/50Hz</b>	<b>Conf. 1</b>	Sales code:	<b>105H6304</b>
-------------	------------------	----------------------	----------------	-------------	-----------------

## Configuration

Motorconfiguration	RSCR
Power supply (nominal)	220-240V/50Hz 1~
Refrigerant	R600a
Application	LBP
Voltage range	198-254V
Starting torque	LST
Approvals	VDE

## Electrical accessories / wiring diagram

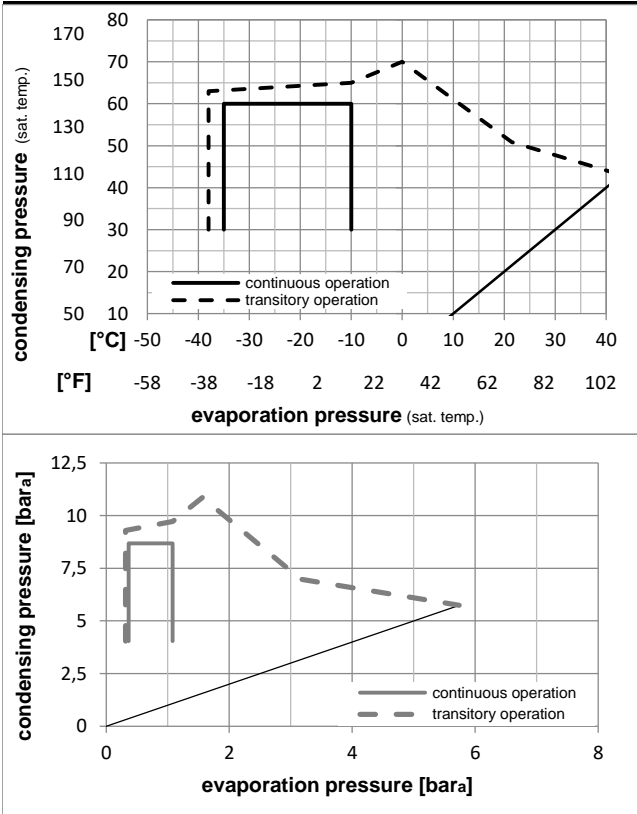


## Ambient temperatures / system cooling

Ambient temperature min.:	10°C / 50°F
Ambient temperature max.:	43°C / 110°F

System cooling (n/a: outside limits)			
T ambient	LBP	MBP	HBP
32°C / 90°F	static	n/a	n/a
38°C / 100°F	static	n/a	n/a
43°C / 110°F	static	n/a	n/a

## Operation pressure range



## Components

a1	e-PTC starter (220V, 250Ohm, 4.8mm)	103N0050
e	run capacitor (4μF, 4.8mm)	117-7119
b	plastic cover	103N2010
d	cord relief	103N1010
	bracket for run capacitor	117-0300
	screw M4x8mm	117-0301

## Alternative components

b	plastic cover	103N2011
---	---------------	----------

## Model

Designation **NLX13KK.1 220-240V/50Hz** Conf. 1 Sales code: **105H6304**

## Optimization + standard conditions

R600a, 220V/50Hz, RSCR, static, VDE

Evaporating pressure (saturation temperature)					Condensing pressure (saturation temperature)					Power consumption				
					Return gas temp.					Current consumption				
					Liquid temp.					Ref. mass flow				
					Cooling capacity					COP EER				
pe	pc	RGT	Tliq		[W]	[Btu/h]	[kcal/h]	[W/W]	[Btu/Wh]	[kcal/Wh]	P1	I	m	
[°C]	[°C]		[°C]	[°C]							[W]	[A]	[kg/h]	
-23,3	54,4	32,2	32,2		222,9	761	191,9	1,75	5,96	1,50	127,7	0,64	2,39	ASHRAE LBP
-10	130	90	90											
[°F]														
-25	55	32	55		167,0	571	143,8	1,37	4,68	1,18	122,0	0,62	2,18	cecomaf LBP
-13	131	89,6	131											
[°F]														
-35	40	20	40		118,0	403	101,5	1,31	4,46	1,12	90,3	0,47	1,44	EN12900 LBP
-31	104	68	104											
[°F]														
-23,3	48,9	4,44	48,9		182,9	624	157,4	1,46	5,00	1,26	124,8	0,63	2,67	ARI540 LBP
-10	120	40	120											
[°F]														
-23,3	40,6	32,2	32,2		243,4	831	209,5	2,05	6,99	1,76	118,8	0,61	2,61	AHAM LBP
-10	105	90	90											
[°F]														
-35	45	32	45		111,8	382	96,2	1,24	4,23	1,07	90,3	0,46	1,33	opt
-31	113	89,6	113											
[°F]														

## Performance tables

R600a, 220V/50Hz, RSCR, static, VDE

	pe	Cooling capacity			COP			EER			P1	I	m
	[°C]	[°F]	[W]	[Btu/h]	[kcal/h]	[W/W]	[Btu/Wh]	[kcal/Wh]	[W]	[A]	[kg/h]		
[°C / °F]	-35	-31	111,8	382	96,2	1,24	4,23	1,07	90,3	0,46	1,33		
cond. pressure	-30	-22	150,2	513	129,2	1,44	4,93	1,24	103,9	0,53	1,79		
pc= 45/113	-25	-13	196,5	671	169,1	1,67	5,71	1,44	117,6	0,60	2,34		
return gas temp.	-23,3	-10	214,3	732	184,4	1,75	5,98	1,51	122,4	0,62	2,55		
RGT= 32/90	-20	-4	252,0	861	216,8	1,91	6,51	1,64	132,1	0,67	3,00		
liquid temp	-15	5	317,7	1085	273,4	2,14	7,31	1,84	148,5	0,75	3,80		
Tliq= 45/113	-10	14	394,9	1349	339,9	2,36	8,04	2,03	167,7	0,83	4,73		
[°C / °F]	-35	-31	90,8	310	78,2	1,05	3,60	0,91	86,1	0,46	1,18		
cond. pressure	-30	-22	125,5	428	108,0	1,20	4,11	1,03	104,4	0,53	1,63		
pc= 55/131	-25	-13	167,0	571	143,8	1,37	4,68	1,18	122,0	0,62	2,18		
return gas temp	-23,3	-10	183,0	625	157,5	1,43	4,88	1,23	128,1	0,65	2,39		
RGT= 32/90	-20	-4	216,8	740	186,6	1,55	5,29	1,33	140,0	0,70	2,83		
liquid temp	-15	5	275,8	942	237,4	1,73	5,91	1,49	159,4	0,80	3,61		
Tliq= 55/131	-10	14	345,3	1179	297,2	1,91	6,52	1,64	181,0	0,89	4,53		