

Model

Designation	SC10CLX	220-240V/50Hz 1~ 220-240V/60Hz 1~	Sales code:	104L2512
-------------	----------------	-----------------------------------	-------------	-----------------

Compressor design

Oil type	Polyolester	Refrigerant(s)	R404A, R507
Oil viscosity	32cST	Displacement	10,29cm ³ / 0,63cu.in
Oil quantity	500cm ³ / 16,9fl.oz	Compressors on pallet	80
Refr. charge - tech. limit	1300g / 45,9oz		
Free gas volume comp.	1460cm ³ / 49,4fl.oz		
Weight	13,2kg / 29,1lbs		
Motor protection	1# internal		
Winding resistance main	5,13Ω (at 25°C)		
Winding resistance aux	13,51Ω (at 25°C)		
Max. winding temp.	125°C / 257°F		
Max. discharge temp.	130°C / 266°F		



General - Configurations with SC10CLX

	Conf. 1	Conf. 2
Motorconfiguration	CSIR	CSIR
Power supply (nominal)	220-240V/50Hz	208-230V/60Hz
Number of phases	1	1
Voltage range	198-254V	198-254V
Approvals	CCC, UL, KC	CCC, UL, KC
Starting torque	HST	HST
Note	- / -	

Applications with SC10CLX

	Conf. 1	Conf. 2
Refrigerant	R404A	R404A
Application	LBP+MBP	LBP
System cooling	fan 3m/s	fan 3m/s
Hot gas defrost	OK	OK
Long interval pull down	OK	OK

Electrical data - Configurations with SC10CLX

	Conf. 1	Conf. 2
Starting device type	relay	relay
Run capacitor	- / -	- / -
Start capacitor	80μF	80μF
LRA (locked rotor amps / 4s)	16,2A	15,6A
RLA (rated load amps / 1s)	3,1A	2,8A
Cut in current	16,2A	15,6A
IP class	21	21

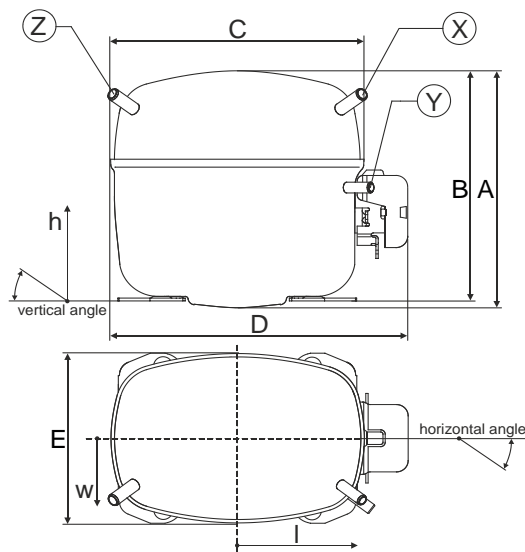
Model

Designation	SC10CLX	220-240V/50Hz 1~ 220-240V/60Hz 1~	Sales code:	104L2512
-------------	----------------	-----------------------------------	-------------	-----------------

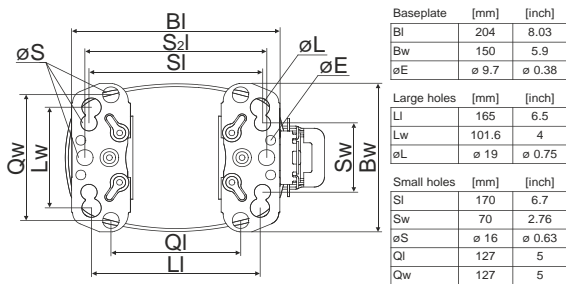
Compressor dimensions

Housing	A Height	209mm / 8,23in
	B Height	203mm / 7,99in
	C Length shell	218mm / 8,58in
	D Length w. cover	255mm / 10,04in
	E Width	151mm / 5,94in

Connectors	Suction	Discharge	Process	
	X	Y	Z	
Diameter [mm]	øi 9,54-9,72	øi 6,41-6,59	øi 6,41-6,59	
(i:inside, o:outside) [in]	øi 0,38-0,38	øi 0,25-0,26	øi 0,25-0,26	
Material	copper	copper	copper	
Horizontal angle ±2°	37°	37°	143°	
Vertical angle ±2°	30°	0°	150°	
Position l/h/w [mm]	107/183/55	115/100/63	-107/183/55	
[in]	4,2/7,2/2,2	4,5/3,9/2,5	-4,2/7,2/2,2	
Straight tube l.	[mm]	12	12	12
	[in]	0,5	0,5	0,5

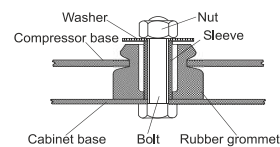


Compressor fixation

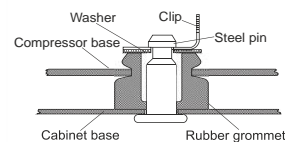


Baseplate	[mm]	[inch]
BI	204	8.03
Bw	150	5.9
øE	ø 9.7	ø 0.38
Large holes		
LI	165	6.5
Lw	101.6	4
øL	ø 19	ø 0.75
Small holes		
SI	170	6.7
Sw	70	2.76
øS	ø 16	ø 0.63
QI	127	5
Qw	127	5

Bolt joint



Snap-on



Mounting accessories

	one comp.	multi pack
Bolt joint M6 ø16mm	118-1917	118-1918
Bolt joint ø1/4" ø16mm	118-1946	
Bolt joint ø1/4" ø19mm	118-1949	
Snap-on ø7,3 ø16mm	118-1947	118-1919

Model

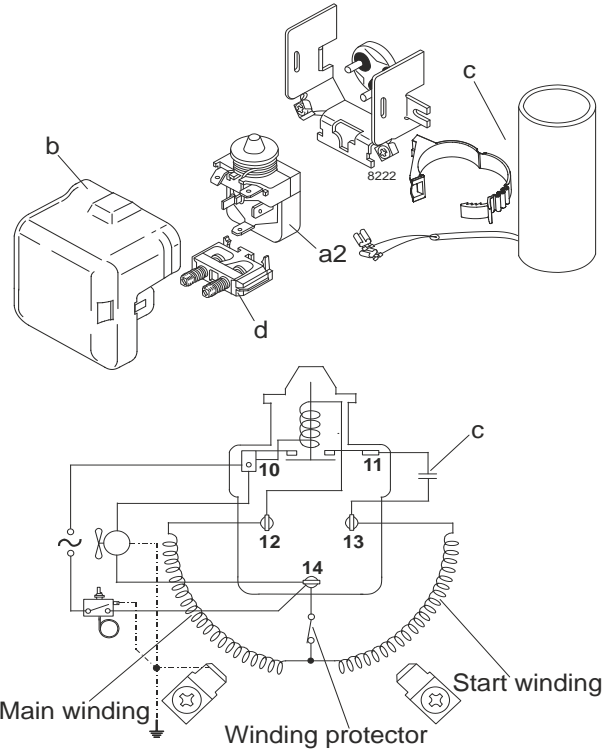
Designation	SC10CLX	220-240V/50Hz	Conf. 1	Sales code:	104L2512
-------------	----------------	----------------------	----------------	-------------	-----------------

Configuration

Motorconfiguration	CSIR
Power supply (nominal)	220-240V/50Hz 1~
Refrigerant	R404A
Application	LBP+MBP
Voltage range	198-254V
Starting torque	HST
Approvals	CCC UL KC

Electrical accessories / wiring diagram

CSIR

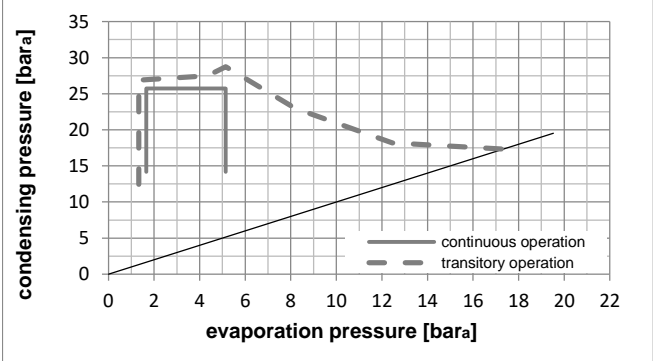
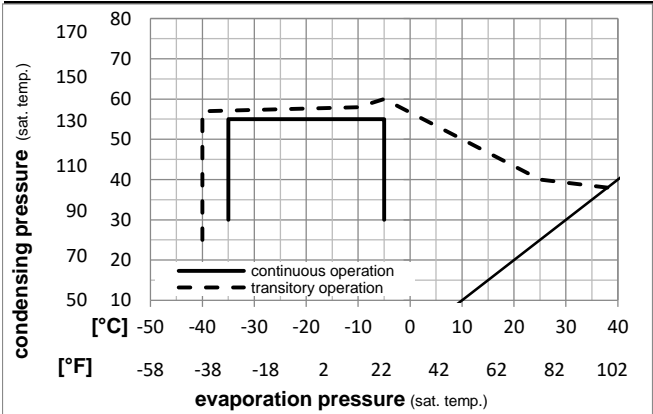


Ambient temperatures / system cooling

Ambient temperature min.:	10°C / 50°F
Ambient temperature max.:	38°C / 101°F

System cooling (n/a: outside limits)			
T ambient	LBP	MBP	HBP
32°C / 90°F	fan 3m/s	fan 3m/s	n/a
38°C / 100°F	fan 3m/s	fan 3m/s	n/a
43°C / 110°F	n/a	n/a	n/a

Operation pressure range



Components

a2	relay	117U6005
c	start capacitor (80µF)	117U5017
d	cord relief	103N1004
b	plastic cover	103N2008

Model

Designation **SC10CLX 220-240V/50Hz** Conf. 1 Sales code: **104L2512**

Optimization + standard conditions

R404A, 220V/50Hz, CSIR, fan 3m/s, CCC, UL, KC

Evaporating pressure (saturation temperature)														
Condensing pressure (saturation temperature)														
Return gas temp.														
Liquid temp.														
Cooling capacity														
COP														
EER														
Power consumption														
Current consumption														
Ref. mass flow														
	pe	pc	RGT	Tliq	[W]	[Btu/h]	[kcal/h]	[W/W]	[Btu/Wh]	[kcal/Wh]	P1	I	m	
[°C]	[°C]	[°C]	[°C]	[°C]							[W]	[A]	[kg/h]	
[°F]	-23,3	54,4	32,2	32,2	394,8	1348	339,8	1,11	3,79	0,95	355,9	2,39	9,20	ASHRAE LBP
[°F]	-10	130	90	90										
[°C]	-25	55	32	55	257,9	881	221,9	0,77	2,62	0,66	336,0	2,31	8,06	cecomaf LBP
[°F]	-13	131	89,6	131										
[°C]	-35	40	20	40	194,0	663	167,0	0,74	2,51	0,63	263,7	2,03	5,27	EN12900 LBP
[°F]	-31	104	68	104										
[°C]	-23,3	48,9	4,44	48,9	307,8	1051	264,9	0,84	2,88	0,73	365,2	2,39	10,90	ARI540 LBP
[°F]	-10	120	40	120										
[°C]	-23,3	40,6	32,2	32,2	491,1	1677	422,7	1,33	4,54	1,14	369,7	2,37	11,44	AHAM LBP
[°F]	-10	105	90	90										
[°C]	-35	45	32	45	165,8	566	142,7	0,64	2,20	0,55	257,7	2,00	4,43	opt
[°F]	-31	113	89,6	113										

Performance tables

R404A, 220V/50Hz, CSIR, fan 3m/s, CCC, UL, KC

	pe	Cooling capacity			COP	EER	P1	I	m			
		[°C]	[°F]	[W]						[Btu/h]	[kcal/h]	[W/W]
[°C / °F]	-35	-31		165,8	566	142,7	0,64	2,20	0,55	257,7	2,00	4,43
cond. pressure	-30	-22		254,9	871	219,4	0,84	2,88	0,73	302,1	2,15	6,84
pc= 45/113	-25	-13		360,0	1229	309,8	1,02	3,50	0,88	351,6	2,32	9,71
return gas temp.	-23,3	-10		399,6	1365	343,9	1,08	3,70	0,93	369,2	2,38	10,80
RGT= 32/90	-20	-4		482,8	1649	415,5	1,20	4,08	1,03	404,0	2,51	13,10
liquid temp	-15	5		625,3	2136	538,1	1,37	4,67	1,18	457,0	2,72	17,08
Tliq= 45/113	-5	23		977,0	3337	840,8	1,76	6,00	1,51	556,0	3,19	27,16
[°C / °F]	-35	-31		94,0	321	80,9	0,39	1,33	0,33	242,1	1,93	2,91
cond. pressure	-30	-22		169,4	578	145,8	0,60	2,03	0,51	284,6	2,11	5,26
pc= 55/131	-25	-13		257,9	881	221,9	0,77	2,62	0,66	336,0	2,31	8,06
return gas temp	-23,3	-10		291,3	995	250,7	0,82	2,80	0,71	355,1	2,39	9,12
RGT= 32/90	-20	-4		361,4	1234	311,0	0,92	3,13	0,79	394,0	2,53	11,37
liquid temp	-15	5		481,9	1646	414,7	1,06	3,61	0,91	456,3	2,77	15,28
Tliq= 55/131	-5	23		781,3	2668	672,4	1,34	4,56	1,15	584,9	3,31	25,29

Model

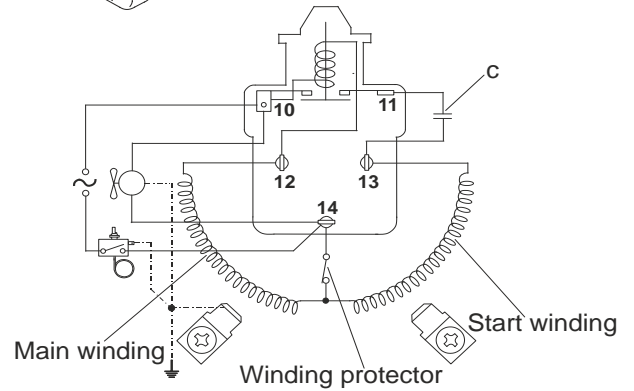
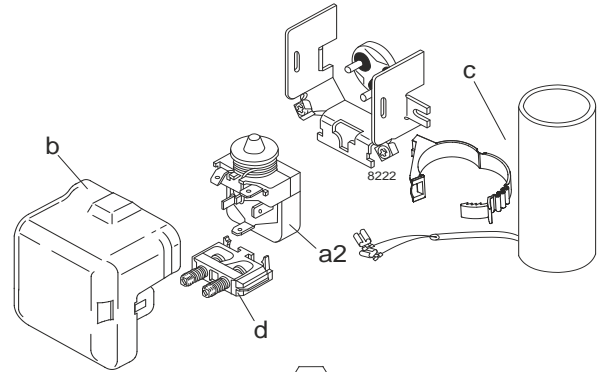
Designation	SC10CLX	208-230V/60Hz	Conf. 2	Sales code:	104L2512
-------------	----------------	----------------------	----------------	-------------	-----------------

Configuration

Motorconfiguration	CSIR
Power supply (nominal)	208-230V/60Hz 1~
Refrigerant	R404A
Application	LBP
Voltage range	198-254V
Starting torque	HST
Approvals	CCC UL KC

Electrical accessories / wiring diagram

CSIR

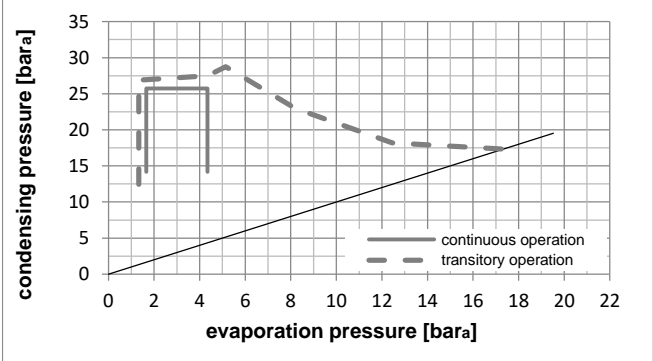
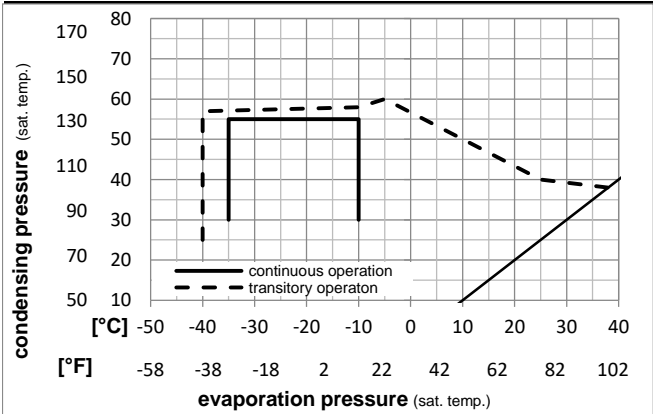


Ambient temperatures / system cooling

Ambient temperature min.:	10°C / 50°F
Ambient temperature max.:	38°C / 101°F

System cooling (n/a: outside limits)			
T ambient	LBP	MBP	HBP
32°C / 90°F	fan 3m/s	n/a	n/a
38°C / 100°F	fan 3m/s	n/a	n/a
43°C / 110°F	n/a	n/a	n/a

Operation pressure range



Components

a2	relay	117U6005
c	start capacitor (80µF)	117U5017
d	cord relief	103N1004
b	plastic cover	103N2008

Model

Designation **SC10CLX 208-230V/60Hz** Conf. 2 Sales code: **104L2512**

Optimization + standard conditions

R404A, 220V/60Hz, CSIR, fan 3m/s, CCC, UL, KC

		Evaporating pressure (saturation temperature)				Condensing pressure (saturation temperature)						Power consumption			
		Return gas temp.				Liquid temp.						Current consumption		Ref. mass flow	
		Cooling capacity				COP		EER		P1	I	m			
	pe	pc	RGT	Tliq	[W]	[Btu/h]	[kcal/h]	[W/W]	[Btu/Wh]	[kcal/Wh]	[W]	[A]	[kg/h]		
[°C]	-23	54,4	32,2	32,2	516,4	1764	444,4	1,16	3,95	0,99	446,9	2,63	12,03	ASHRAE LBP	
[°F]	-10	130	90	90											
[°C]	-25	55	32	55	340,5	1163	293,0	0,81	2,77	0,70	420,0	2,54	10,64	cecomaf LBP	
[°F]	-13	131	89,6	131											
[°C]	-35	40	20	40	262,4	896	225,8	0,81	2,76	0,69	324,9	2,25	7,13	EN12900 LBP	
[°F]	-31	104	68	104											
[°C]	-23	48,9	4,44	48,9	391,6	1337	337,0	0,87	2,98	0,75	449,2	2,63	13,86	ARI540 LBP	
[°F]	-10	120	40	120											
[°C]	-23	40,6	32,2	32,2	597,9	2042	514,6	1,34	4,58	1,15	445,8	2,61	13,93	AHAM LBP	
[°F]	-10	105	90	90											
[°C]	-35	45	32	45	223,9	765	192,7	0,74	2,52	0,63	303,9	2,19	5,99	opt	
[°F]	-31	113	89,6	113											

Performance tables

R404A, 220V/60Hz, CSIR, fan 3m/s, CCC, UL, KC

	pe	Cooling capacity			COP		EER		P1	I	m
	[°C]	[°F]	[W]	[Btu/h]	[kcal/h]	[W/W]	[Btu/Wh]	[kcal/Wh]	[W]	[A]	[kg/h]
[°C / °F]	-35	-31	223,9	765	192,7	0,74	2,52	0,63	303,9	2,19	5,99
cond. pressure	-30	-22	334,6	1143	287,9	0,90	3,09	0,78	369,8	2,36	8,98
pc= 45/113	-25	-13	455,0	1554	391,6	1,06	3,61	0,91	430,0	2,55	12,27
return gas temp.	-23	-10	498,7	1703	429,2	1,11	3,78	0,95	450,1	2,62	13,48
RGT= 32/90	-20	-4	588,3	2009	506,3	1,20	4,11	1,03	489,3	2,77	15,96
liquid temp	-15	5	737,5	2519	634,7	1,34	4,56	1,15	552,1	3,02	20,15
Tliq= 45/113	-10	14	905,7	3093	779,4	1,45	4,96	1,25	623,2	3,30	24,94
[°C / °F]	-35	-31	110,3	377	95,0	0,46	1,57	0,39	240,7	2,06	3,41
cond. pressure	-30	-22	222,8	761	191,8	0,66	2,27	0,57	335,3	2,28	6,93
pc= 55/131	-25	-13	340,5	1163	293,0	0,81	2,77	0,70	420,0	2,54	10,64
return gas temp	-23	-10	382,2	1305	328,9	0,85	2,92	0,74	447,3	2,63	11,97
RGT= 32/90	-20	-4	466,3	1593	401,3	0,93	3,19	0,80	499,4	2,82	14,67
liquid temp	-15	5	603,4	2061	519,3	1,04	3,56	0,90	578,2	3,13	19,14
Tliq= 55/131	-10	14	754,8	2578	649,6	1,14	3,90	0,98	661,0	3,47	24,16