

Model

Designation	SC10CLX	220-240V/50Hz 1~ 220-240V/60Hz 1~	Sales code:	104L2536
-------------	----------------	-----------------------------------	-------------	-----------------

Compressor design

Oil type	Polyolester	Refrigerant(s)	R404A
Oil viscosity	32cST	Displacement	10,29cm ³ / 0,63cu.in
Oil quantity	500cm ³ / 16,9fl.oz	Compressors on pallet	80
Refr. charge - tech. limit	1300g / 45,9oz		
Free gas volume comp.	1460cm ³ / 49,4fl.oz		
Weight	13,2kg / 29,1lbs		
Motor protection	1# internal		
Winding resistance main	5,13Ω (at 25°C)		
Winding resistance aux	13,51Ω (at 25°C)		
Max. winding temp.	125°C / 257°F		
Max. discharge temp.	130°C / 266°F		



General - Configurations with SC10CLX

	Conf. 1	Conf. 2
Motorconfiguration	CSIR	CSIR
Power supply (nominal)	208-230V/60Hz	220-240V/50Hz
Number of phases	1	1
Voltage range	198-254V	198-254V
Approvals	UL, CCC, KC	UL, CCC, KC
Starting torque	HST	HST
Note	- / -	

Applications with SC10CLX

	Conf. 1	Conf. 2
Refrigerant	R404A	R404A
Application	LBP	LBP+MBP
System cooling	fan 3m/s	fan 3m/s
Hot gas defrost	OK	OK
Long interval pull down	OK	OK

Electrical data - Configurations with SC10CLX

	Conf. 1	Conf. 2
Starting device type	relay	relay
Run capacitor	- / -	- / -
Start capacitor	80μF	80μF
LRA (locked rotor amps / 4s)	15,6A	16,2A
RLA (rated load amps / 1s)	2,8A	3,1A
Cut in current	15,6A	16,2A

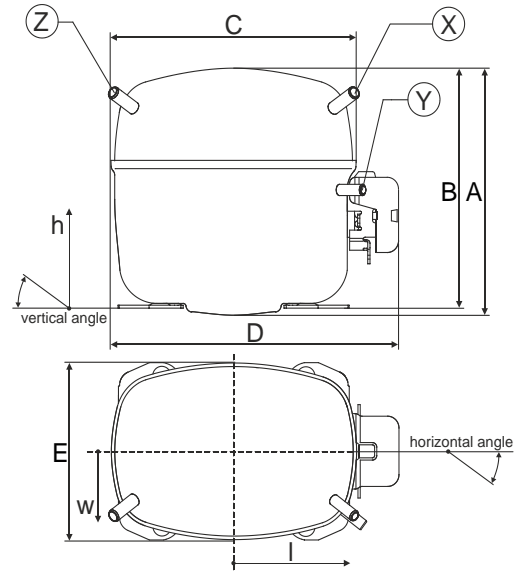
Model

Designation **SC10CLX** 220-240V/50Hz 1~ 220-240V/60Hz 1~ Sales code: **104L2536**

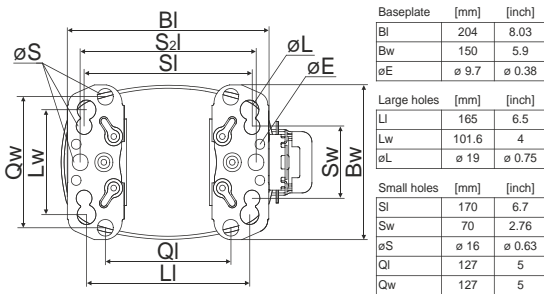
Compressor dimensions

Housing	A Height	209mm / 8,23in
	B Height	203mm / 7,99in
	C Length shell	218mm / 8,58in
	D Length w. cover	255mm / 10,04in
	E Width	151mm / 5,94in

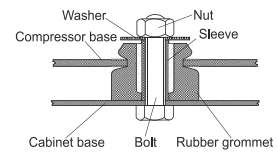
Connectors	Suction X	Discharge Y	Process Z
Diameter [mm]	øi 9,54-9,72	øi 6,41-6,59	øi 6,41-6,59
(i:inside, o:outside) [in]	øi 0,38-0,38	øi 0,25-0,26	øi 0,25-0,26
Material	copper	copper	copper
Horizontal angle ±2°	37°	37°	143°
Vertical angle ±2°	30°	0°	150°
Position l/h/w [mm]	107/183/55	115/100/63	-107/183/55
[in]	4,2/7,2/2,2	4,5/3,9/2,5	-4,2/7,2/2,2
Straight tube l. [mm]	12	12	12
[in]	0,5	0,5	0,5



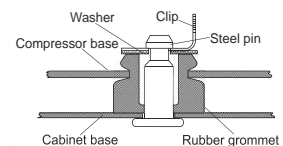
Compressor fixation



Bolt joint



Snap-on



Mounting accessories	one comp.	multi pack
Bolt joint M6 ø16mm	118-1917	118-1918
Bolt joint ø1/4" ø16mm	118-1946	
Bolt joint ø1/4" ø19mm	118-1949	
Snap-on ø7,3 ø16mm	118-1947	118-1919

Application notes

LRA value on compressor label and datasheet may differ due to different test conditions for UL approval.

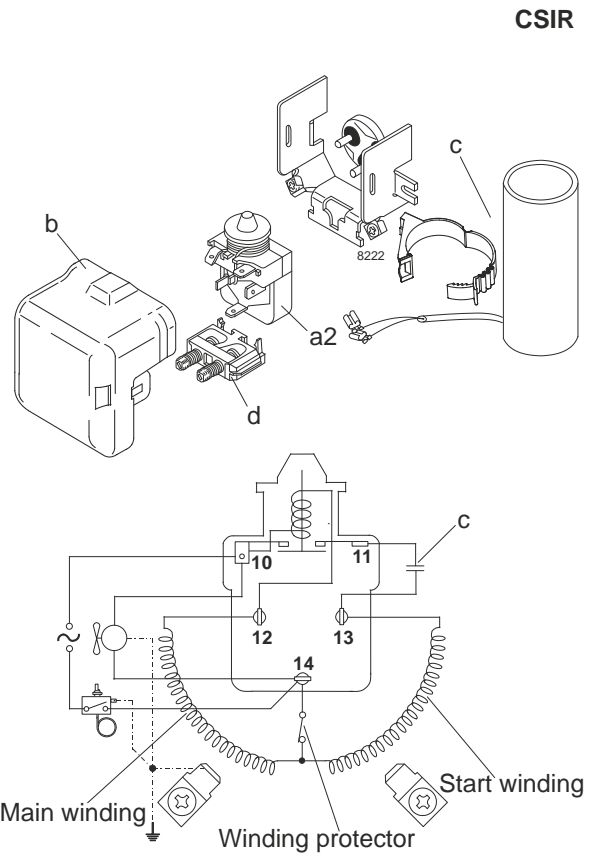
Model

Designation	SC10CLX	208-230V/60Hz	Conf. 1	Sales code:	104L2536
-------------	----------------	----------------------	----------------	-------------	-----------------

Configuration

Motorconfiguration	CSIR
Power supply (nominal)	208-230V/60Hz 1~
Refrigerant	R404A
Application	LBP
Voltage range	198-254V
Starting torque	HST
Approvals	UL CCC KC

Electrical accessories / wiring diagram

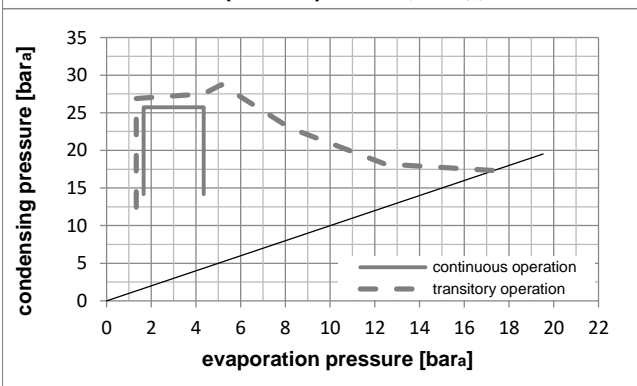
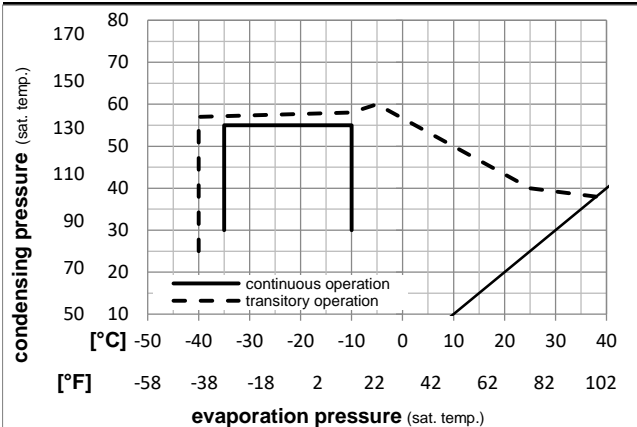


Ambient temperatures / system cooling

Ambient temperature min.:	10°C / 50°F
Ambient temperature max.:	38°C / 101°F

System cooling (n/a: outside limits)			
T ambient	LBP	MBP	HBP
32°C / 90°F	fan 3m/s	n/a	n/a
38°C / 100°F	fan 3m/s	n/a	n/a
43°C / 110°F	n/a	n/a	n/a

Operation pressure range



Components

a2	relay	117U6005
c	start capacitor (80µF)	117U5017
d	cord relief	103N1004
b	plastic cover	103N2008

Model

Designation **SC10CLX 208-230V/60Hz** Conf. 1 Sales code: **104L2536**

Optimization + standard conditions

R404A, 220V/60Hz, CSIR, fan 3m/s, UL, CCC, KC

Evaporating pressure (saturation temperature)		Condensing pressure (saturation temperature)				Return gas temp.		Liquid temp.		Cooling capacity			COP		EER		Power consumption		Current consumption		Ref. mass flow	
pe	pc	RGT	Tliq		[W]	[Btu/h]	[kcal/h]	[W/W]	[Btu/Wh]	[kcal/Wh]	[W]	[A]	[kg/h]			P1	I	m				
[°C]	[°C]	[°C]	[°C]	[°C]																		
-23,3	54,4	32,2	32,2		516,4	1764	444,4	1,16	3,95	0,99	446,9	2,63	12,03									ASHRAE LBP
-10	130	90	90																			
-25	55	32	55		340,5	1163	293,0	0,81	2,77	0,70	420,0	2,54	10,64									cecomaf LBP
-13	131	89,6	131																			
-35	40	20	40		262,4	896	225,8	0,81	2,76	0,69	324,9	2,25	7,13									EN12900 LBP
-31	104	68	104																			
-23,3	48,9	4,44	48,9		391,6	1337	337,0	0,87	2,98	0,75	449,2	2,63	13,86									ARI540 LBP
-10	120	40	120																			
-23,3	40,6	32,2	32,2		597,9	2042	514,6	1,34	4,58	1,15	445,8	2,61	13,93									AHAM LBP
-10	105	90	90																			
-35	45	32	45		223,9	765	192,7	0,74	2,52	0,63	303,9	2,19	5,99									opt
-31	113	89,6	113																			

Performance tables

R404A, 220V/60Hz, CSIR, fan 3m/s, UL, CCC, KC

[°C / °F]	pe	Cooling capacity			COP		EER		P1		I	m
	[°C]	[°F]	[W]	[Btu/h]	[kcal/h]	[W/W]	[Btu/Wh]	[kcal/Wh]	[W]	[A]	[kg/h]	
-35	-31	223,9	765	192,7	0,74	2,52	0,63	303,9	2,19	5,99		
cond. pressure	-28,9	-20	360,4	1231	310,1	0,94	3,21	0,81	383,5	2,40	9,68	
pc= 45/113	-26,1	-15	427,2	1459	367,7	1,02	3,50	0,88	416,9	2,51	11,51	
return gas temp.	-23,3	-10	497,9	1700	428,5	1,11	3,78	0,95	449,7	2,62	13,45	
RGT= 32/90	-20,6	-5	572,8	1956	492,9	1,19	4,05	1,02	482,6	2,75	15,53	
liquid temp	-15	5	737,5	2519	634,7	1,34	4,56	1,15	552,1	3,02	20,15	
Tliq= 45/113	-10	14	905,7	3093	779,4	1,45	4,96	1,25	623,2	3,30	24,94	
-35	-31	110,3	377	95,0	0,46	1,57	0,39	240,7	2,06	3,41		
cond. pressure	-28,9	-20	248,4	848	213,8	0,70	2,39	0,60	354,8	2,34	7,73	
pc= 55/131	-26,1	-15	313,7	1071	270,0	0,78	2,67	0,67	401,8	2,48	9,79	
return gas temp	-23,3	-10	381,4	1302	328,2	0,85	2,91	0,73	446,8	2,63	11,94	
RGT= 32/90	-20,6	-5	451,9	1543	388,9	0,92	3,14	0,79	490,7	2,79	14,21	
liquid temp	-15	5	603,4	2061	519,3	1,04	3,56	0,90	578,2	3,13	19,14	
Tliq= 55/131	-10	14	754,8	2578	649,6	1,14	3,90	0,98	661,0	3,47	24,16	

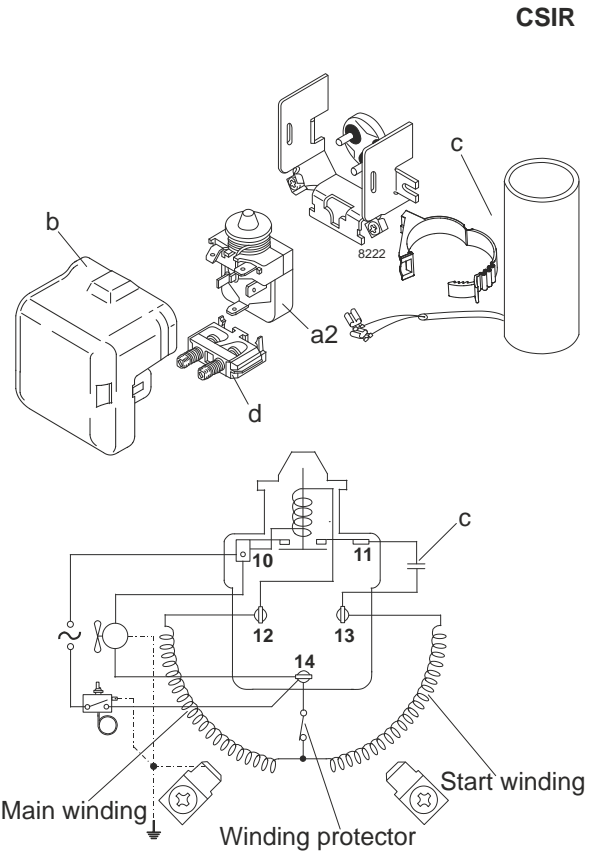
Model

Designation	SC10CLX	220-240V/50Hz	Conf. 2	Sales code:	104L2536
-------------	----------------	----------------------	----------------	-------------	-----------------

Configuration

Motorconfiguration	CSIR
Power supply (nominal)	220-240V/50Hz 1~
Refrigerant	R404A
Application	LBP+MBP
Voltage range	198-254V
Starting torque	HST
Approvals	UL CCC KC

Electrical accessories / wiring diagram

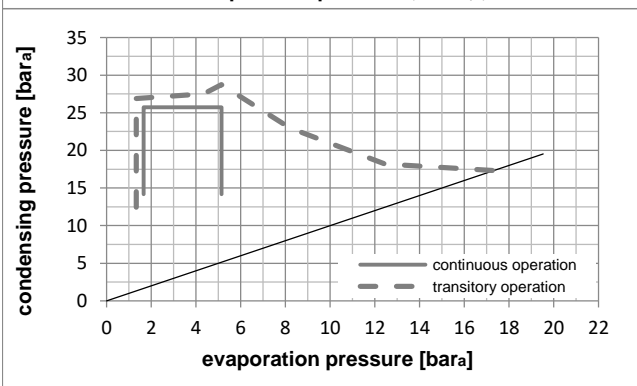
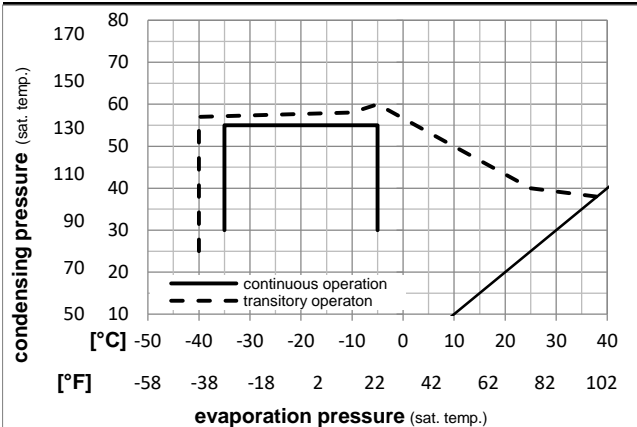


Ambient temperatures / system cooling

Ambient temperature min.:	10°C / 50°F
Ambient temperature max.:	38°C / 101°F

System cooling (n/a: outside limits)			
T ambient	LBP	MBP	HBP
32°C / 90°F	fan 3m/s	fan 3m/s	n/a
38°C / 100°F	fan 3m/s	fan 3m/s	n/a
43°C / 110°F	n/a	n/a	n/a

Operation pressure range



Components

a2	relay	117U6005
c	start capacitor (80µF)	117U5017
d	cord relief	103N1004
b	plastic cover	103N2008

Model

Designation **SC10CLX 220-240V/50Hz** Conf. 2 Sales code: **104L2536**

Optimization + standard conditions

R404A, 220V/50Hz, CSIR, fan 3m/s, UL, CCC, KC

Evaporating pressure (saturation temperature)		Condensing pressure (saturation temperature)				Cooling capacity						Power consumption			Ref. mass flow ṁ	
		Return gas temp.						COP		EER		P1	Current consumption			
		Liquid temp.				[W]	[Btu/h]	[kcal/h]	[W/W]	[Btu/Wh]	[kcal/Wh]	[W]	[A]	[kg/h]		
pe	pc	RGT	Tliq													
[°C]	-23	54,4	32,2	32,2	394,8	1348	339,8	1,11	3,79	0,95	355,9	2,39	9,20	ASHRAE LBP		
[°F]	-10	130	90	90												
[°C]	-25	55	32	55	257,9	881	221,9	0,77	2,62	0,66	336,0	2,31	8,06	cecomaf LBP		
[°F]	-13	131	89,6	131												
[°C]	-35	40	20	40	194,0	663	167,0	0,74	2,51	0,63	263,7	2,03	5,27	EN12900 LBP		
[°F]	-31	104	68	104												
[°C]	-23	48,9	4,44	48,9	307,8	1051	264,9	0,84	2,88	0,73	365,2	2,39	10,90	ARI540 LBP		
[°F]	-10	120	40	120												
[°C]	-23	40,6	32,2	32,2	491,1	1677	422,7	1,33	4,54	1,14	369,7	2,37	11,44	AHAM LBP		
[°F]	-10	105	90	90												
[°C]	-35	45	32	45	165,8	566	142,7	0,64	2,20	0,55	257,7	2,00	4,43	opt		
[°F]	-31	113	89,6	113												

Performance tables

R404A, 220V/50Hz, CSIR, fan 3m/s, UL, CCC, KC

	pe	Cooling capacity			COP	EER	P1	I	m		
	[°C]	[°F]	[W]	[Btu/h]	[kcal/h]	[W/W]	[Btu/Wh]	[kcal/Wh]	[W]	[A]	[kg/h]
[°C / °F]	-35	-31	165,8	566	142,7	0,64	2,20	0,55	257,7	2,00	4,43
cond. pressure	-29	-20	276,8	945	238,2	0,89	3,02	0,76	312,7	2,19	7,44
pc= 45/113	-26	-15	335,1	1145	288,4	0,98	3,36	0,85	340,3	2,28	9,03
return gas temp.	-23	-10	398,8	1362	343,2	1,08	3,69	0,93	368,8	2,38	10,78
RGT= 32/90	-21	-5	468,2	1599	402,9	1,18	4,02	1,01	398,1	2,49	12,69
liquid temp	-15	5	625,3	2136	538,1	1,37	4,67	1,18	457,0	2,72	17,08
Tliq= 45/113	-5	23	977,0	3337	840,8	1,76	6,00	1,51	556,0	3,19	27,16
[°C / °F]	-35	-31	94,0	321	80,9	0,39	1,33	0,33	242,1	1,93	2,91
cond. pressure	-29	-20	187,8	641	161,7	0,64	2,17	0,55	295,4	2,16	5,84
pc= 55/131	-26	-15	237,0	809	203,9	0,73	2,50	0,63	324,0	2,27	7,40
return gas temp	-23	-10	290,6	993	250,1	0,82	2,80	0,71	354,7	2,38	9,10
RGT= 32/90	-21	-5	349,1	1192	300,4	0,90	3,08	0,78	387,3	2,51	10,98
liquid temp	-15	5	481,9	1646	414,7	1,06	3,61	0,91	456,3	2,77	15,28
Tliq= 55/131	-5	23	781,3	2668	672,4	1,34	4,56	1,15	584,9	3,31	25,29