

## SC12CNX.2 LBP/MBP Compressor R290 115V 60Hz

### General

Code number	104H7270
Approvals	UL984, EN 60335-2-34, EAC
Compressors on pallet	80

### Application

Application	LBP/MBP			
	Hz	50	60	
Frequency	Hz	50	60	
Evaporating temperature	°F	-	-49 to 45	
Voltage range	V	-	95 - 135	
Max. condensing temperature continuous (short)	°F	-	131 (149)	
Max. winding temperature continuous (short)	°F	-	257 (275)	

### Cooling requirements

Frequency	Hz	50			60		
		LBP	MBP	HBP	LBP	MBP	HBP
90°F		-	-	-	F <sub>2</sub>	F <sub>2</sub>	-
100°F		-	-	-	F <sub>2</sub>	F <sub>2</sub>	-
110°F		-	-	-	F <sub>2</sub>	F <sub>2</sub>	-
Remarks on application:							

### Motor

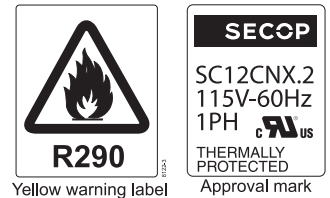
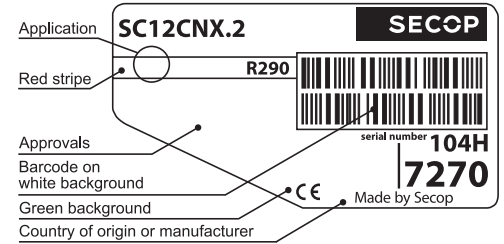
Motor type	CSIR		
LRA (rated after 4 sec. UL984), HST   LST	A	41.9	-
Cut in Current, HST   LST	A	41.9	-
Resistance, main   start winding (77°F)	Ω	1.0	4.3

### Design

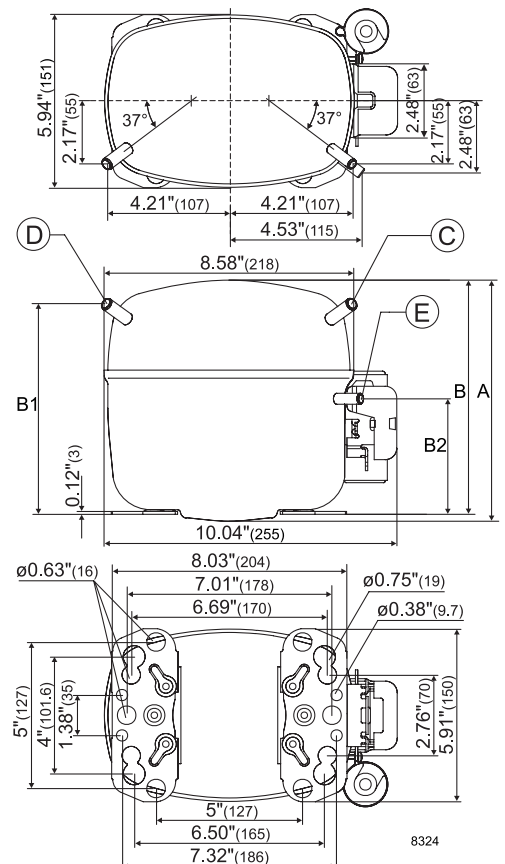
Displacement	cu.in	0.78
Oil quantity (type)	fl.oz.	18.6 (polyolester)
Maximum refrigerant charge	oz.	5.3
Free gas volume in compressor	fl.oz.	49.4
Weight without electrical equipment	lbs.	27.8

### Dimensions

Height	inch	A	8.23
		B	8.00
Suction connector	location, I.D. in.   angle	C	0.378-0.385   37°
		material   comment	Copper   Rubber plug
Process connector	location, I.D. in.   angle	D	0.252-0.259   37°
		material   comment	Copper   Rubber plug
Discharge connector	location, I.D. in.   angle	E	0.252-0.259   37°
		material   comment	Copper   Rubber plug
Oil cooler connector	location, I.D. in.   angle	F	-
		material   comment	-
Remarks:			



- S = Static cooling normally sufficient
- O = Oil cooling
- F<sub>1</sub> = Fan cooling 1.5 m/s (compressor compartment temperature equal to ambient temperature)
- F<sub>2</sub> = Fan cooling 3.0 m/s necessary
- SG = Suction gas cooling normally sufficient
- = not applicable in this area



**ASHRAE LBP**

115V, 60Hz, fan cooling F<sub>2</sub>

Evap. temp. in °F	-49	-40	-30	-20	-13	-10	0	10	14	20	30	40	41	45	50	59	68
Capacity in BTU/h	268	589	1005	1500	1899	2085	2776	3587	3949	4533	5627	6887	7022	7583			
Power cons. in W	179	259	339	411	456	475	533	586	606	635	682	726	731	748			
Current cons. in A	4.77	5.06	5.39	5.74	6.00	6.11	6.49	6.89	7.06	7.31	7.74	8.18	8.23	8.41			
EER in BTU/Wh	1.50	2.27	2.97	3.65	4.16	4.39	5.21	6.12	6.51	7.13	8.25	9.48	9.61	10.14			

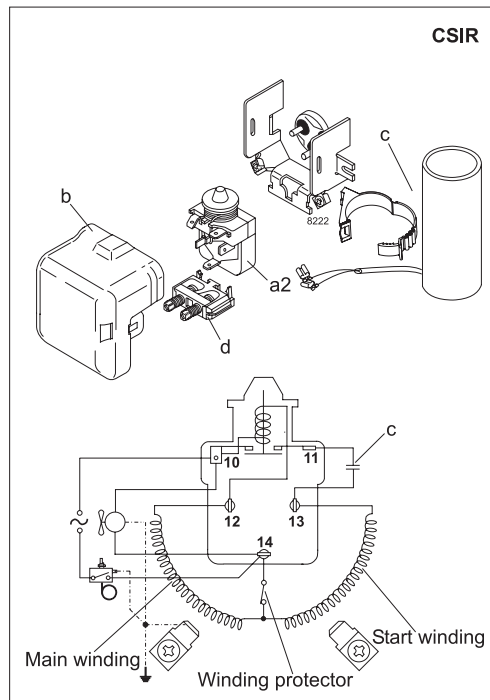
**ASHRAE HBP/MBP**

115V, 60Hz, fan cooling F<sub>2</sub>

Evap. temp. in °F	-49	-40	-30	-20	-13	-10	0	10	14	20	30	40	41	45	50	59	68
Capacity in BTU/h	239	524	895	1334	1689	1855	2468	3187	3506	4023	4990	6101	6220	6714			
Power cons. in W	179	259	339	411	456	475	533	586	606	635	682	726	731	748			
Current cons. in A	4.77	5.06	5.39	5.74	6.00	6.11	6.49	6.89	7.06	7.31	7.74	8.18	8.23	8.41			
EER in BTU/Wh	1.34	2.02	2.64	3.25	3.70	3.90	4.63	5.43	5.78	6.33	7.32	8.40	8.51	8.98			

**EN 12900 Household (CECOMAF)\*** 115V, 60Hz, fan cooling F<sub>2</sub>

Evap. temp. in °F	-49	-40	-30	-20	-13	-10	0	10	14	20	30	40	41	45	50	59	68
Capacity in W	131	212	320	448	552	600	780	990	1084	1235	1516	1838	1872	2015			
Power cons. in W	226	288	349	404	439	453	497	537	553	576	613	649	653	668			
Current cons. in A	4.99	5.20	5.45	5.72	5.91	6.00	6.30	6.61	6.74	6.94	7.28	7.64	7.68	7.83			
COP in W/W	0.58	0.74	0.91	1.11	1.26	1.33	1.57	1.84	1.96	2.14	2.47	2.83	2.87	3.02			



Accessories for	SC12CNX.2	Figure	Code number	Test conditions	ASHRAE LBP	ASHRAE HBP/MBP	EN 12900/CECOMAF*
PTC starting device	1/4 in. spade connect.	-	-	Condensing temp.	130°F	130°F	113°F
	3/16 in. spade connect.			Ambient temp.	90°F	90°F	90°F
Starting relay	1/4 in. spade connect.	a2	117U7020	Suction gas temp	90°F	95°F	90°F
Cover		b	103N2008	Liquid temperature	90°F	115°F	no subcooling
Start. capacitor 240 µF	1/4 in. spade connect.	c	117U5023	<b>Mounting accessories</b>			
Cord relief		d	103N1004	Bolt joint for one comp.		Ø: 5/8 in.	118-1917
Protection screen for PTC		-	-	Bolt joint in quantities		Ø: 5/8 in.	118-1918
				Snap-on in quantities		Ø: 5/8 in.	118-1919

Secop accepts no responsibility for possible errors in catalogs, brochures, and other printed material. Secop reserves the right to alter its products without notice. This also applies to products already on order provided that such alterations can be made without consequential changes being necessary to specifications already agreed. All trademarks in this material are the property of the respective companies. Secop and the Secop logotype are trademarks of Secop GmbH. All rights reserved. [www.secop.com](http://www.secop.com)