

SC12CNX.2 LBP/MBP Compressor R290 115V 60Hz

General

Code number (pre-assembled CSIR start equipment)	104H7271
Approvals	UL984
Compressors on pallet	80

Application

Application	LBP/MBP			
	Hz	50	60	
Frequency	Hz	50	60	
Evaporating temperature	°F	-	-49 to 45	
Voltage range	V	-	95 - 135	
Max. condensing temperature continuous (short)	°F	-	131 (149)	
Max. winding temperature continuous (short)	°F	-	257 (275)	

Cooling requirements

Frequency	Hz	50			60		
		LBP	MBP	HBP	LBP	MBP	HBP
90°F		-	-	-	F ₂	F ₂	-
100°F		-	-	-	F ₂	F ₂	-
110°F		-	-	-	F ₂	F ₂	-
Remarks on application:							

Motor

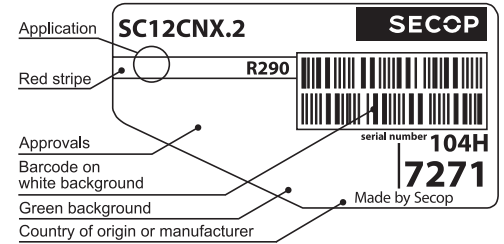
Motor type	CSIR		
LRA (rated after 4 sec. UL984), HST LST	A	41.9	-
Cut in Current, HST LST	A	41.9	-
Resistance, main start winding (77°F)	Ω	1.0	4.3

Design

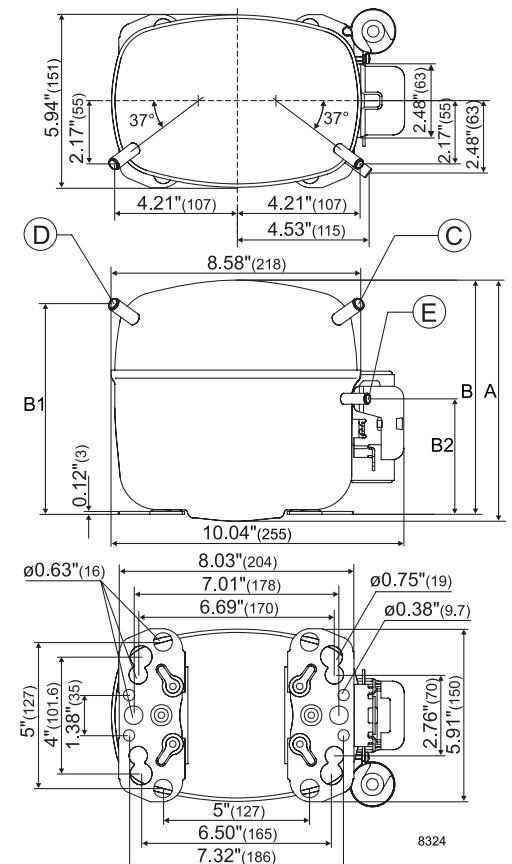
Displacement	cu.in	0.78
Oil quantity (type)	fl.oz.	19.4 (polyolester)
Maximum refrigerant charge	oz.	5.3
Free gas volume in compressor	fl.oz.	49.4
Weight without electrical equipment	lbs.	27.8

Dimensions

Height	inch	A	8.23
		B	8.00
Suction connector	location, I.D. in. angle	C	0.378-0.385 37°
		material comment	Copper Rubber plug
Process connector	location, I.D. in. angle	D	0.252-0.259 37°
		material comment	Copper Rubber plug
Discharge connector	location, I.D. in. angle	E	0.252-0.259 37°
		material comment	Copper Rubber plug
Oil cooler connector	location, I.D. in. angle	F	-
		material comment	-
Remarks:			



- S = Static cooling normally sufficient
- O = Oil cooling
- F₁ = Fan cooling 1.5 m/s (compressor compartment temperature equal to ambient temperature)
- F₂ = Fan cooling 3.0 m/s necessary
- SG = Suction gas cooling normally sufficient
- = not applicable in this area



ASHRAE LBP

115V, 60Hz, fan cooling F₂

Evap. temp. in °F	-49	-40	-30	-20	-13	-10	0	10	14	20	30	40	41	45	50	59	68
Capacity in BTU/h	268	589	1005	1500	1899	2085	2776	3587	3949	4533	5627	6887	7022	7583			
Power cons. in W	179	259	339	411	456	475	533	586	606	635	682	726	731	748			
Current cons. in A	4.77	5.06	5.39	5.74	6.00	6.11	6.49	6.89	7.06	7.31	7.74	8.18	8.23	8.41			
EER in BTU/Wh	1.50	2.27	2.97	3.65	4.16	4.39	5.21	6.12	6.51	7.13	8.25	9.48	9.61	10.14			

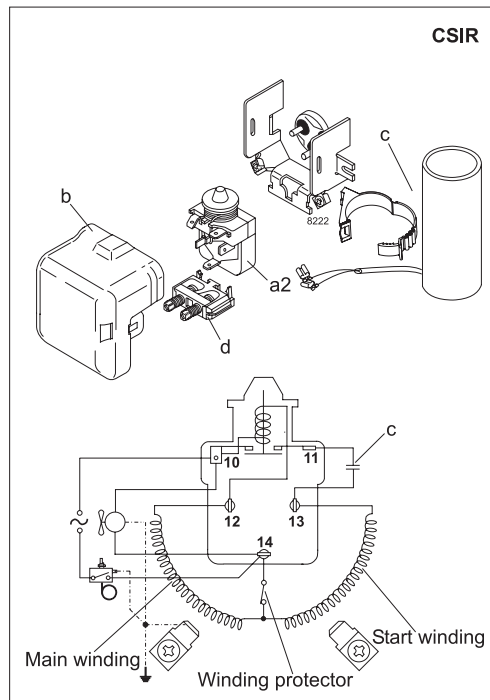
ASHRAE HBP/MBP

115V, 60Hz, fan cooling F₂

Evap. temp. in °F	-49	-40	-30	-20	-13	-10	0	10	14	20	30	40	41	45	50	59	68
Capacity in BTU/h	239	524	895	1334	1689	1855	2468	3187	3506	4023	4990	6101	6220	6714			
Power cons. in W	179	259	339	411	456	475	533	586	606	635	682	726	731	748			
Current cons. in A	4.77	5.06	5.39	5.74	6.00	6.11	6.49	6.89	7.06	7.31	7.74	8.18	8.23	8.41			
EER in BTU/Wh	1.34	2.02	2.64	3.25	3.70	3.90	4.63	5.43	5.78	6.33	7.32	8.40	8.51	8.98			

EN 12900 Household (CECOMAF)* 115V, 60Hz, fan cooling F₂

Evap. temp. in °F	-49	-40	-30	-20	-13	-10	0	10	14	20	30	40	41	45	50	59	68
Capacity in W	131	212	320	448	552	600	780	990	1084	1235	1516	1838	1872	2015			
Power cons. in W	226	288	349	404	439	453	497	537	553	576	613	649	653	668			
Current cons. in A	4.99	5.20	5.45	5.72	5.91	6.00	6.30	6.61	6.74	6.94	7.28	7.64	7.68	7.83			
COP in W/W	0.58	0.74	0.91	1.11	1.26	1.33	1.57	1.84	1.96	2.14	2.47	2.83	2.87	3.02			



Accessories for	SC12CNX.2	Figure	Code number	Test conditions	ASHRAE LBP	ASHRAE HBP/MBP	EN 12900/CECOMAF*
Starting relay	1/4 in. spade connect.	a2	117U7020	Condensing temp.	130°F	130°F	113°F
Cover		b	103N2008	Ambient temp.	90°F	90°F	90°F
Start. capacitor 240 µF	1/4 in. spade connect.	c	117U5023	Suction gas temp	90°F	95°F	90°F
Cord relief		d	103N1004	Liquid temperature	90°F	115°F	no subcooling

Mounting accessories		Code number
Bolt joint for one comp.	Ø: 5/8 in.	118-1917
Bolt joint in quantities	Ø: 5/8 in.	118-1918
Snap-on in quantities	Ø: 5/8 in.	118-1919

Nidec GA Compressors accepts no responsibility for possible errors in catalogs, brochures, and other printed material. Nidec GA Compressors reserves the right to alter its products without notice. This also applies to products already on order provided that such alterations can be made without consequential changes being necessary to specifications already agreed. All trademarks in this material are the property of the respective companies. Secop and the Secop logotype are trademarks of Nidec Global Appliance Germany GmbH. All rights reserved. www.secop.com