

Model

Designation	SC12MLX	220-240V/50Hz 1~ 208-230V/60Hz 1~	Sales code:	104L2606
-------------	----------------	-----------------------------------	-------------	-----------------

Compressor design

Oil type	Polyolester	Refrigerant(s)	R404A, R452A, R507
Oil viscosity	32cST	Displacement	12,87cm ³ / 0,79cu.in
Oil quantity	555cm ³ / 18,8fl.oz	Compressors on pallet	80
Refr. charge - tech. limit	1300g / 45,9oz		
Free gas volume comp.	1410cm ³ / 47,7fl.oz		
Weight	13kg / 28,7lbs		
Motor protection	1# internal		
Winding resistance main	3,4Ω (at 25°C)		
Winding resistance aux	14,4Ω (at 25°C)		
Max. winding temp.	125°C / 257°F		
Max. discharge temp.	130°C / 266°F		



General - Configurations with SC12MLX

	Conf. 1	Conf. 2	Conf. 3	Conf. 4	Conf. 5
Motorconfiguration	CSIR	CSIR	CSIR	CSIR	CSIR
Power supply (nominal)	220-240V/50Hz	208-230V/60Hz	220-240V/50Hz	220-240V/50Hz	220-240V/50Hz
Number of phases	1	1	1	1	1
Voltage range	187-254V	187-254V	187-254V	187-254V	187-254V
Approvals	VDE, UL, CCC, EAC, KC	VDE, UL, CCC, EAC, KC	VDE, UL, CCC		
Starting torque	HST	HST	HST	HST	HST
Note	- / -				

Applications with SC12MLX

	Conf. 1	Conf. 2	Conf. 3	Conf. 4	Conf. 5
Refrigerant	R404A	R404A	R452A	R448A	R449A
Application	MBP	MBP	MBP	MBP	MBP
System cooling	fan 3m/s	fan 3m/s	fan 3m/s	fan 3m/s	fan 3m/s
Hot gas defrost	OK	OK	OK	OK	OK
Long interval pull down	OK	OK	OK	OK	OK

Electrical data - Configurations with SC12MLX

	Conf. 1	Conf. 2	Conf. 3	Conf. 4	Conf. 5
Starting device type	relay	relay	relay	relay	relay
Run capacitor	- / -	- / -	- / -	- / -	- / -
Start capacitor	80μF	80μF	80μF	80μF	80μF
LRA (locked rotor amps / 4s)	23,4A	23,4A	23,4A	23,4A	23,4A
RLA (rated load amps / 1s)	4,3A	4,3A	4,3A	4,3A	4,3A
Cut in current	23,4A	23,4A	23,4A	23,4A	23,4A

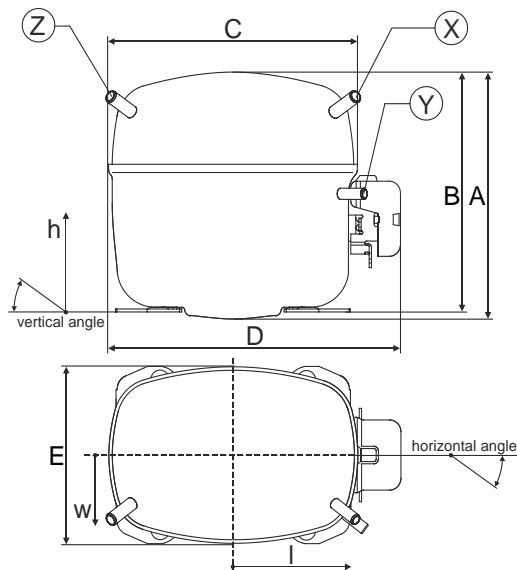
Model

Designation **SC12MLX** 220-240V/50Hz 1~ 208-230V/60Hz 1~ Sales code: **104L2606**

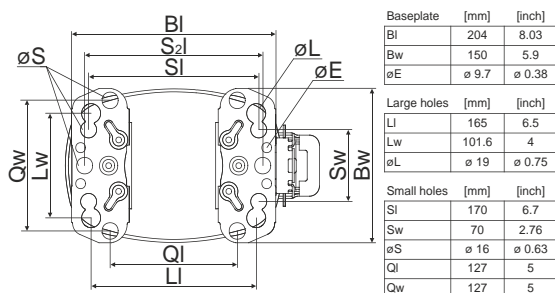
Compressor dimensions

Housing	A Height	219mm / 8,62in
	B Height	213mm / 8,39in
	C Length shell	218mm / 8,58in
	D Length w. cover	255mm / 10,04in
	E Width	151mm / 5,94in

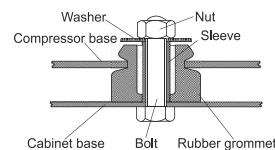
Connectors		Suction	Discharge	Process
		X	Y	Z
Diameter	[mm]	ø 8,11-8,29	ø 6,41-6,59	ø 6,41-6,59
	(i:inside, o:outside) [in]	ø i 0,32-0,33	ø i 0,25-0,26	ø i 0,25-0,26
Material		copper	copper	copper
Horizontal angle	±2°	37°	37°	143°
Vertical angle	±2°	30°	0°	150°
Position l/h/w	[mm]	107/193/55	115/110/63	-107/193/55
	[in]	4,2/7,6/2,2	4,5/4,3/2,5	-4,2/7,6/2,2
Straight tube l.	[mm]	12	12	12
	[in]	0,5	0,5	0,5



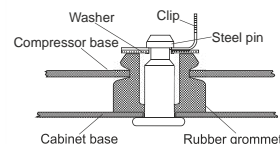
Compressor fixation



Bolt joint



Snap-on



Mounting accessories

	one comp.	multi pack
Bolt joint M6 ø16mm	118-1917	118-1918
Bolt joint ø1/4" ø16mm	118-1946	
Bolt joint ø1/4" ø19mm	118-1949	
Snap-on ø7,3 ø16mm	118-1947	118-1919

Application notes

LRA value on compressor label and datasheet may differ due to different test conditions for UL approval.

Model

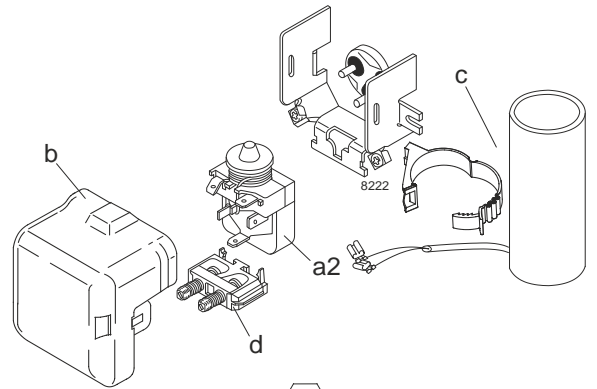
Designation	SC12MLX	220-240V/50Hz	Conf. 1	Sales code:	104L2606
-------------	----------------	----------------------	----------------	-------------	-----------------

Configuration

Motorconfiguration	CSIR
Power supply (nominal)	220-240V/50Hz 1~
Refrigerant	R404A
Application	MBP
Voltage range	187-254V
Starting torque	HST
Approvals	VDE UL CCC EAC KC

Electrical accessories / wiring diagram

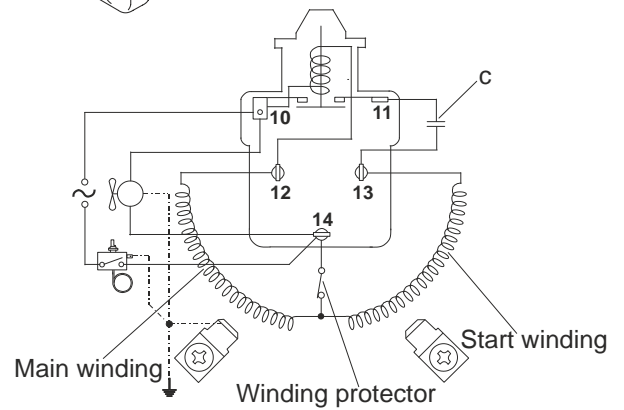
CSIR



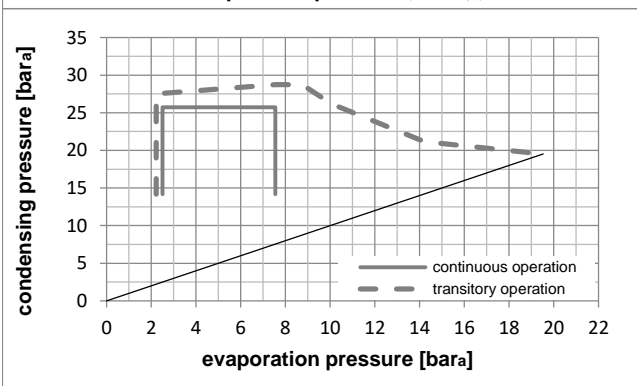
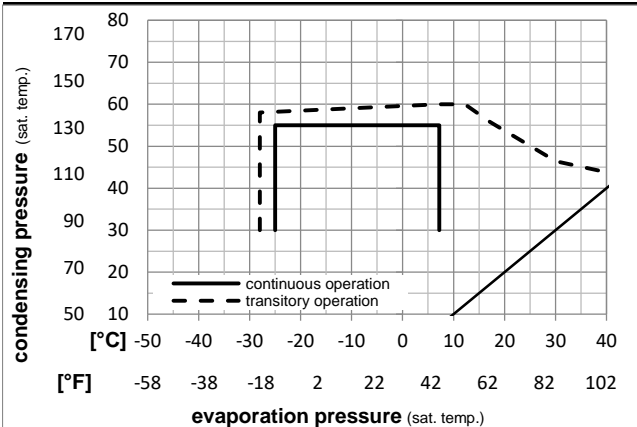
Ambient temperatures / system cooling

Ambient temperature min.:	10°C / 50°F
Ambient temperature max.:	43°C / 110°F

System cooling (n/a: outside limits)			
T ambient	LBP	MBP	HBP
32°C / 90°F	n/a	fan 3m/s	n/a
38°C / 100°F	n/a	fan 3m/s	n/a
43°C / 110°F	n/a	fan 3m/s	n/a



Operation pressure range



Components

a2	relay	117U6011
c	start capacitor (80μF)	117U5017
d	cord relief	103N1004
b	plastic cover	103N2008

Model

Designation **SC12MLX 220-240V/50Hz** Conf. 1 Sales code: **104L2606**

Optimization + standard conditions

R404A, 220V/50Hz, CSIR, fan 3m/s, VDE, UL, CCC, EAC, KC

		Evaporating pressure (saturation temperature)				Condensing pressure (saturation temperature)					Power consumption				
		Return gas temp.				Liquid temp.					Current consumption			Ref. mass flow	
		Cooling capacity				COP		EER		P1	I	m			
		pe	pc	RGT	Tliq	[W]	[Btu/h]	[kcal/h]	[W/W]	[Btu/Wh]	[kcal/Wh]	[W]	[A]	[kg/h]	
[°C]	-6,66	54,4	35	46,1	1097,6	3749	944,6	1,56	5,31	1,34	705,6	4,40	30,20	ASHRAE MBP	
[°F]	20	130	95	115											
[°C]	-10	55	32	55	815,0	2784	701,4	1,22	4,15	1,05	670,1	4,26	26,09	cecomaf MBP	
[°F]	14	131	89,6	131											
[°C]	-10	45	20	45	978,0	3340	841,7	1,58	5,39	1,36	619,6	4,08	29,46	EN12900 MBP	
[°F]	14	113	68	113											
[°C]	-6,66	48,9	18,3	48,9	1013,5	3461	872,2	1,51	5,14	1,30	673,3	4,28	33,12	ARI540 MBP	
[°F]	20	120	65	120											
[°C]	-10	45	32	45	1037,9	3545	893,2	1,68	5,72	1,44	619,6	4,08	28,58	opt	
[°F]	14	113	89,6	113											
[°C]	-25	45	32	45	527,1	1800	453,6	1,11	3,78	0,95	476,0	3,63	14,22	opt	
[°F]	-13	113	89,6	113											

Performance tables

R404A, 220V/50Hz, CSIR, fan 3m/s, VDE, UL, CCC, EAC, KC

	pe		Cooling capacity			COP		EER		P1	I	m
	[°C]	[°F]	[W]	[Btu/h]	[kcal/h]	[W/W]	[Btu/Wh]	[kcal/Wh]	[W]	[A]	[kg/h]	
[°C / °F]	-25	-13	527,1	1800	453,6	1,11	3,78	0,95	476,0	3,63	14,22	
cond. pressure	-20	-4	668,6	2283	575,4	1,27	4,35	1,10	524,7	3,76	18,14	
pc= 45/113	-15	5	837,9	2862	721,1	1,46	5,00	1,26	572,4	3,91	22,89	
return gas temp.	-10	14	1037,9	3545	893,2	1,68	5,72	1,44	619,6	4,08	28,58	
RGT= 32/90	-5	23	1271,6	4343	1094,4	1,91	6,51	1,64	666,6	4,27	35,35	
liquid temp	0	32	1541,9	5266	1327,0	2,16	7,38	1,86	713,9	4,47	43,35	
Tliq= 45/113	7,2	45	2001,3	6835	1722,3	2,55	8,73	2,20	783,3	4,79	57,39	
[°C / °F]	-25	-13	390,8	1335	336,3	0,80	2,75	0,69	485,7	3,66	12,21	
cond. pressure	-20	-4	511,5	1747	440,2	0,93	3,18	0,80	549,4	3,84	16,09	
pc= 55/131	-15	5	651,9	2226	561,0	1,07	3,65	0,92	610,7	4,04	20,67	
return gas temp	-10	14	815,0	2784	701,4	1,22	4,15	1,05	670,1	4,26	26,09	
RGT= 32/90	-5	23	1003,8	3428	863,9	1,38	4,71	1,19	727,9	4,49	32,49	
liquid temp	0	32	1221,2	4170	1050,9	1,56	5,32	1,34	784,6	4,74	40,05	
Tliq= 55/131	7,2	45	1590,2	5431	1368,6	1,84	6,28	1,58	865,1	5,13	53,37	

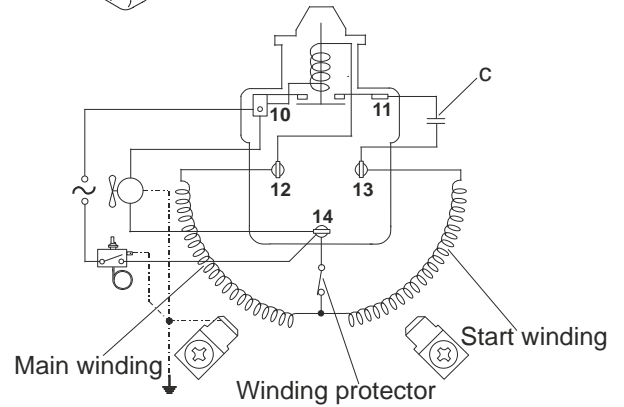
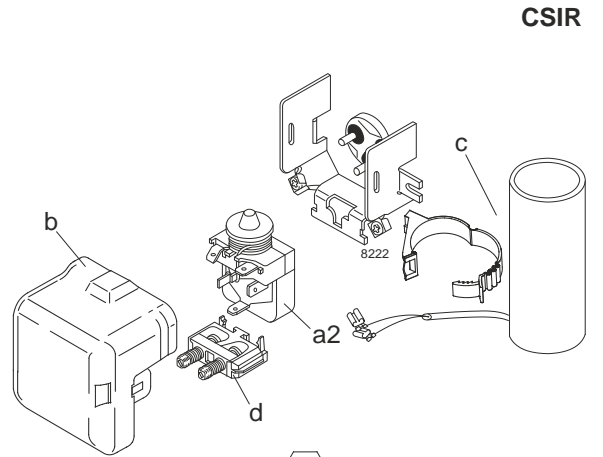
Model

Designation	SC12MLX	208-230V/60Hz	Conf. 2	Sales code:	104L2606
-------------	----------------	----------------------	----------------	-------------	-----------------

Configuration

Motorconfiguration	CSIR
Power supply (nominal)	208-230V/60Hz 1~
Refrigerant	R404A
Application	MBP
Voltage range	187-254V
Starting torque	HST
Approvals	VDE UL CCC EAC KC

Electrical accessories / wiring diagram

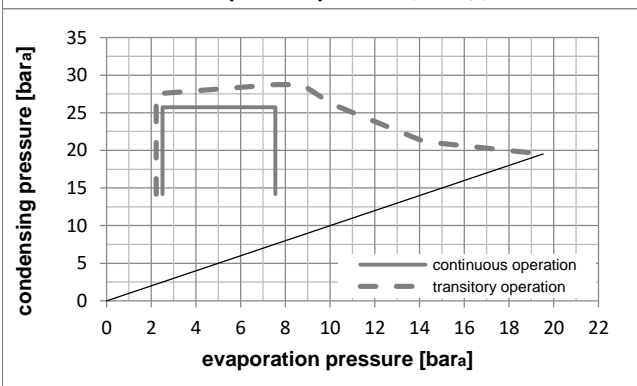
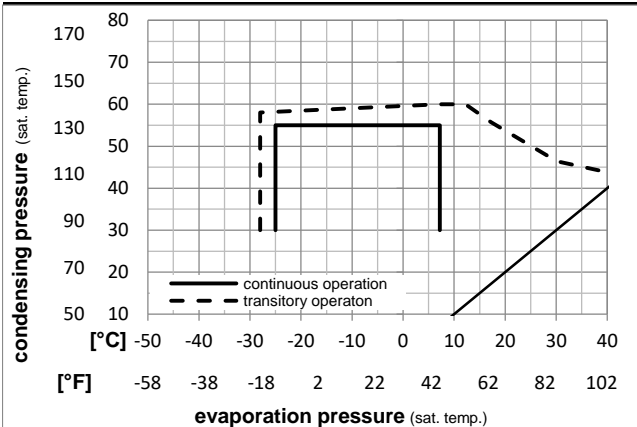


Ambient temperatures / system cooling

Ambient temperature min.:	10°C / 50°F
Ambient temperature max.:	43°C / 110°F

System cooling (n/a: outside limits)			
T ambient	LBP	MBP	HBP
32°C / 90°F	n/a	fan 3m/s	n/a
38°C / 100°F	n/a	fan 3m/s	n/a
43°C / 110°F	n/a	fan 3m/s	n/a

Operation pressure range



Components

a2	relay	117U6011
c	start capacitor (80μF)	117U5017
d	cord relief	103N1004
b	plastic cover	103N2008

Model

Designation **SC12MLX 208-230V/60Hz** Conf. 2 Sales code: **104L2606**

Optimization + standard conditions

R404A, 220V/60Hz, CSIR, fan 3m/s, VDE, UL, CCC, EAC, KC

Evaporating pressure (saturation temperature)					Condensing pressure (saturation temperature)						Power consumption			ASHRAE MBP	
					Return gas temp.			Liquid temp.			Current consumption				Ref. mass flow ṁ
					Cooling capacity			COP	EER	P1	I				
pe	pc	RGT	Tliq		[W]	[Btu/h]	[kcal/h]	[W/W]	[Btu/Wh]	[kcal/Wh]	[W]	[A]	[kg/h]		
[°C]	-6,7	54,4	35	46,1	1261,1	4307	1085,3	1,52	5,18	1,31	831,3	4,47	34,70		
[°F]	20	130	95	115											
[°C]	-10	55	32	55	934,4	3191	804,1	1,20	4,10	1,03	777,8	4,23	29,91	cecomaf MBP	
[°F]	14	131	89,6	131											
[°C]	-10	45	20	45	1130,1	3859	972,6	1,55	5,29	1,33	729,5	4,05	34,04	EN12900 MBP	
[°F]	14	113	68	113											
[°C]	-6,7	48,9	18,3	48,9	1165,3	3980	1002,8	1,46	4,98	1,26	798,8	4,34	38,08	ARI540 MBP	
[°F]	20	120	65	120											
[°C]	-10	45	32	45	1199,3	4096	1032,2	1,64	5,62	1,41	729,5	4,05	33,03	opt	
[°F]	14	113	89,6	113											
[°C]	-25	45	32	45	604,9	2066	520,6	1,12	3,83	0,97	539,3	3,31	16,32	opt	
[°F]	-13	113	89,6	113											

Performance tables

R404A, 220V/60Hz, CSIR, fan 3m/s, VDE, UL, CCC, EAC, KC

	pe	Cooling capacity			COP	EER	P1	I	m		
	[°C]	[°F]	[W]	[Btu/h]	[kcal/h]	[W/W]	[Btu/Wh]	[kcal/Wh]	[W]	[A]	[kg/h]
[°C / °F]	-25	-13	604,9	2066	520,6	1,12	3,83	0,97	539,3	3,31	16,32
cond. pressure	-20	-4	773,0	2640	665,3	1,29	4,39	1,11	601,5	3,52	20,97
pc= 45/113	-15	5	970,0	3313	834,8	1,46	4,99	1,26	663,9	3,76	26,50
return gas temp.	-10	14	1199,3	4096	1032,2	1,64	5,62	1,41	729,5	4,05	33,03
RGT= 32/90	-5	23	1464,7	5002	1260,6	1,83	6,24	1,57	801,2	4,37	40,72
liquid temp	0	32	1769,7	6044	1523,1	2,01	6,85	1,73	882,1	4,73	49,75
Tliq= 45/113	7,2	45	2285,8	7807	1967,2	2,24	7,65	1,93	1020,6	5,32	65,55
[°C / °F]	-25	-13	429,8	1468	369,9	0,83	2,83	0,71	518,9	3,31	13,43
cond. pressure	-20	-4	575,6	1966	495,4	0,95	3,23	0,81	608,5	3,58	18,11
pc= 55/131	-15	5	742,6	2536	639,1	1,07	3,66	0,92	693,8	3,88	23,55
return gas temp	-10	14	934,4	3191	804,1	1,20	4,10	1,03	777,8	4,23	29,91
RGT= 32/90	-5	23	1154,5	3943	993,6	1,34	4,57	1,15	863,3	4,61	37,37
liquid temp	0	32	1406,6	4804	1210,6	1,48	5,04	1,27	953,5	5,03	46,13
Tliq= 55/131	7,2	45	1833,2	6261	1577,6	1,67	5,70	1,44	1097,4	5,71	61,52

Model

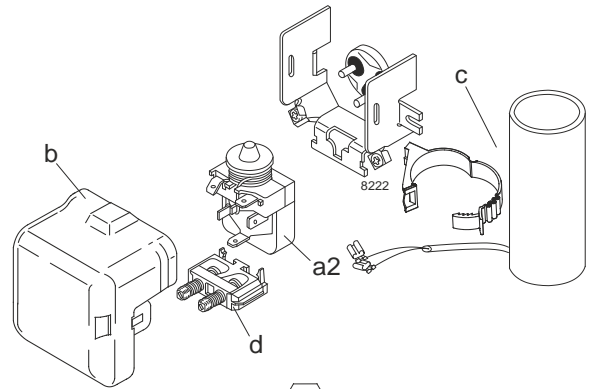
Designation	SC12MLX	220-240V/50Hz	Conf. 3	Sales code:	104L2606
-------------	----------------	----------------------	----------------	-------------	-----------------

Configuration

Motorconfiguration	CSIR
Power supply (nominal)	220-240V/50Hz 1~
Refrigerant	R452A
Application	MBP
Voltage range	187-254V
Starting torque	HST
Approvals	VDE UL CCC

Electrical accessories / wiring diagram

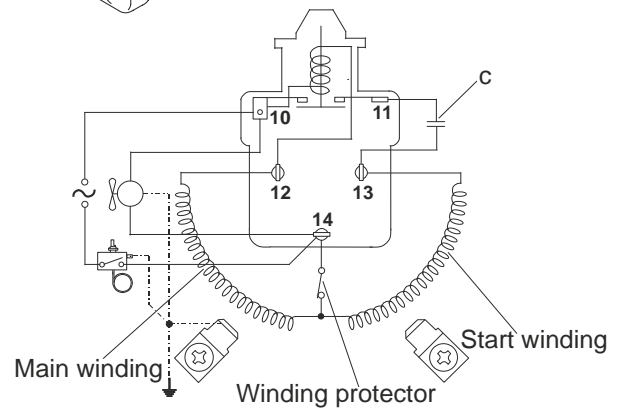
CSIR



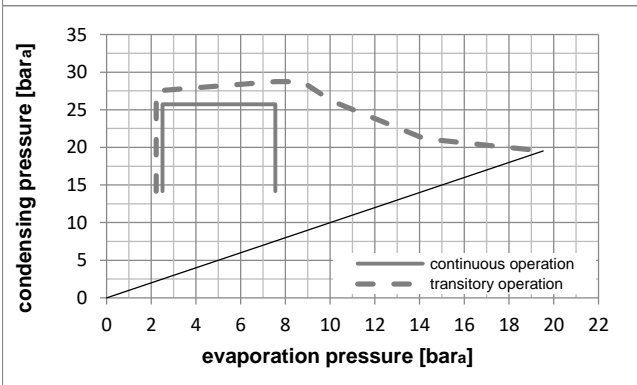
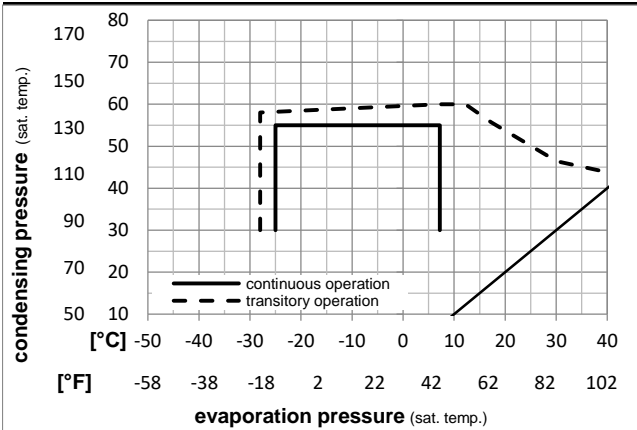
Ambient temperatures / system cooling

Ambient temperature min.:	10°C / 50°F
Ambient temperature max.:	43°C / 110°F

System cooling (n/a: outside limits)			
T ambient	LBP	MBP	HBP
32°C / 90°F	n/a	fan 3m/s	n/a
38°C / 100°F	n/a	fan 3m/s	n/a
43°C / 110°F	n/a	fan 3m/s	n/a



Operation pressure range



Components

a2	relay	117U6011
c	start capacitor (80μF)	117U5017
d	cord relief	103N1004
b	plastic cover	103N2008

Model

Designation **SC12MLX 220-240V/50Hz** Conf. 3 Sales code: **104L2606**

Optimization + standard conditions

R452A, 220V/50Hz, CSIR, fan 3m/s, VDE, UL, CCC

		Evaporating pressure (saturation temperature)				Condensing pressure (saturation temperature)					Power consumption				
											Current consumption				
		Return gas temp.				Liquid temp.					Ref. mass flow				
		Cooling capacity				COP		EER			P1	I	m		
	pe	pc	RGT	Tliq	[W]	[Btu/h]	[kcal/h]	[W/W]	[Btu/Wh]	[kcal/Wh]	[W]	[A]	[kg/h]		
[°C]	-6,66	54,4	35	46,1	1036,0	3538	891,6	1,53	5,23	1,32	676,2	4,30	29,14	ASHRAE MBP	
[°F]	20	130	95	115											
[°C]	-10	55	32	55	770,7	2632	663,3	1,21	4,12	1,04	639,5	4,19	25,05	cecomaf MBP	
[°F]	14	131	89,6	131											
[°C]	-10	45	20	45	921,8	3148	793,3	1,56	5,32	1,34	591,9	4,04	28,33	EN12900 MBP	
[°F]	14	113	68	113											
[°C]	-6,66	48,9	18,3	48,9	961,6	3284	827,6	1,49	5,09	1,28	645,5	4,20	31,90	ARI540 MBP	
[°F]	20	120	65	120											
[°C]	-10	45	32	45	976,8	3336	840,7	1,65	5,64	1,42	591,9	4,04	27,52	opt	
[°F]	14	113	89,6	113											
[°C]	-25	45	32	45	484,7	1655	417,1	1,08	3,71	0,93	446,7	3,59	13,41	opt	
[°F]	-13	113	89,6	113											

Performance tables

R452A, 220V/50Hz, CSIR, fan 3m/s, VDE, UL, CCC

	pe	Cooling capacity			COP		EER		P1	I	m
	[°C]	[°F]	[W]	[Btu/h]	[kcal/h]	[W/W]	[Btu/Wh]	[kcal/Wh]	[W]	[A]	[kg/h]
[°C / °F]	-25	-13	484,7	1655	417,1	1,08	3,71	0,93	446,7	3,59	13,41
cond. pressure	-20	-4	620,3	2119	533,9	1,25	4,28	1,08	495,5	3,74	17,25
pc= 45/113	-15	5	783,4	2675	674,2	1,44	4,92	1,24	543,8	3,89	21,91
return gas temp.	-10	14	976,8	3336	840,7	1,65	5,64	1,42	591,9	4,04	27,52
RGT= 32/90	-5	23	1203,8	4111	1036,0	1,88	6,42	1,62	640,2	4,19	34,21
liquid temp	0	32	1467,4	5012	1262,9	2,13	7,27	1,83	689,1	4,34	42,12
Tliq= 45/113	7,2	45	1917,5	6549	1650,2	2,52	8,60	2,17	761,1	4,56	56,02
[°C / °F]	-25	-13	359,7	1228	309,6	0,79	2,71	0,68	454,1	3,61	11,45
cond. pressure	-20	-4	475,7	1625	409,4	0,92	3,14	0,79	517,5	3,81	15,23
pc= 55/131	-15	5	611,7	2089	526,5	1,06	3,61	0,91	579,2	4,00	19,72
return gas temp	-10	14	770,7	2632	663,3	1,21	4,12	1,04	639,5	4,19	25,05
RGT= 32/90	-5	23	955,7	3264	822,5	1,37	4,67	1,18	698,8	4,37	31,37
liquid temp	0	32	1169,9	3995	1006,8	1,54	5,28	1,33	757,4	4,55	38,84
Tliq= 55/131	7,2	45	1535,6	5244	1321,6	1,83	6,23	1,57	841,2	4,81	52,05

Model

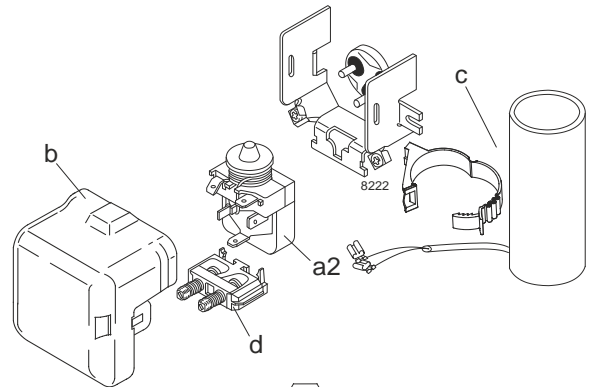
Designation	SC12MLX	220-240V/50Hz	Conf. 4	Sales code:	104L2606
-------------	----------------	----------------------	----------------	-------------	-----------------

Configuration

Motorconfiguration	CSIR
Power supply (nominal)	220-240V/50Hz 1~
Refrigerant	R448A
Application	MBP
Voltage range	187-254V
Starting torque	HST
Approvals	

Electrical accessories / wiring diagram

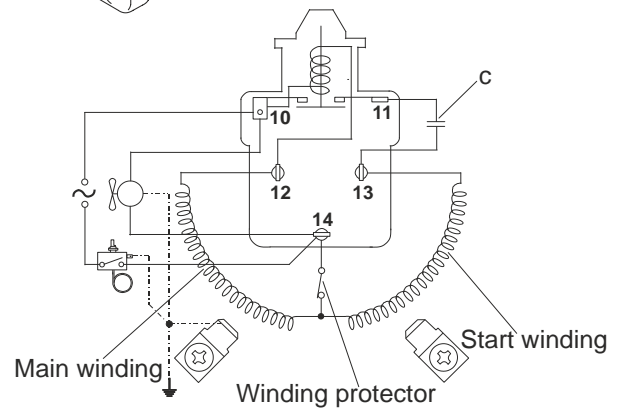
CSIR



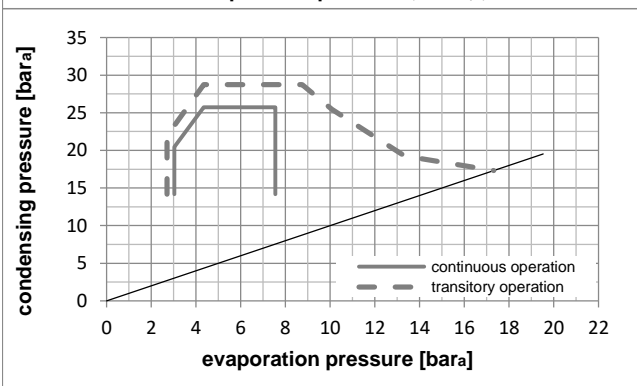
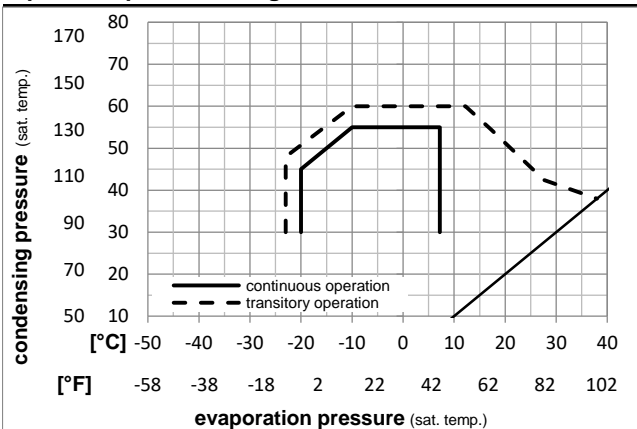
Ambient temperatures / system cooling

Ambient temperature min.:	10°C / 50°F
Ambient temperature max.:	38°C / 101°F

System cooling (n/a: outside limits)			
T ambient	LBP	MBP	HBP
32°C / 90°F	n/a	fan 3m/s	n/a
38°C / 100°F	n/a	fan 3m/s	n/a
43°C / 110°F	n/a	n/a	n/a



Operation pressure range



Components

a2	relay	117U6011
c	start capacitor (80μF)	117U5017
d	cord relief	103N1004
b	plastic cover	103N2008

Model

Designation **SC12MLX 220-240V/50Hz** Conf. 4 Sales code: **104L2606**

Optimization + standard conditions

R448A, 220V/50Hz, CSIR, fan 3m/s,

Evaporating pressure (saturation temperature)		Condensing pressure (saturation temperature)				Return gas temp.		Liquid temp.		Cooling capacity		COP	EER	P1	I	Ref. mass flow	
pe	pc	RGT	Tliq		[W]	[Btu/h]	[kcal/h]	[W/W]	[Btu/Wh]	[kcal/Wh]	[W]	[A]	[kg/h]				
[°C]	-6,66	54,4	35	46,1	1000,1	3416	860,7	1,55	5,30	1,33	644,8	4,23	21,85	ASHRAE			
[°F]	20	130	95	115										MBP			
[°C]	-10	55	32	55	763,5	2608	657,1	1,26	4,29	1,08	608,1	4,09	18,70	cecomaf			
[°F]	14	131	89,6	131										MBP			
[°C]	-10	45	20	45	902,8	3083	776,9	1,61	5,49	1,38	561,6	3,93	21,12	EN12900			
[°F]	14	113	68	113										MBP			
[°C]	-6,66	48,9	18,3	48,9	960,3	3280	826,4	1,56	5,33	1,34	614,8	4,12	23,88	ARI540			
[°F]	20	120	65	120										MBP			
[°C]	-10	45	32	45	939,4	3208	808,5	1,67	5,71	1,44	561,6	3,93	20,53	opt			
[°F]	14	113	89,6	113													
[°C]	-25	45	32	45	455,4	1555	392,0	1,09	3,73	0,94	416,7	3,41	9,79	opt			
[°F]	-13	113	89,6	113													

Performance tables

R448A, 220V/50Hz, CSIR, fan 3m/s,

	pe	Cooling capacity			COP	EER	P1	I	m		
	[°C]	[°F]	[W]	[Btu/h]	[kcal/h]	[W/W]	[Btu/Wh]	[kcal/Wh]	[W]	[A]	[kg/h]
[°C / °F]	-20	-4	587,7	2007	505,8	1,26	4,31	1,09	465,2	3,58	12,69
cond. pressure	-15	5	747,9	2554	643,6	1,46	4,98	1,25	513,4	3,75	16,24
pc= 45/113	-10	14	939,4	3208	808,5	1,67	5,71	1,44	561,6	3,93	20,53
return gas temp.	-6,7	20	1084,7	3704	933,5	1,83	6,24	1,57	593,6	4,04	23,81
RGT= 32/90	-5	23	1165,8	3981	1003,3	1,91	6,52	1,64	610,2	4,10	25,66
liquid temp	0	32	1430,5	4885	1231,1	2,17	7,41	1,87	659,6	4,28	31,77
Tliq= 45/113	7,2	45	1885,9	6441	1623,1	2,57	8,79	2,22	732,6	4,54	42,54
[°C / °F]	-20	-4	463,9	1584	399,2	0,95	3,25	0,82	487,1	3,66	11,21
cond. pressure	-15	5	601,3	2054	517,5	1,10	3,75	0,94	548,1	3,88	14,62
pc= 55/131	-10	14	763,5	2608	657,1	1,26	4,29	1,08	608,1	4,09	18,70
return gas temp	-6,7	20	885,8	3025	762,3	1,37	4,67	1,18	647,3	4,24	21,81
RGT= 32/90	-5	23	953,9	3258	820,9	1,43	4,88	1,23	667,5	4,31	23,56
liquid temp	0	32	1176,0	4016	1012,0	1,62	5,53	1,39	726,4	4,52	29,33
Tliq= 55/131	7,2	45	1558,3	5322	1341,1	1,92	6,56	1,65	811,3	4,83	39,55

Model

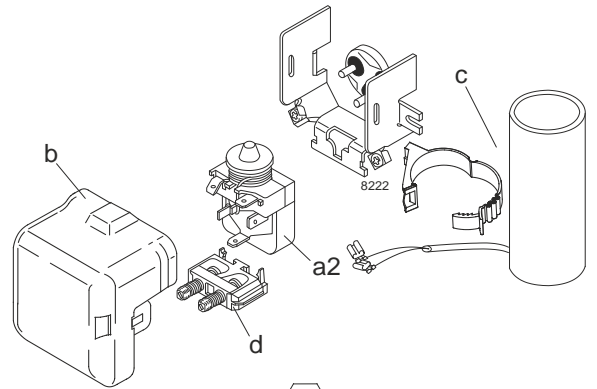
Designation	SC12MLX	220-240V/50Hz	Conf. 5	Sales code:	104L2606
-------------	----------------	----------------------	----------------	-------------	-----------------

Configuration

Motorconfiguration	CSIR
Power supply (nominal)	220-240V/50Hz 1~
Refrigerant	R449A
Application	MBP
Voltage range	187-254V
Starting torque	HST
Approvals	

Electrical accessories / wiring diagram

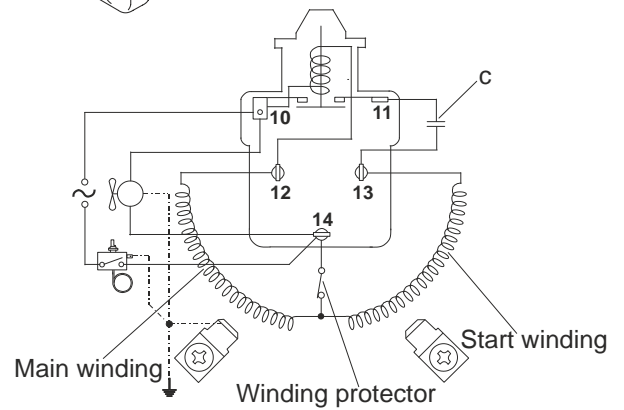
CSIR



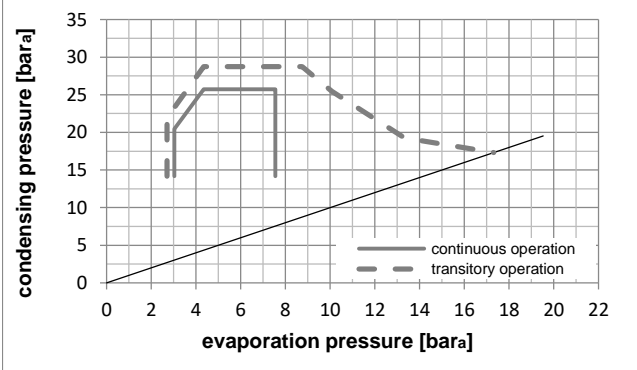
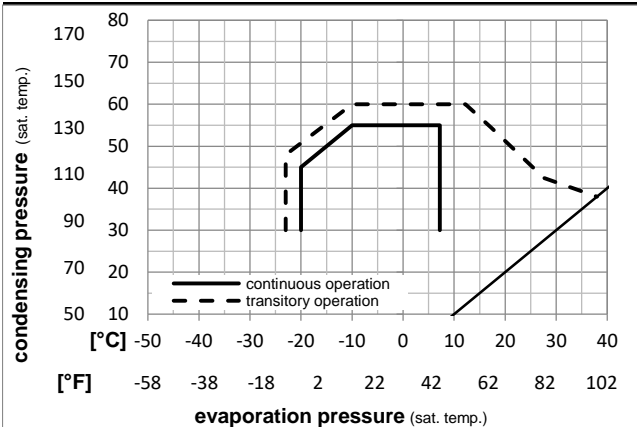
Ambient temperatures / system cooling

Ambient temperature min.:	10°C / 50°F
Ambient temperature max.:	38°C / 101°F

System cooling (n/a: outside limits)			
T ambient	LBP	MBP	HBP
32°C / 90°F	n/a	fan 3m/s	n/a
38°C / 100°F	n/a	fan 3m/s	n/a
43°C / 110°F	n/a	n/a	n/a



Operation pressure range



Components

a2	relay	117U6011
c	start capacitor (80µF)	117U5017
d	cord relief	103N1004
b	plastic cover	103N2008

Model

Designation **SC12MLX 220-240V/50Hz** Conf. 5 Sales code: **104L2606**

Optimization + standard conditions

R449A, 220V/50Hz, CSIR, fan 3m/s,

Evaporating pressure (saturation temperature)		Condensing pressure (saturation temperature)				Return gas temp.		Liquid temp.		Cooling capacity			COP	EER	P1	I	Ref. mass flow	
pe	pc	RGT	Tliq		[W]	[Btu/h]	[kcal/h]	[W/W]	[Btu/Wh]	[kcal/Wh]	[W]	[A]	[kg/h]					
[°C]	-6,66	54,4	35	46,1	994,6	3397	856,0	1,55	5,29	1,33	641,5	4,22	22,15					ASHRAE MBP
[°F]	20	130	95	115														
[°C]	-10	55	32	55	758,4	2590	652,7	1,25	4,28	1,08	605,2	4,08	18,97					cecomaf MBP
[°F]	14	131	89,6	131														
[°C]	-10	45	20	45	896,8	3063	771,8	1,60	5,48	1,38	559,3	3,92	21,42					EN12900 MBP
[°F]	14	113	68	113														
[°C]	-6,66	48,9	18,3	48,9	953,0	3255	820,2	1,56	5,32	1,34	611,9	4,11	24,22					ARI540 MBP
[°F]	20	120	65	120														
[°C]	-10	45	32	45	934,2	3190	803,9	1,67	5,70	1,44	559,3	3,92	20,82					opt
[°F]	14	113	89,6	113														
[°C]	-25	45	32	45	453,5	1549	390,3	1,09	3,73	0,94	415,6	3,40	9,94					opt
[°F]	-13	113	89,6	113														

Performance tables

R449A, 220V/50Hz, CSIR, fan 3m/s,

	pe	Cooling capacity			COP	EER	P1	I	m		
	[°C]	[°F]	[W]	[Btu/h]	[kcal/h]	[W/W]	[Btu/Wh]	[kcal/Wh]	[W]	[A]	[kg/h]
[°C / °F]	-20	-4	584,9	1997	503,4	1,26	4,31	1,09	463,7	3,57	12,88
cond. pressure	-15	5	744,0	2541	640,3	1,45	4,97	1,25	511,4	3,75	16,47
pc= 45/113	-10	14	934,2	3190	803,9	1,67	5,70	1,44	559,3	3,92	20,82
return gas temp.	-6,7	20	1078,4	3683	928,1	1,82	6,23	1,57	591,0	4,03	24,15
RGT= 32/90	-5	23	1158,9	3958	997,4	1,91	6,52	1,64	607,5	4,09	26,02
liquid temp	0	32	1421,7	4855	1223,5	2,17	7,40	1,86	656,3	4,27	32,21
Tliq= 45/113	7,2	45	1873,7	6399	1612,5	2,57	8,78	2,21	728,5	4,53	43,12
[°C / °F]	-20	-4	461,2	1575	396,9	0,95	3,25	0,82	485,3	3,65	11,38
cond. pressure	-15	5	597,5	2041	514,2	1,09	3,74	0,94	545,8	3,87	14,84
pc= 55/131	-10	14	758,4	2590	652,7	1,25	4,28	1,08	605,2	4,08	18,97
return gas temp	-6,7	20	879,6	3004	757,0	1,37	4,66	1,18	644,0	4,22	22,12
RGT= 32/90	-5	23	947,2	3235	815,1	1,43	4,87	1,23	663,9	4,30	23,89
liquid temp	0	32	1167,3	3986	1004,6	1,62	5,52	1,39	722,2	4,51	29,74
Tliq= 55/131	7,2	45	1546,2	5280	1330,7	1,92	6,55	1,65	806,1	4,81	40,09