

Model

Designation	SC15CL	220-240V/50Hz 1~	Sales code:	104L2883
-------------	---------------	-------------------------	-------------	-----------------

Compressor design

Oil type	Polyolester	Refrigerant(s)	R404A, R507
Oil viscosity	32cSt	Displacement	15,28cm ³ / 0,93cu.in
Oil quantity	550cm ³ / 18,6fl.oz	Compressors on pallet	80
Refr. charge - tech. limit	1300g / 45,9oz		
Free gas volume comp.	1510cm ³ / 51,1fl.oz		
Weight	13,8kg / 30,4lbs		
Motor protection	1# internal		
Winding resistance main	3,7Ω (at 25°C)		
Winding resistance aux	14Ω (at 25°C)		
Max. winding temp.	125°C / 257°F		
Max. discharge temp.	130°C / 266°F		



General - Configurations with SC15CL

	Conf. 1
Motorconfiguration	CSIR
Power supply (nominal)	220-240V/50Hz
Number of phases	1
Voltage range	198-254V
Approvals	VDE, CCC, EAC
Starting torque	HST
Note	Compressor with noise optimization kit.

Applications with SC15CL

	Conf. 1
Refrigerant	R404A
Application	LBP+MBP
System cooling	fan 3m/s
Hot gas defrost	OK
Long interval pull down	OK

Electrical data - Configurations with SC15CL

	Conf. 1
Starting device type	relay
Run capacitor	-/-
Start capacitor	80μF
LRA (locked rotor amps / 4s)	20,43A
RLA (rated load amps / 1s)	3,9A
Cut in current	20,43A
IP class	21

Model

Designation

SC15CL

220-240V/50Hz 1~

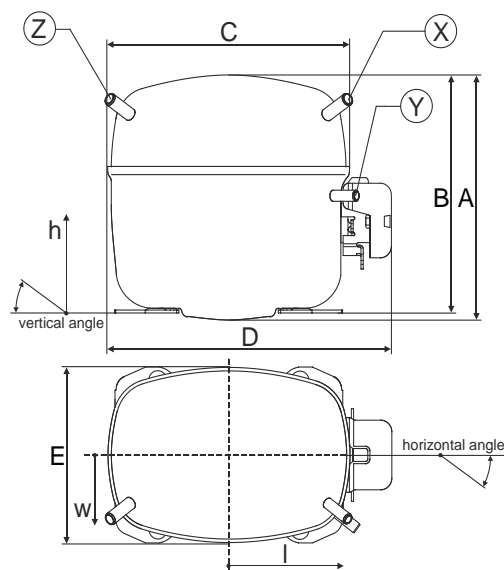
Sales code:

104L2883

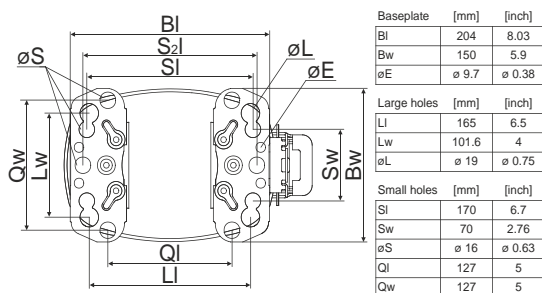
Compressor dimensions

Housing	A Height	219mm / 8,62in
	B Height	213mm / 8,39in
	C Length shell	218mm / 8,58in
	D Length w. cover	255mm / 10,04in
	E Width	151mm / 5,94in

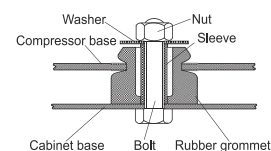
Connectors		Suction	Discharge	Process
		X	Y	Z
Diameter	[mm]	øi 10,11-10,29	øi 6,11-6,29	øi 6,11-6,29
(i:inside, o:outside)	[in]	øi 0,4-0,41	øi 0,24-0,25	øi 0,24-0,25
Material		copper	copper	copper
Horizontal angle	±2°	37°	37°	143°
Vertical angle	±2°	30°	0°	150°
Position l/h/w	[mm]	107/193/55	115/110/63	-107/193/55
	[in]	4,2/7,6/2,2	4,5/4,3/2,5	-4,2/7,6/2,2
Straight tube l.	[mm]	12	12	12
	[in]	0,5	0,5	0,5



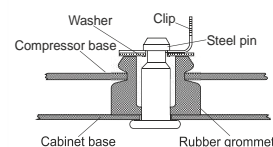
Compressor fixation



Bolt joint



Snap-on



Mounting accessories

	one comp.	multi pack
Bolt joint M6 ø16mm	118-1917	118-1918
Bolt joint ø1/4" ø16mm	118-1946	
Bolt joint ø1/4" ø19mm	118-1949	
Snap-on ø7,3 ø16mm	118-1947	118-1919

Model

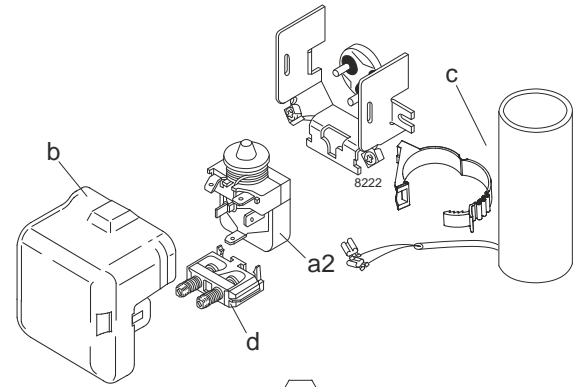
Designation	SC15CL	220-240V/50Hz	Conf. 1	Sales code:	104L2883
-------------	---------------	----------------------	----------------	-------------	-----------------

Configuration

Motorconfiguration	CSIR
Power supply (nominal)	220-240V/50Hz 1~
Refrigerant	R404A
Application	LBP+MBP
Voltage range	198-254V
Starting torque	HST
Approvals	VDE
	CCC
	EAC

Electrical accessories / wiring diagram

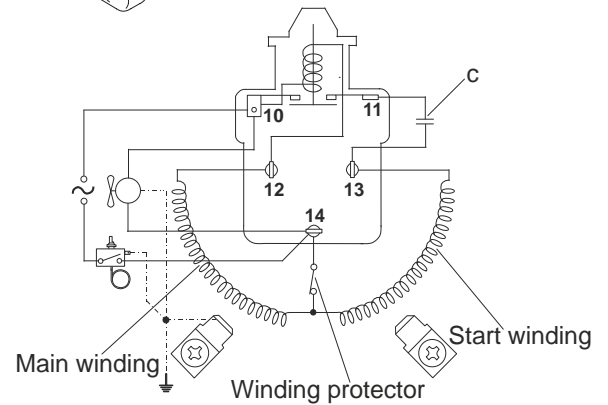
CSIR



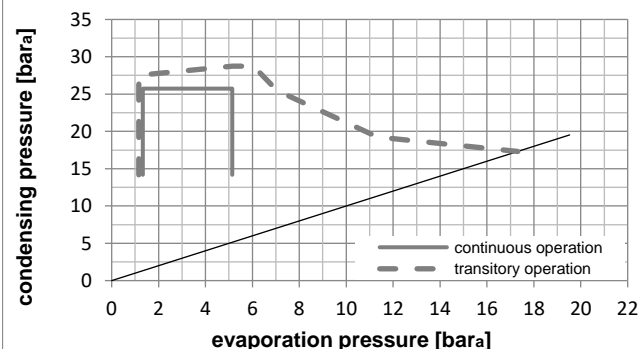
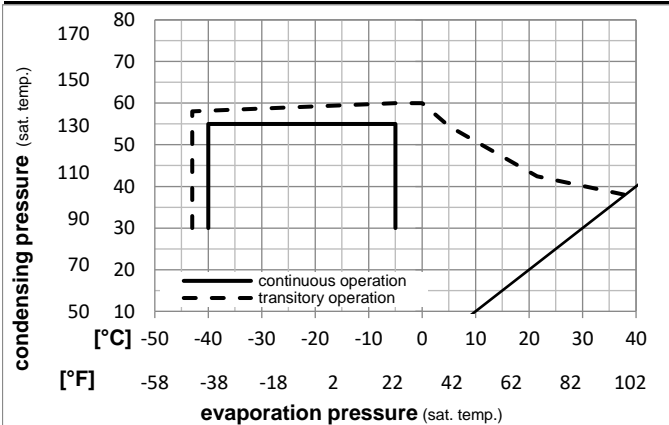
Ambient temperatures / system cooling

Ambient temperature min.:	10°C / 50°F
Ambient temperature max.:	38°C / 101°F

System cooling (n/a: outside limits)			
T ambient	LBP	MBP	HBP
32°C / 90°F	fan 3m/s	fan 3m/s	n/a
38°C / 100°F	fan 3m/s	fan 3m/s	n/a
43°C / 110°F	n/a	n/a	n/a



Operation pressure range



Components

a2	relay	117U6019
c	start capacitor (80μF)	117U5017
d	cord relief	103N1004
b	plastic cover	103N2008

Alternative components

a2	relay	117U6019
c	start capacitor i-pack 40# (80μF)	117U5067
d	cord relief	103N1004
b	plastic cover	103N2008

Model

Designation **SC15CL 220-240V/50Hz** Conf. 1 Sales code: **104L2883**

Optimization + standard conditions

220V/50Hz, CSIR, fan 3m/s, VDE, CCC, EAC

	Evaporating pressure (saturation temperature)				Condensing pressure (saturation temperature)						Power consumption			ASHRAE LBP
	pe	pc	RGT	Tliq	Cooling capacity			COP	EER	P1	I	Ref. mass flow		
	[°C]	[°C]	[°C]	[°C]	[W]	[Btu/h]	[kcal/h]	[W/W]	[Btu/Wh]	[kcal/Wh]	[W]	[A]	[kg/h]	
	-23,3	54,4	32,2	32,2	659,8	2253	567,9	1,21	4,13	1,04	546,0	3,41	15,37	ASHRAE LBP
	[°F]	-10	130	90										
	-25	55	32	55	432,5	1477	372,2	0,85	2,89	0,73	511,7	3,30	13,52	cecomaf LBP
	[°F]	-13	131	89,6										
	-35	40	20	40	336,1	1148	289,3	0,87	2,96	0,75	387,3	2,93	9,13	EN12900 LBP
	[°F]	-31	104	68										
	-23,3	48,9	4,44	48,9	503,1	1718	433,0	0,91	3,10	0,78	555,0	3,46	17,81	ARI540 LBP
	[°F]	-10	120	40										
	-23,3	40,6	32,2	32,2	763,5	2607	657,1	1,45	4,94	1,24	527,8	3,41	17,79	AHAM LBP
	[°F]	-10	105	90										
	-35	45	32	45	284,2	971	244,6	0,76	2,59	0,65	375,4	2,92	7,60	opt
	[°F]	-31	113	89,6										

Performance tables

220V/50Hz, CSIR, fan 3m/s, VDE, CCC, EAC

	pe	Cooling capacity			COP	EER	P1	I	m		
	[°C]	[°F]	[W]	[Btu/h]	[kcal/h]	[W/W]	[Btu/Wh]	[kcal/Wh]	[W]	[A]	[kg/h]
[°C / °F]	-40	-40	143,4	490	123,4	0,51	1,75	0,44	279,8	2,71	3,82
cond. pressure	-35	-31	284,2	971	244,6	0,76	2,59	0,65	375,4	2,92	7,60
pc= 45/113	-30	-22	429,4	1466	369,5	0,94	3,22	0,81	455,0	3,15	11,53
return gas temp.	-25	-13	583,6	1993	502,3	1,11	3,80	0,96	525,1	3,38	15,74
RGT= 32/90	-20	-4	751,5	2567	646,8	1,27	4,34	1,09	591,9	3,62	20,39
liquid temp	-15	5	937,7	3203	807,0	1,42	4,84	1,22	661,7	3,87	25,62
Tliq= 45/113	-5	23	1383,5	4725	1190,7	1,66	5,65	1,42	835,5	4,41	38,46
[°C / °F]	-40	-40	-41,9	-143	-36,1	-0,30	-1,01	-0,25	142,0	2,47	-1,29
cond. pressure	-35	-31	117,7	402	101,3	0,41	1,40	0,35	286,7	2,74	3,64
pc= 55/131	-30	-22	274,3	937	236,1	0,67	2,30	0,58	407,8	3,01	8,52
return gas temp	-25	-13	432,5	1477	372,2	0,85	2,89	0,73	511,7	3,30	13,52
RGT= 32/90	-20	-4	597,0	2039	513,8	0,99	3,37	0,85	604,6	3,60	18,78
liquid temp	-15	5	772,3	2638	664,7	1,11	3,81	0,96	692,9	3,90	24,49
Tliq= 55/131	-5	23	1174,1	4010	1010,4	1,33	4,55	1,15	880,9	4,55	38,00