

Model

Designation	SC15CLX.2	208-230V/60Hz 1~	Sales code:	104L2887
-------------	------------------	------------------	-------------	-----------------

Compressor design

Oil type	Polyolester	Refrigerant(s)	R404A, R507
Oil viscosity	32cSt	Displacement	15,28cm ³ / 0,93cu.in
Oil quantity	549cm ³ / 18,6fl.oz	Compressors on pallet	80
Refr. charge - tech. limit	1300g / 45,9oz		
Free gas volume comp.	1510cm ³ / 51,1fl.oz		
Weight	13,8kg / 30,4lbs		
Motor protection	1# internal		
Winding resistance main	3,4Ω (at 25°C)		
Winding resistance aux	14,4Ω (at 25°C)		
Max. winding temp.	125°C / 257°F		
Max. discharge temp.	130°C / 266°F		



General - Configurations with SC15CLX.2

	Conf. 1
Motorconfiguration	CSCR
Power supply (nominal)	208-230V/60Hz
Number of phases	1
Voltage range	187-254V
Approvals	UL, KC
Starting torque	HST
Note	Compressor with noise optimization kit.

Applications with SC15CLX.2

	Conf. 1
Refrigerant	R404A
Application	LBP
System cooling	fan 3m/s
Hot gas defrost	OK
Long interval pull down	OK

Electrical data - Configurations with SC15CLX.2

	Conf. 1
Starting device type	relay
Run capacitor	10μF
Start capacitor	80μF
LRA (locked rotor amps / 4s)	23,4A
RLA (rated load amps / 1s)	4,3A
Cut in current	23,4A
IP class	21

Model

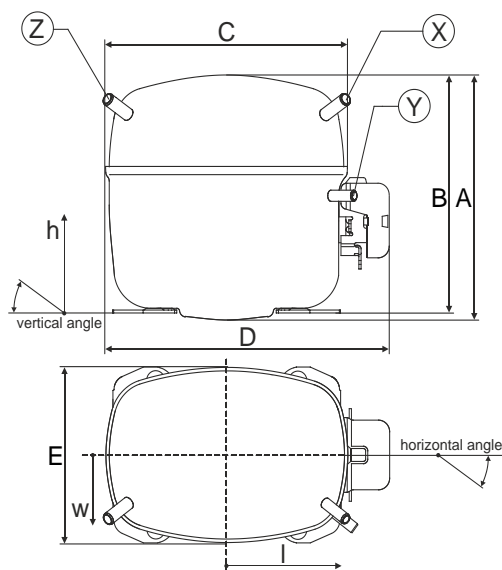
Designation **SC15CLX.2** 208-230V/60Hz 1~

Sales code: **104L2887**

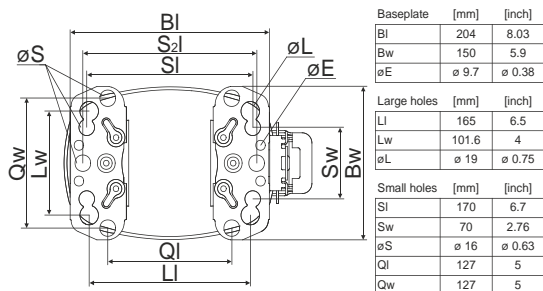
Compressor dimensions

Housing	A Height	219mm / 8,62in
	B Height	213mm / 8,39in
	C Length shell	239mm / 9,41in
	D Length w. cover	255mm / 10,04in
	E Width	151mm / 5,94in

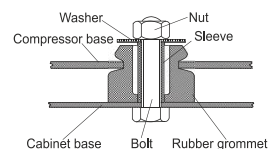
Connectors		Suction	Discharge	Process
		X	Y	Z
Diameter	[mm]	øi 9,54-9,72	øi 6,41-6,59	øi 6,41-6,59
	(i:inside, o:outside) [in]	øi 0,38-0,38	øi 0,25-0,26	øi 0,25-0,26
Material		copper	copper	copper
Horizontal angle	±2°	37°	37°	143
Vertical angle	±2°	30°	0°	150°
Position l/h/w	[mm]	107/193/55	115/110/63	-107/193/55
	[in]	4,2/7,6/2,2	4,5/4,3/2,5	-4,2/7,6/2,2
Straight tube l.	[mm]	12	12	12
	[in]	0,5	0,5	0,5



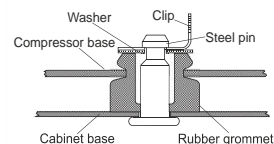
Compressor fixation



Bolt joint



Snap-on



Mounting accessories

	one comp.	multi pack
Bolt joint M6 ø16mm	118-1917	118-1918
Bolt joint ø1/4" ø16mm	118-1946	
Bolt joint ø1/4" ø19mm	118-1949	
Snap-on ø7,3 ø16mm	118-1947	118-1919

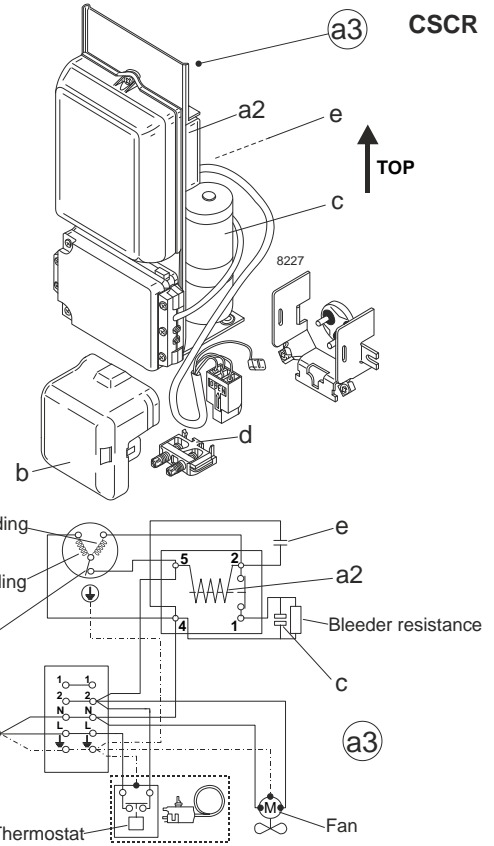
Model

Designation	SC15CLX.2	208-230V/60Hz	Conf. 1	Sales code:	104L2887
-------------	------------------	----------------------	----------------	-------------	-----------------

Configuration

Motorconfiguration	CSCR
Power supply (nominal)	208-230V/60Hz 1~
Refrigerant	R404A
Application	LBP
Voltage range	187-254V
Starting torque	HST
Approvals	UL SA3693
	KC

Electrical accessories / wiring diagram

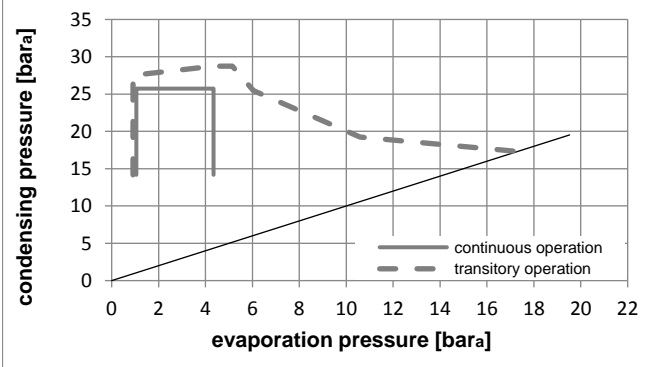
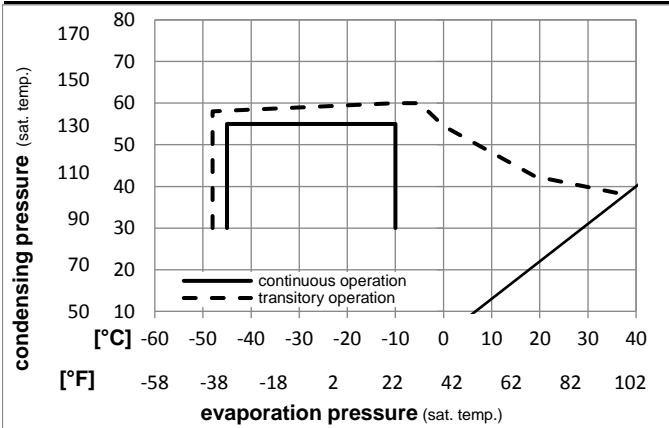


Ambient temperatures / system cooling

Ambient temperature min.:	10°C / 50°F
Ambient temperature max.:	38°C / 101°F

System cooling			
T ambient	LBP	MBP	HBP
32°C / 90°F	fan 3m/s	n/a	n/a
38°C / 100°F	fan 3m/s	n/a	n/a
43°C / 110°F	n/a	n/a	n/a

Operation pressure range



Components

a3	SC starter kit (550mm)	117-7039
b	plastic cover	103N2008
d	cord relief	103N1004

Alternative components:

a3	SC starter kit (1000mm)	117-7043
----	-------------------------	----------

Model

Designation **SC15CLX.2 208-230V/60Hz** Conf. 1 Sales code: **104L2887**

Optimization + standard conditions

208-230V/60Hz 1~, CSCR, fan 3m/s, UL, KC

	Evaporating pressure (saturation temperature)				Condensing pressure (saturation temperature)						Power consumption			ASHRAE LBP
	pe	pc	RGT	Tliq	Cooling capacity			COP	EER	P1	I	Ref. mass flow		
	[°C]	[°C]	[°C]	[°C]	[W]	[Btu/h]	[kcal/h]	[W/W]	[Btu/Wh]	[kcal/Wh]	[W]	[A]	[kg/h]	
	-23,3	54,4	32,2	32,2	880,0	3005	757,4	1,33	4,54	1,14	662,7	3,09	20,51	ASHRAE LBP
	[°F]	-10	130	90										
	-25	55	32	55	592,4	2023	509,8	0,93	3,18	0,80	636,3	2,96	18,51	cecomaf LBP
	[°F]	-13	131	89,6										
	-35	40	20	40	478,1	1633	411,4	1,03	3,50	0,88	466,1	2,22	12,99	EN12900 LBP
	[°F]	-31	104	68										
	-23,3	48,9	4,44	48,9	664,9	2271	572,2	1,03	3,51	0,89	646,5	3,04	23,54	ARI540 LBP
	[°F]	-10	120	40										
	-23,3	40,6	32,2	32,2	1017,4	3475	875,6	1,63	5,57	1,40	624,1	2,95	23,71	AHAM LBP
	[°F]	-10	105	90										
	-35	45	32	45	436,6	1491	375,8	0,93	3,18	0,80	468,6	2,22	11,67	opt
	[°F]	-31	113	89,6										

Performance tables

208-230V/60Hz 1~, CSCR, fan 3m/s, UL, KC

	pe	Cooling capacity			COP	EER	P1	I	m		
	[°C]	[°F]	[W]	[Btu/h]	[kcal/h]	[W/W]	[Btu/Wh]	[kcal/Wh]	[W]	[A]	[kg/h]
[°C / °F]	-45	-49	193,6	661	166,6	0,59	2,03	0,51	325,5	1,60	5,14
cond. pressure	-34,4	-30	452,7	1546	389,6	0,95	3,25	0,82	476,4	2,26	12,11
pc= 45/113	-28,9	-20	631,1	2155	543,1	1,14	3,88	0,98	555,1	2,62	16,96
return gas temp.	-23,3	-10	844,2	2883	726,5	1,33	4,54	1,14	635,6	3,01	22,81
RGT= 32/90	-20,6	-5	965,3	3297	830,7	1,43	4,87	1,23	677,2	3,20	26,17
liquid temp	-15	5	1239,2	4232	1066,5	1,62	5,54	1,40	764,0	3,61	33,85
Tliq= 45/113	-10	14	1525,2	5209	1312,6	1,80	6,15	1,55	847,6	3,98	42,00
[°C / °F]	-45	-49	92,8	317	79,8	0,31	1,07	0,27	296,0	1,46	2,85
cond. pressure	-34,4	-30	317,1	1083	272,9	0,66	2,26	0,57	478,3	2,23	9,81
pc= 55/131	-28,9	-20	469,0	1602	403,6	0,82	2,80	0,71	571,2	2,65	14,59
return gas temp	-23,3	-10	650,0	2220	559,4	0,98	3,34	0,84	664,4	3,09	20,36
RGT= 32/90	-20,6	-5	752,9	2571	648,0	1,06	3,61	0,91	711,6	3,31	23,67
liquid temp	-15	5	986,3	3369	848,9	1,22	4,17	1,05	808,6	3,77	31,28
Tliq= 55/131	-10	14	1231,0	4204	1059,4	1,37	4,67	1,18	900,0	4,20	39,41