

Model

Designation	SC15CLX.2	220-240V/50Hz 1~	Sales code:	104L2893
-------------	------------------	------------------	-------------	-----------------

Compressor design

Oil type	Polyolester	Refrigerant(s)	R404A, R507
Oil viscosity	32cSt	Displacement	15,28cm ³ / 0,93cu.in
Oil quantity	549cm ³ / 18,6fl.oz	Compressors on pallet	80
Refr. charge - tech. limit	1300g / 45,9oz		
Free gas volume comp.	1510cm ³ / 51,1fl.oz		
Weight	13,8kg / 30,4lbs		
Motor protection	1# internal		
Winding resistance main	3,7Ω (at 25°C)		
Winding resistance aux	14Ω (at 25°C)		
Max. winding temp.	125°C / 257°F		
Max. discharge temp.	130°C / 266°F		



General - Configurations with SC15CLX.2

	Conf. 1
Motorconfiguration	CSIR
Power supply (nominal)	220-240V/50Hz
Number of phases	1
Voltage range	198-254V
Approvals	VDE, EAC
Starting torque	HST
Note	- / -

Applications with SC15CLX.2

	Conf. 1
Refrigerant	R404A
Application	LBP
System cooling	fan 3m/s
Hot gas defrost	OK
Long interval pull down	OK

Electrical data - Configurations with SC15CLX.2

	Conf. 1
Starting device type	relay
Run capacitor	0μF
Start capacitor	80μF
LRA (locked rotor amps / 4s)	20,43A
RLA (rated load amps / 1s)	4,2A
Cut in current	20,43A
IP class	21

Model

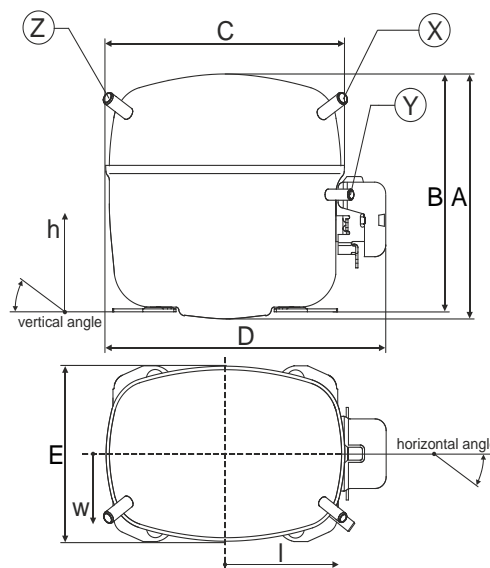
Designation **SC15CLX.2** 220-240V/50Hz 1~

Sales code: **104L2893**

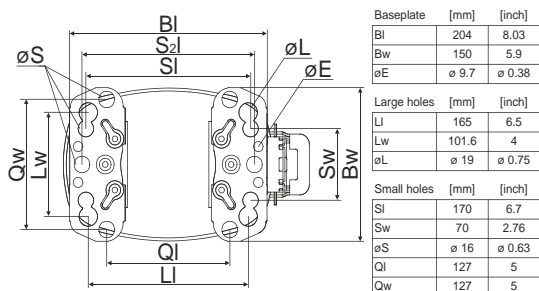
Compressor dimensions

Housing	A Height	219mm / 8,62in
	B Height	213mm / 8,39in
	C Length shell	239mm / 9,41in
	D Length w. cover	255mm / 10,04in
	E Width	151mm / 5,94in

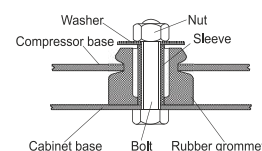
Connectors		Suction	Discharge	Process
		X	Y	Z
Diameter	[mm]	øi 9,54-9,72	øi 6,41-6,59	øi 6,41-6,59
	(i:inside, o:outside) [in]	øi 0,38-0,38	øi 0,25-0,26	øi 0,25-0,26
Material		copper	copper	copper
Horizontal angle	±2°	37°	37°	143
Vertical angle	±2°	30°	0°	150°
Position l/h/w	[mm]	107/193/55	115/110/63	-107/193/55
	[in]	4,2/7,6/2,2	4,5/4,3/2,5	-4,2/7,6/2,2
Straight tube l.	[mm]	12	12	12
	[in]	0,5	0,5	0,5



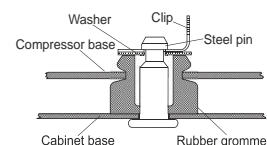
Compressor fixation



Bolt joint



Snap-on



Mounting accessories	one comp.	multi pack
Bolt joint M6 ø16mm	118-1917	118-1918
Bolt joint ø1/4" ø16mm	118-1946	
Bolt joint ø1/4" ø19mm	118-1949	
Snap-on ø7,3 ø16mm	118-1947	118-1919

Model

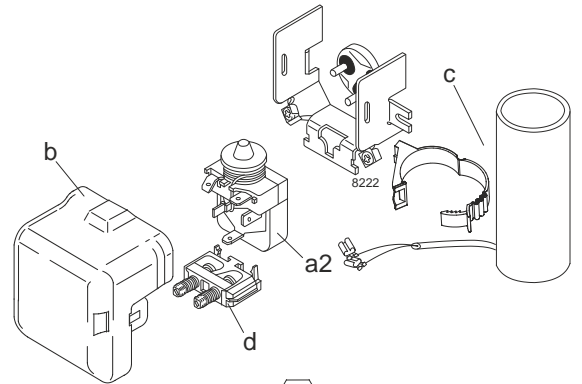
Designation	SC15CLX.2	220-240V/50Hz	Conf. 1	Sales code:	104L2893
-------------	------------------	----------------------	----------------	-------------	-----------------

Configuration

Motorconfiguration	CSIR
Power supply (nominal)	220-240V/50Hz 1~
Refrigerant	R404A
Application	LBP
Voltage range	198-254V
Starting torque	HST
Approvals	VDE
	EAC

Electrical accessories / wiring diagram

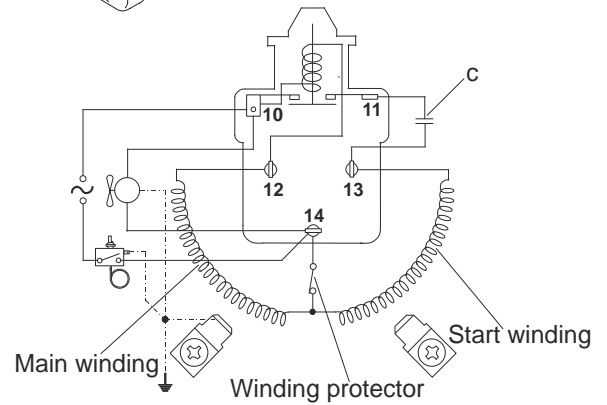
CSIR



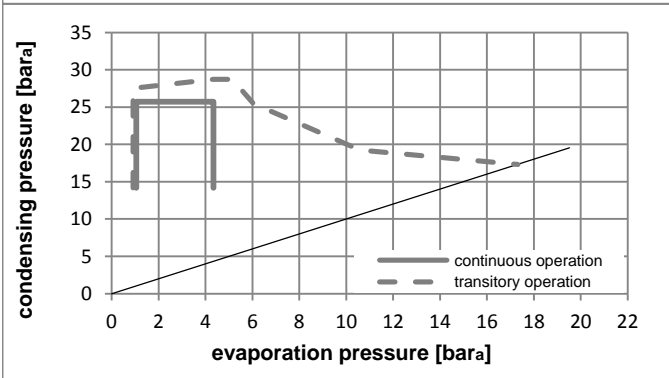
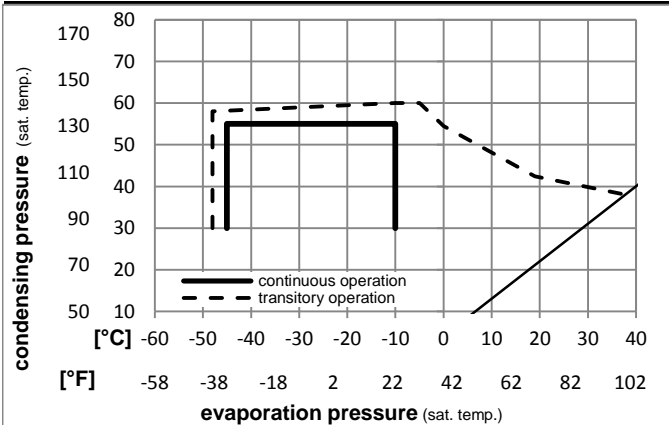
Ambient temperatures / system cooling

Ambient temperature min.:	10°C / 50°F
Ambient temperature max.:	38°C / 101°F

System cooling			
T ambient	LBP	MBP	HBP
32°C / 90°F	fan 3m/s	n/a	n/a
38°C / 100°F	fan 3m/s	n/a	n/a
43°C / 110°F	n/a	n/a	n/a



Operation pressure range



Components:

a2	relay	117U6019
c	start capacitor (80μF)	117U5017
d	cord relief	103N1004
b	plastic cover	103N2008

Alternative components:

a2	relay	117U6019
c	start capacitor i-pack 40# (80μF)	117U5067
d	cord relief	103N1004
b	plastic cover	103N2008

Model

Designation	SC15CLX.2	220-240V/50Hz	Conf. 1	Sales code:	104L2893
-------------	------------------	----------------------	----------------	-------------	-----------------

Optimization + standard conditions

220-240V/50Hz 1~, CSIR, fan 3m/s, VDE, EAC

	Evaporating pressure (saturation temperature)				Condensing pressure (saturation temperature)						Power consumption			ASHRAE LBP
	pe	pc	RGT	Tliq	Cooling capacity			COP	EER	P1	I	Ref. mass flow		
	[°C]	[°C]	[°C]	[°C]	[W]	[Btu/h]	[kcal/h]	[W/W]	[Btu/Wh]	[kcal/Wh]	[W]	[A]	[kg/h]	
	-23,3	54,4	32,2	32,2	722,1	2466	621,4	1,18	4,03	1,01	612,4	3,85	16,82	ASHRAE LBP
	[°F]	-10	130	90										
	-25	55	32	55	486,1	1660	418,3	0,83	2,82	0,71	588,0	3,77	15,19	cecomaf LBP
	[°F]	-13	131	89,6										
	-35	40	20	40	392,3	1340	337,6	0,91	3,11	0,78	430,8	3,30	10,66	EN12900 LBP
	[°F]	-31	104	68										
	-23,3	48,9	4,44	48,9	545,6	1863	469,5	0,91	3,12	0,79	597,4	3,83	19,32	ARI540 LBP
	[°F]	-10	120	40										
	-23,3	40,6	32,2	32,2	834,8	2851	718,4	1,45	4,94	1,25	576,8	3,77	19,45	AHAM LBP
	[°F]	-10	105	90										
	-35	45	32	45	358,3	1224	308,3	0,83	2,83	0,71	433,0	3,31	9,58	opt
	[°F]	-31	113	89,6										

Performance tables

220-240V/50Hz 1~, CSIR, fan 3m/s, VDE, EAC

	pe	Cooling capacity			COP	EER	P1	I	m		
	[°C]	[°F]	[W]	[Btu/h]	[kcal/h]	[W/W]	[Btu/Wh]	[kcal/Wh]	[W]	[A]	[kg/h]
[°C / °F]	-45	-49	158,9	543	136,7	0,53	1,80	0,45	300,8	2,91	4,22
cond. pressure	-34,4	-30	371,5	1269	319,7	0,84	2,88	0,73	440,2	3,33	9,94
pc= 45/113	-28,9	-20	517,8	1768	445,6	1,01	3,45	0,87	513,0	3,56	13,91
return gas temp.	-23,3	-10	692,7	2366	596,1	1,18	4,03	1,01	587,4	3,80	18,72
RGT= 32/90	-20,6	-5	792,0	2705	681,6	1,27	4,32	1,09	625,8	3,93	21,47
liquid temp	-15	5	1016,8	3473	875,1	1,44	4,92	1,24	706,0	4,18	27,78
Tliq= 45/113	-10	14	1251,4	4274	1077,0	1,60	5,46	1,37	783,3	4,42	34,46
[°C / °F]	-45	-49	76,1	260	65,5	0,28	0,95	0,24	273,6	2,82	2,34
cond. pressure	-34,4	-30	260,2	889	223,9	0,59	2,01	0,51	442,0	3,31	8,05
pc= 55/131	-28,9	-20	384,8	1314	331,2	0,73	2,49	0,63	527,9	3,58	11,97
return gas temp	-23,3	-10	533,4	1822	459,0	0,87	2,97	0,75	613,9	3,86	16,70
RGT= 32/90	-20,6	-5	617,8	2110	531,7	0,94	3,21	0,81	657,6	4,00	19,42
liquid temp	-15	5	809,3	2764	696,5	1,08	3,70	0,93	747,2	4,29	25,67
Tliq= 55/131	-10	14	1010,0	3449	869,3	1,21	4,15	1,05	831,7	4,56	32,33