

SC15G Universal Compressor R134a 115V 60Hz

General

Code number (pre-assembled CSIR start equipment)	104G7555
Approvals	UL984
Compressors on pallet	80

Application

Application	LBP/HBP			
	Hz	50	60	
Frequency	Hz	50	60	
Evaporating temperature	°F	-	-31 to 50	
Voltage range	V	-	103 - 127	
Max. condensing temperature continuous (short)	°F	-	140 (158)	
Max. winding temperature continuous (short)	°F	-	257 (275)	

Cooling requirements

Frequency	Hz	50			60		
		LBP	MBP	HBP	LBP	MBP	HBP
90°F		-	-	-	F ₁	F ₁	F ₁
100°F		-	-	-	F ₁	F ₁	F ₁
110°F		-	-	-	F ₁	F ₁	F ₁
Remarks on application:							

Motor

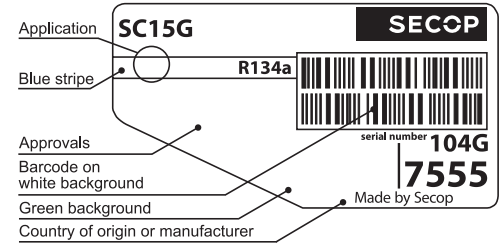
Motor type	CSIR		
LRA (rated after 4 sec. UL984), HST LST	A	42.0	-
Cut in Current, HST LST	A	42.0	-
Resistance, main start winding (77°F)	Ω	1.0	4.3

Design

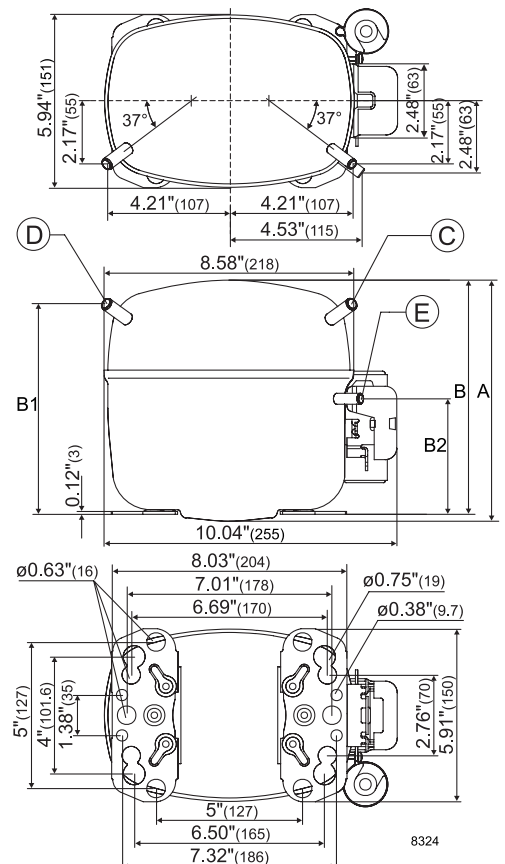
Displacement	cu.in	0.93
Oil quantity (type)	fl.oz.	20.3 (polyolester)
Maximum refrigerant charge	oz.	45.5
Free gas volume in compressor	fl.oz.	49.4
Weight without electrical equipment	lbs.	27.7

Dimensions

Height	inch	A	8.23
		B	8.00
		B1	7.20
		B2	3.93
Suction connector	location, I.D. in. angle	C	0.320-0.327 37°
	material comment		Copper Rubber plug
Process connector	location, I.D. in. angle	D	0.252-0.259 37°
	material comment		Copper Rubber plug
Discharge connector	location, I.D. in. angle	E	0.252-0.259 37°
	material comment		Copper Rubber plug
Oil cooler connector	location, I.D. in. angle	F	-
	material comment		-
Remarks:			



- S = Static cooling normally sufficient
- O = Oil cooling
- F₁ = Fan cooling 1.5 m/s (compressor compartment temperature equal to ambient temperature)
- F₂ = Fan cooling 3.0 m/s necessary
- SG = Suction gas cooling normally sufficient
- = not applicable in this area



ASHRAE LBP

115V, 60Hz, fan cooling F₁

Evap. temp. in °F	-49	-40	-30	-20	-13	-10	0	10	14	20	30	40	41	45	50	59	68
Capacity in BTU/h			455	780	1088	1241	1837	2570	2876	3440	4448	5595	5725	6222	6884		
Power cons. in W			175	252	306	329	408	486	545	566	645	726	753	766	807		
Current cons. in A			4.45	4.70	4.91	5.02	5.40	5.85	6.45	6.35	6.91	7.52	8.12	7.84	8.18		
EER in BTU/Wh			2.60	3.10	3.56	3.77	4.51	5.28	5.29	6.08	6.89	7.71	7.61	8.12	8.53		

ASHRAE HBP

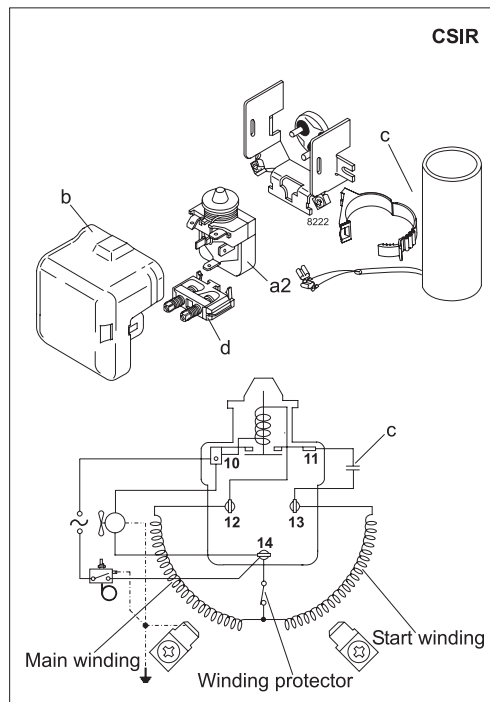
115V, 60Hz, fan cooling F₁

Evap. temp. in °F	-49	-40	-30	-20	-13	-10	0	10	14	20	30	40	41	45	50	59	68
Capacity in BTU/h			403	692	965	1100	1628	2276	2559	3045	3934	4945	5084	5496	6078		
Power cons. in W			175	252	306	329	408	486	545	566	645	726	753	766	807		
Current cons. in A			4.45	4.70	4.91	5.02	5.40	5.85	6.45	6.35	6.91	7.52	8.12	7.84	8.18		
EER in BTU/Wh			2.31	2.75	3.15	3.34	3.99	4.68	4.71	5.38	6.10	6.81	6.76	7.17	7.54		

EN 12900 Household (CECOMAF)

115V, 60Hz, fan cooling F₁

Evap. temp. in °F	-49	-40	-30	-20	-13	-10	0	10	14	20	30	40	41	45	50	59	68
Capacity in W			109	187	260	297	439	614	679	821	1060	1331	1352	1479	1635		
Power cons. in W			175	252	306	329	408	486	548	566	645	726	759	766	807		
Current cons. in A			4.45	4.70	4.91	5.02	5.40	5.85	6.47	6.35	6.91	7.52	8.15	7.84	8.18		
COP in W/W			0.62	0.74	0.85	0.90	1.08	1.26	1.24	1.45	1.64	1.83	1.78	1.93	2.03		



Accessories for	SC15G	Figure	Code number	Test conditions	ASHRAE LBP	ASHRAE HBP	EN 12900/CECOMAF
Starting relay	1/4 in. spade connect.	a2	117U6020	Condensing temp.	130°F	130°F	131°F
Cover		b	103N2008	Ambient temperature	90°F	95°F	90°F
Start. capacitor 240 µF	1/4 in. spade connect.	c	117U5023	Suction gas temp.	90°F	95°F	90°F
Cord relief		d	103N1004	Liquid temperature	90°F	115°F	131°F

Mounting accessories		Code number
Bolt joint for one comp.	Ø: 5/8 in.	118-1917
Bolt joint in quantities	Ø: 5/8 in.	118-1918
Snap-on in quantities	Ø: 5/8 in.	118-1919

Nidec GA Compressors accepts no responsibility for possible errors in catalogs, brochures, and other printed material. Nidec GA Compressors reserves the right to alter its products without notice. This also applies to products already on order provided that such alterations can be made without consequential changes being necessary to specifications already agreed. All trademarks in this material are the property of the respective companies. Secop and the Secop logotype are trademarks of Nidec Global Appliance Germany GmbH. All rights reserved. www.secop.com