

SC15G Universal Compressor R134a 115V 60Hz

General

| | |
|-----------------------|----------|
| Code number | 104G7560 |
| Approvals | UL984 |
| Compressors on pallet | 80 |

Application

| Application | LBP/HBP | | | |
|--|---------|----|-----------|--|
| Frequency | Hz | 50 | 60 | |
| Evaporating temperature | °F | - | -31 to 50 | |
| Voltage range | V | - | 103 - 127 | |
| Max. condensing temperature continuous (short) | °F | - | 140 (158) | |
| Max. winding temperature continuous (short) | °F | - | 257 (275) | |

Cooling requirements

| Frequency | Hz | 50 | | | 60 | | |
|-------------------------|----|-----|-----|-----|-----|-----|-----|
| Application | | LBP | MBP | HBP | LBP | MBP | HBP |
| 90°F | | - | - | - | O | O | O |
| 100°F | | - | - | - | O | O | O |
| 110°F | | - | - | - | O | O | O |
| Remarks on application: | | | | | | | |

Motor

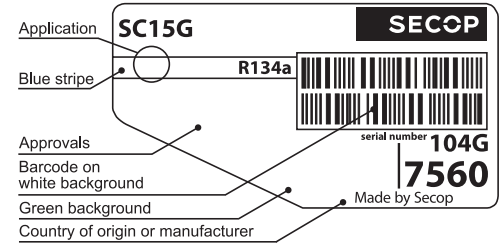
| Motor type | CSIR | | |
|---|------|------|-----|
| LRA (rated after 4 sec. UL984), HST LST | A | 42.0 | - |
| Cut in Current, HST LST | A | 42.0 | - |
| Resistance, main start winding (77°F) | Ω | 1.0 | 4.3 |

Design

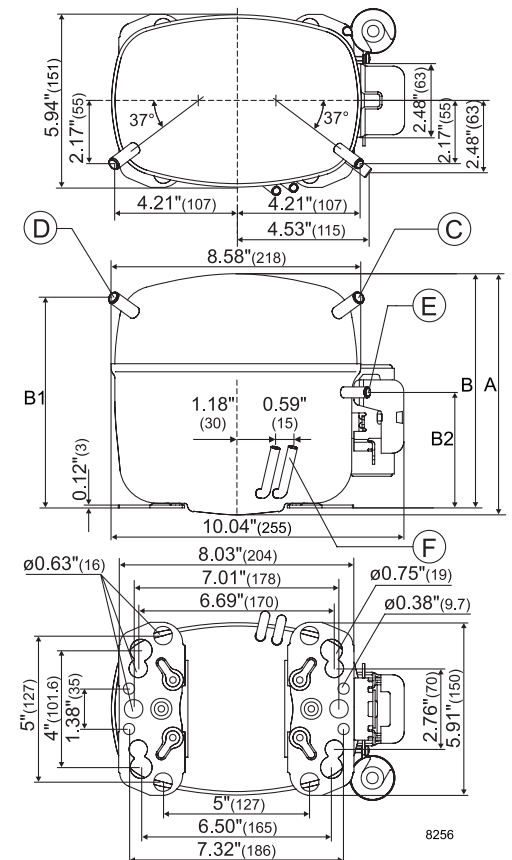
| | | |
|-------------------------------------|--------|--------------------|
| Displacement | cu.in | 0.93 |
| Oil quantity (type) | fl.oz. | 16.9 (polyolester) |
| Maximum refrigerant charge | oz. | 45.5 |
| Free gas volume in compressor | fl.oz. | 49.4 |
| Weight without electrical equipment | lbs. | 27.7 |

Dimensions

| | | | |
|----------------------|----------------------------|----|----------------------|
| Height | inch | A | 8.23 |
| | | B | 8.00 |
| | | B1 | 7.20 |
| | | B2 | 3.93 |
| Suction connector | location, I.D. in. angle | C | 0.320-0.327 37° |
| | material comment | | Copper Rubber plug |
| Process connector | location, I.D. in. angle | D | 0.252-0.259 37° |
| | material comment | | Copper Rubber plug |
| Discharge connector | location, I.D. in. angle | E | 0.252-0.259 37° |
| | material comment | | Copper Rubber plug |
| Oil cooler connector | location, I.D. in. angle | F | 0.252-0.259 - |
| | material comment | | Copper Rubber plug |
| Remarks: | | | |



- S = Static cooling normally sufficient
- O = Oil cooling
- F₁ = Fan cooling 1.5 m/s (compressor compartment temperature equal to ambient temperature)
- F₂ = Fan cooling 3.0 m/s necessary
- SG = Suction gas cooling normally sufficient
- = not applicable in this area



ASHRAE LBP

115V, 60Hz, oil cooling

| | | | | | | | | | | | | | | | | | |
|--------------------|-----|-----|------|------|------|------|------|------|------|------|------|------|------|------|------|----|----|
| Evap. temp. in °F | -49 | -40 | -30 | -20 | -13 | -10 | 0 | 10 | 14 | 20 | 30 | 40 | 41 | 45 | 50 | 59 | 68 |
| Capacity in BTU/h | | | 455 | 780 | 1088 | 1241 | 1837 | 2570 | 2876 | 3440 | 4448 | 5595 | 5725 | 6222 | 6884 | | |
| Power cons. in W | | | 175 | 252 | 306 | 329 | 408 | 486 | 545 | 566 | 645 | 726 | 753 | 766 | 807 | | |
| Current cons. in A | | | 4.45 | 4.70 | 4.91 | 5.02 | 5.40 | 5.85 | 6.45 | 6.35 | 6.91 | 7.52 | 8.12 | 7.84 | 8.18 | | |
| EER in BTU/Wh | | | 2.60 | 3.10 | 3.56 | 3.77 | 4.51 | 5.28 | 5.29 | 6.08 | 6.89 | 7.71 | 7.61 | 8.12 | 8.53 | | |

ASHRAE HBP

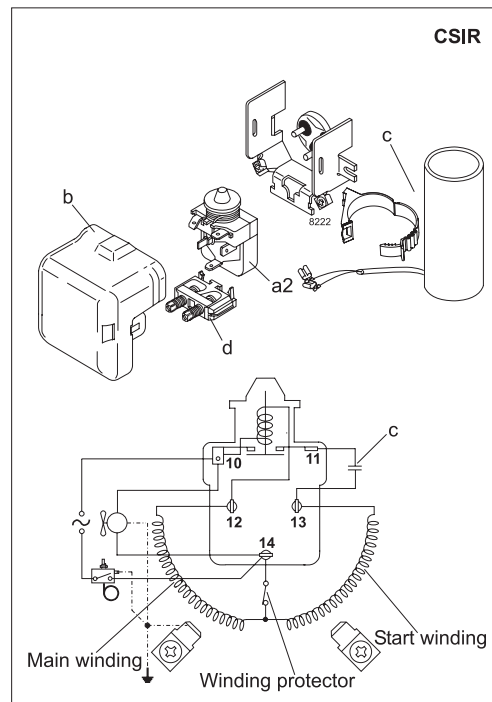
115V, 60Hz, oil cooling

| | | | | | | | | | | | | | | | | | |
|--------------------|-----|-----|------|------|------|------|------|------|------|------|------|------|------|------|------|----|----|
| Evap. temp. in °F | -49 | -40 | -30 | -20 | -13 | -10 | 0 | 10 | 14 | 20 | 30 | 40 | 41 | 45 | 50 | 59 | 68 |
| Capacity in BTU/h | | | 403 | 692 | 965 | 1100 | 1628 | 2276 | 2559 | 3045 | 3934 | 4945 | 5084 | 5496 | 6078 | | |
| Power cons. in W | | | 175 | 252 | 306 | 329 | 408 | 486 | 545 | 566 | 645 | 726 | 753 | 766 | 807 | | |
| Current cons. in A | | | 4.45 | 4.70 | 4.91 | 5.02 | 5.40 | 5.85 | 6.45 | 6.35 | 6.91 | 7.52 | 8.12 | 7.84 | 8.18 | | |
| EER in BTU/Wh | | | 2.31 | 2.75 | 3.15 | 3.34 | 3.99 | 4.68 | 4.71 | 5.38 | 6.10 | 6.81 | 6.76 | 7.17 | 7.54 | | |

EN 12900 Household (CECOMAF)

115V, 60Hz, oil cooling

| | | | | | | | | | | | | | | | | | |
|--------------------|-----|-----|------|------|------|------|------|------|------|------|------|------|------|------|------|----|----|
| Evap. temp. in °F | -49 | -40 | -30 | -20 | -13 | -10 | 0 | 10 | 14 | 20 | 30 | 40 | 41 | 45 | 50 | 59 | 68 |
| Capacity in W | | | 109 | 187 | 260 | 297 | 439 | 614 | 679 | 821 | 1060 | 1331 | 1352 | 1479 | 1635 | | |
| Power cons. in W | | | 175 | 252 | 306 | 329 | 408 | 486 | 548 | 566 | 645 | 726 | 759 | 766 | 807 | | |
| Current cons. in A | | | 4.45 | 4.70 | 4.91 | 5.02 | 5.40 | 5.85 | 6.47 | 6.35 | 6.91 | 7.52 | 8.15 | 7.84 | 8.18 | | |
| COP in W/W | | | 0.62 | 0.74 | 0.85 | 0.90 | 1.08 | 1.26 | 1.24 | 1.45 | 1.64 | 1.83 | 1.78 | 1.93 | 2.03 | | |



| Accessories for | SC15G | Figure | Code number |
|---------------------------|-------------------------|--------|-------------|
| PTC starting device | 1/4 in. spade connect. | - | - |
| | 3/16 in. spade connect. | | - |
| Starting relay | 1/4 in. spade connect. | a2 | 117U6020 |
| Cover | | b | 103N2008 |
| Start. capacitor 240 µF | 1/4 in. spade connect. | c | 117U5023 |
| Cord relief | | d | 103N1004 |
| Protection screen for PTC | | - | - |

| Test conditions | ASHRAE LBP | ASHRAE HBP | EN 12900/CECOMAF |
|---------------------|------------|------------|------------------|
| Condensing temp. | 130°F | 130°F | 131°F |
| Ambient temperature | 90°F | 95°F | 90°F |
| Suction gas temp. | 90°F | 95°F | 90°F |
| Liquid temperature | 90°F | 115°F | 131°F |

| Mounting accessories | Code number | |
|--------------------------|-------------|----------|
| Bolt joint for one comp. | Ø: 5/8 in. | 118-1917 |
| Bolt joint in quantities | Ø: 5/8 in. | 118-1918 |
| Snap-on in quantities | Ø: 5/8 in. | 118-1919 |

Secop accepts no responsibility for possible errors in catalogs, brochures, and other printed material. Secop reserves the right to alter its products without notice. This also applies to products already on order provided that such alterations can be made without consequential changes being necessary to specifications already agreed. All trademarks in this material are the property of the respective companies. Secop and the Secop logotype are trademarks of Secop GmbH. All rights reserved. www.secop.com