

Model

Designation	SC15G	220-240V/60Hz 1~ 220-240V/50Hz 1~	Sales code:	104G8525
-------------	--------------	-----------------------------------	-------------	-----------------

Compressor design

Oil type	Polyolester	Refrigerant(s)	R134a
Oil viscosity	22cSt	Displacement	15,28cm ³ / 0,93cu.in
Oil quantity	550cm ³ / 18,6fl.oz	Compressors on pallet	80
Refr. charge - tech. limit	1300g / 45,9oz		
Free gas volume comp.	1410cm ³ / 47,7fl.oz		
Weight	13,7kg / 30,2lbs		
Motor protection	1# internal		
Winding resistance main	5,13Ω (at 25°C)		
Winding resistance aux	13,51Ω (at 25°C)		
Max. winding temp.	125°C / 257°F		
Max. discharge temp.	130°C / 266°F		



General - Configurations with SC15G

	Conf. 1	Conf. 2
Motorconfiguration	CSIR	CSIR
Power supply (nominal)	220-240V/50Hz	208-230V/60Hz
Number of phases	1	1
Voltage range	187-254V	198-254V
Approvals	VDE, CCC, KC	VDE, CCC, KC
Starting torque	HST	HST
Note	- / -	

Applications with SC15G

	Conf. 1	Conf. 2
Refrigerant	R134a	R134a
Application	LBP+MBP+HBP	LBP
System cooling	fan 3m/s	fan 3m/s
Hot gas defrost	OK	OK
Long interval pull down	OK	OK

Electrical data - Configurations with SC15G

	Conf. 1	Conf. 2
Starting device type	relay	relay
Run capacitor	-/-	-/-
Start capacitor	80μF	80μF
LRA (locked rotor amps / 4s)	16,2A	15,6A
RLA (rated load amps / 1s)	3,1A	2,8A
Cut in current	16,2A	15,6A
IP class	21	21

Model

Designation

SC15G

220-240V/60Hz 1~ 220-240V/50Hz 1~

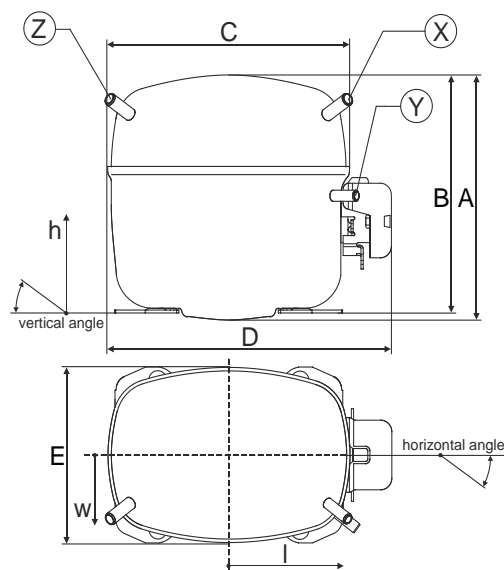
Sales code:

104G8525

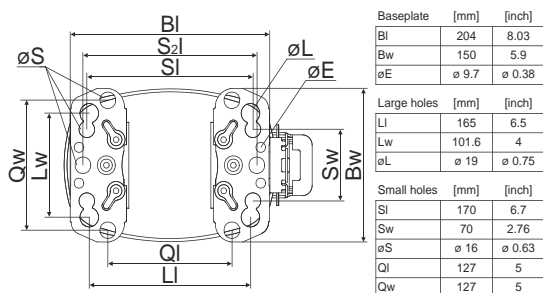
Compressor dimensions

Housing	A Height	209mm / 8,23in
	B Height	203mm / 7,99in
	C Length shell	218mm / 8,58in
	D Length w. cover	255mm / 10,04in
	E Width	151mm / 5,94in

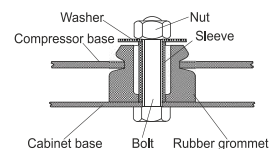
Connectors	Suction		Discharge		Process	
	X		Y		Z	
Diameter [mm]	øi 10,11-10,29		øi 6,41-6,59		øi 6,41-6,59	
(i:inside, o:outside) [in]	øi 0,4-0,41		øi 0,25-0,26		øi 0,25-0,26	
Material	copper		copper		copper	
Horizontal angle ±2°	37°		37°		143°	
Vertical angle ±2°	30°		0°		150°	
Position l/h/w [mm]	107/183/55		115/100/63		-107/183/55	
[in]	4,2/7,2/2,2		4,5/3,9/2,5		-4,2/7,2/2,2	
Straight tube l. [mm]	12		12		12	
[in]	0,5		0,5		0,5	



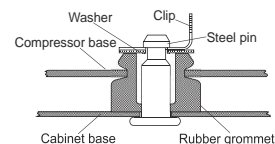
Compressor fixation



Bolt joint



Snap-on



Mounting accessories

	one comp.	multi pack
Bolt joint M6 ø16mm	118-1917	118-1918
Bolt joint ø1/4" ø16mm	118-1946	
Bolt joint ø1/4" ø19mm	118-1949	
Snap-on ø7,3 ø16mm	118-1947	118-1919

Model

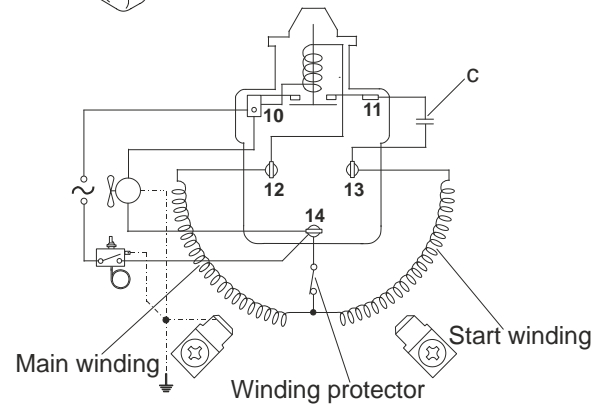
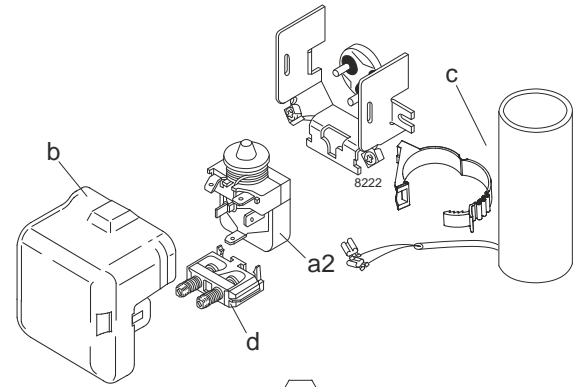
Designation	SC15G	220-240V/50Hz	Conf. 1	Sales code:	104G8525
-------------	--------------	----------------------	----------------	-------------	-----------------

Configuration

Motorconfiguration	CSIR
Power supply (nominal)	220-240V/50Hz 1~
Refrigerant	R134a
Application	LBP+MBP+HBP
Voltage range	187-254V
Starting torque	HST
Approvals	VDE
	CCC
	KC

Electrical accessories / wiring diagram

CSIR

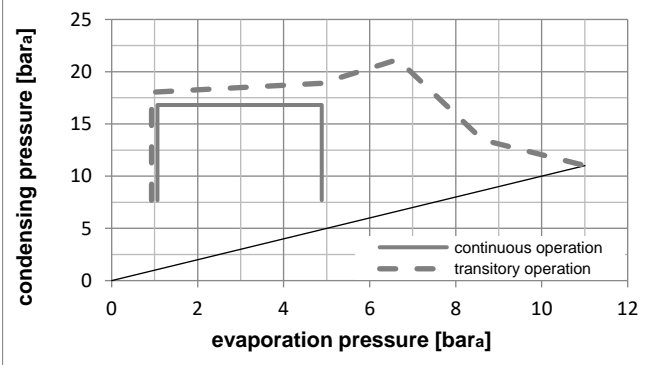
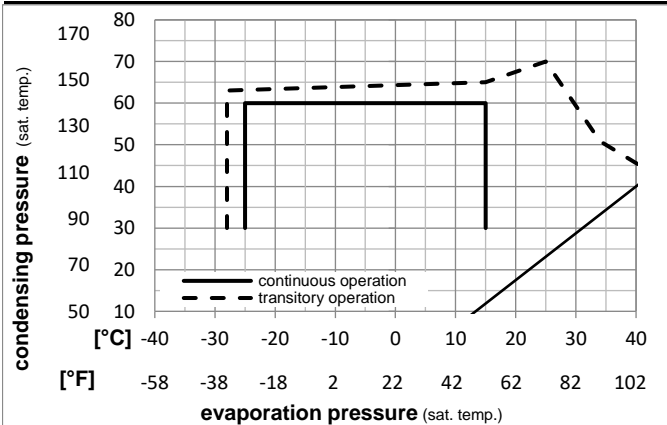


Ambient temperatures / system cooling

Ambient temperature min.:	10°C / 50°F
Ambient temperature max.:	43°C / 110°F

System cooling (n/a: outside limits)			
T ambient	LBP	MBP	HBP
32°C / 90°F	fan 3m/s	fan 3m/s	fan 3m/s
38°C / 100°F	fan 3m/s	fan 3m/s	fan 3m/s
43°C / 110°F	fan 3m/s	fan 3m/s	fan 3m/s

Operation pressure range



Components

a2	relay	117U6005
c	start capacitor (80μF)	117U5017
d	cord relief	103N1004
b	plastic cover	103N2009

Model

Designation **SC15G 220-240V/50Hz** Conf. 1 Sales code: **104G8525**

Optimization + standard conditions

220V/50Hz, CSIR, fan 3m/s, VDE, CCC, KC

	Evaporating pressure (saturation temperature)				Condensing pressure (saturation temperature)						Power consumption			ASHRAE
	pe	pc	RGT	Tliq	Cooling capacity			COP	EER	P1	I	Ref. mass flow		
	[°C]	[°F]	[°C]	[°F]	[W]	[Btu/h]	[kcal/h]	[W/W]	[Btu/Wh]	[kcal/Wh]	[W]	[A]	[kg/h]	LBP
	-23,3	54,4	32,2	32,2	259,0	885	222,9	1,00	3,43	0,86	258,1	2,27	5,03	ASHRAE LBP
	-10	130	90	90										
	-6,66	54,4	35	46,1	746,5	2550	642,5	1,57	5,35	1,35	476,9	2,91	16,29	ASHRAE MBP
	20	130	95	115										
	7,22	54,4	35	46,1	1341,8	4582	1154,8	2,20	7,50	1,89	610,6	3,50	29,77	ASHRAE HBP
	45	130	95	115										
	-35	40	20	40	95,7	327	82,4	0,80	2,73	0,69	119,9	1,95	2,10	EN12900 LBP
	-31	104	68	104										
	-10	45	20	45	650,7	2222	560,0	1,58	5,41	1,36	410,7	2,66	15,23	EN12900 MBP
	14	113	68	113										
	5	50	20	50	1151,5	3933	991,0	2,01	6,87	1,73	572,6	3,30	29,02	EN12900 HBP
	41	122	68	122										

Performance tables

220V/50Hz, CSIR, fan 3m/s, VDE, CCC, KC

	pe	Cooling capacity			COP	EER	P1	I	m		
	[°C]	[°F]	[W]	[Btu/h]	[kcal/h]	[W/W]	[Btu/Wh]	[kcal/Wh]	[W]	[A]	[kg/h]
[°C / °F]	-25	-13	260,7	890	224,4	1,10	3,76	0,95	236,6	2,19	5,65
cond. pressure	-20	-4	382,8	1307	329,5	1,29	4,39	1,11	297,9	2,34	8,32
pc= 45/113	-10	14	675,1	2306	581,0	1,64	5,61	1,41	410,7	2,66	14,77
return gas temp.	-5	23	853,2	2914	734,3	1,85	6,31	1,59	461,9	2,83	18,76
RGT= 32/90	0	32	1058,0	3613	910,5	2,08	7,10	1,79	509,3	3,01	23,40
liquid temp	5	41	1293,4	4417	1113,1	2,34	7,99	2,01	552,7	3,19	28,79
Tliq= 45/113	15	59	1871,8	6392	1610,9	2,99	10,20	2,57	626,9	3,59	42,40
[°C / °F]	-25	-13	164,2	561	141,3	0,71	2,41	0,61	232,7	2,21	3,93
cond. pressure	-20	-4	290,3	991	249,8	0,95	3,23	0,81	307,1	2,40	6,96
pc= 55/131	-10	14	568,4	1941	489,2	1,29	4,42	1,11	439,7	2,78	13,74
return gas temp	-5	23	728,4	2488	626,8	1,46	5,00	1,26	497,5	2,99	17,71
RGT= 32/90	0	32	907,6	3100	781,1	1,65	5,64	1,42	549,3	3,20	22,20
liquid temp	5	41	1110,0	3791	955,3	1,87	6,37	1,61	595,0	3,42	27,35
Tliq= 55/131	15	59	1600,3	5465	1377,2	2,40	8,19	2,06	667,3	3,88	40,20

Model

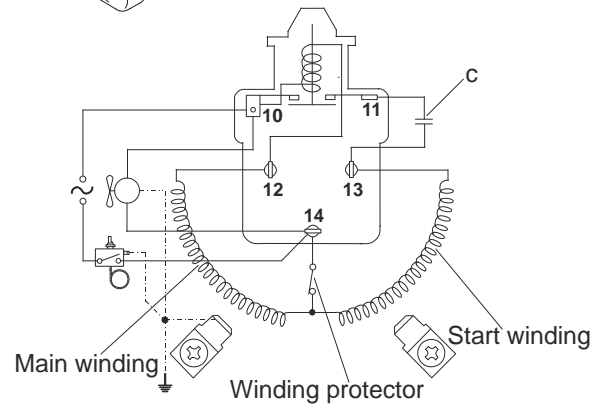
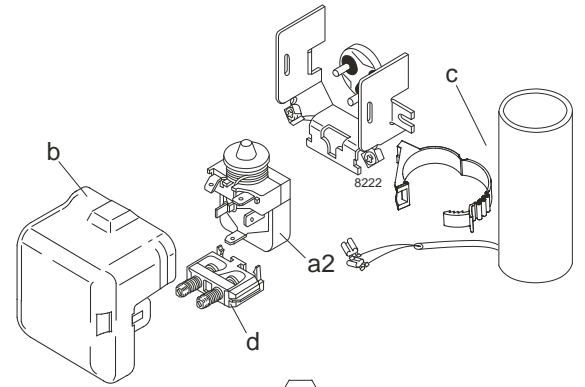
Designation	SC15G	208-230V/60Hz	Conf. 2	Sales code:	104G8525
-------------	--------------	----------------------	----------------	-------------	-----------------

Configuration

Motorconfiguration	CSIR
Power supply (nominal)	208-230V/60Hz 1~
Refrigerant	R134a
Application	LBP
Voltage range	198-254V
Starting torque	HST
Approvals	VDE
	CCC
	KC

Electrical accessories / wiring diagram

CSIR

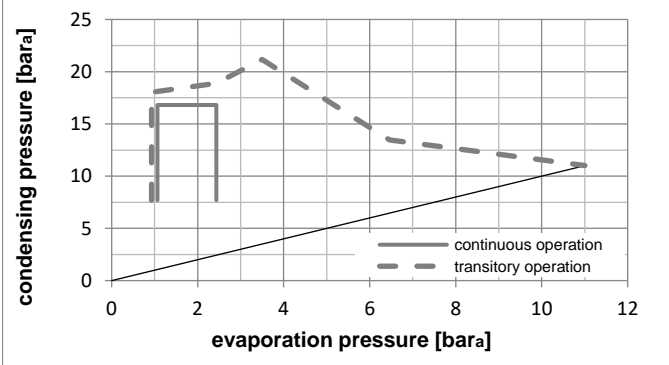
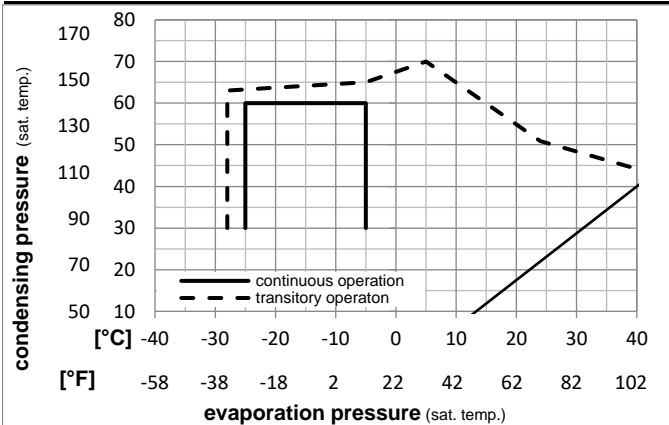


Ambient temperatures / system cooling

Ambient temperature min.:	10°C / 50°F
Ambient temperature max.:	43°C / 110°F

System cooling (n/a: outside limits)			
T ambient	LBP	MBP	HBP
32°C / 90°F	fan 3m/s	n/a	n/a
38°C / 100°F	fan 3m/s	n/a	n/a
43°C / 110°F	fan 3m/s	n/a	n/a

Operation pressure range



Components

a2	relay	117U6005
c	start capacitor (80µF)	117U5017
d	cord relief	103N1004
b	plastic cover	103N2009

Model

Designation **SC15G 208-230V/60Hz** Conf. **2** Sales code: **104G8525**

Optimization + standard conditions

220V/60Hz, CSIR, fan 3m/s, VDE, CCC, KC

	Evaporating pressure (saturation temperature)				Condensing pressure (saturation temperature)						Power consumption			ASHRAE
	pe	pc	RGT	Tliq	Cooling capacity			COP	EER	P1	I	Ref. mass flow	LBP	
	[°C]	[°F]	[°C]	[°F]	[W]	[Btu/h]	[kcal/h]	[W/W]	[Btu/Wh]	[kcal/Wh]	[W]	[A]		[kg/h]
	-23,3	54,4	32,2	32,2	370,0	1264	318,4	1,07	3,64	0,92	347,0	2,03	7,18	ASHRAE LBP
	-10	130	90	90										
	-6,66	54,4	35	46,1	884,5	3021	761,2	1,64	5,59	1,41	540,7	2,73	19,30	ASHRAE MBP
	20	130	95	115										
	7,22	54,4	35	46,1	1564,0	5341	1346,0	2,27	7,76	1,96	688,1	3,41	34,70	ASHRAE HBP
	45	130	95	115										
	-35	40	20	40	167,8	573	144,4	0,94	3,22	0,81	177,9	1,56	3,68	EN12900 LBP
	-31	104	68	104										
	-10	45	20	45	784,8	2680	675,4	1,69	5,76	1,45	465,6	2,47	18,37	EN12900 MBP
	14	113	68	113										
	5	50	20	50	1331,2	4546	1145,7	2,10	7,18	1,81	633,2	3,17	33,54	EN12900 HBP
	41	122	68	122										

Performance tables

220V/60Hz, CSIR, fan 3m/s, VDE, CCC, KC

	pe	Cooling capacity			COP	EER	P1	I	m		
	[°C]	[°F]	[W]	[Btu/h]	[kcal/h]	[W/W]	[Btu/Wh]	[kcal/Wh]	[W]	[A]	[kg/h]
[°C / °F]	-25	-13	346,8	1184	298,5	1,15	3,94	0,99	300,8	1,90	7,51
cond. pressure	-23,3	-10	389,3	1330	335,1	1,22	4,16	1,05	319,8	1,96	8,44
pc= 45/113	-20	-4	479,5	1638	412,7	1,34	4,59	1,16	356,7	2,08	10,42
return gas temp.	-17,8	0	545,3	1862	469,3	1,43	4,89	1,23	381,1	2,17	11,86
RGT= 32/90	-15	5	635,4	2170	546,9	1,54	5,27	1,33	411,9	2,27	13,85
liquid temp	-10	14	814,2	2781	700,7	1,75	5,97	1,51	465,6	2,47	17,82
Tliq= 45/113	-5	23	1015,5	3468	874,0	1,97	6,71	1,69	516,6	2,67	22,33
[°C / °F]	-25	-13	262,0	895	225,5	0,79	2,71	0,68	330,2	1,99	6,27
cond. pressure	-23,3	-10	298,2	1018	256,6	0,85	2,91	0,73	349,7	2,05	7,14
pc= 55/131	-20	-4	376,5	1286	324,0	0,97	3,31	0,83	388,0	2,17	9,03
return gas temp	-17,8	0	434,4	1484	373,9	1,05	3,59	0,90	413,8	2,25	10,44
RGT= 32/90	-15	5	514,9	1759	443,1	1,15	3,94	0,99	446,8	2,37	12,40
liquid temp	-10	14	677,1	2312	582,7	1,34	4,57	1,15	505,6	2,59	16,37
Tliq= 55/131	-5	23	862,5	2946	742,3	1,53	5,23	1,32	563,3	2,82	20,97