

Model

Designation	SC15MNX	220-240V/50Hz 1~	Sales code:	104H8575
-------------	----------------	------------------	-------------	-----------------

Compressor design

Oil type	Polyolester	Refrigerant(s)	R290
Oil viscosity	22cSt	Displacement	15,28cm ³ / 0,93cu.in
Oil quantity	554cm ³ / 18,7fl.oz	Compressors on pallet	80
Refr. charge - tech. limit	150g / 5,3oz		
Free gas volume comp.	1510cm ³ / 51,1fl.oz		
Weight	13,5kg / 29,8lbs		
Motor protection	1# internal		
Winding resistance main	3,7Ω (at 25°C)		
Winding resistance aux	14Ω (at 25°C)		
Max. winding temp.	125°C / 257°F		
Max. discharge temp.	135°C / 275°F		



General - Configurations with SC15MNX

	Conf. 1
Motorconfiguration	CSIR
Power supply (nominal)	220-240V/50Hz
Number of phases	1
Voltage range	198-254V
Approvals	VDE, CCC, EAC
Starting torque	HST
Note	- / -

Applications with SC15MNX

	Conf. 1
Refrigerant	R290
Application	MBP
System cooling	fan 3m/s
Hot gas defrost	OK
Long interval pull down	OK

Electrical data - Configurations with SC15MNX

	Conf. 1
Starting device type	relay
Run capacitor	-/-
Start capacitor	80μF
LRA (locked rotor amps / 4s)	20,43A
RLA (rated load amps / 1s)	3,9A
Cut in current	20,43A
IP class	21

Model

Designation

SC15MNX

220-240V/50Hz 1~

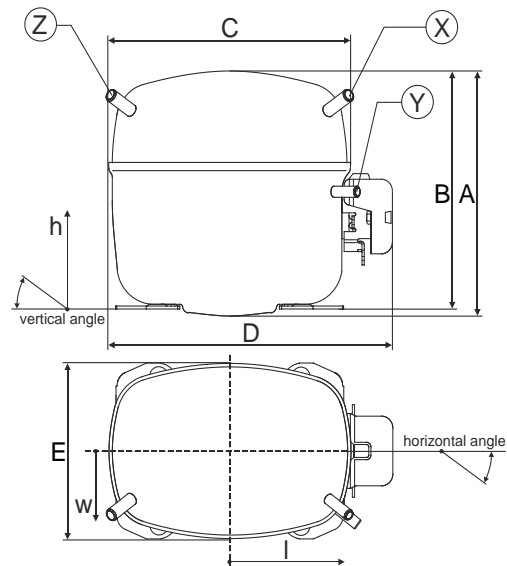
Sales code:

104H8575

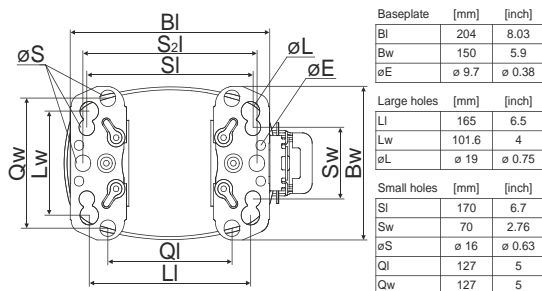
Compressor dimensions

Housing	A Height	219mm / 8,62in
	B Height	213mm / 8,39in
	C Length shell	218mm / 8,58in
	D Length w. cover	255mm / 10,04in
	E Width	151mm / 5,94in

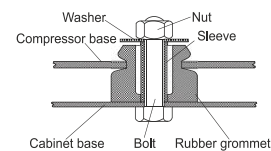
Connectors		Suction	Discharge	Process
		X	Y	Z
Diameter	[mm]	øi 8,11-8,29	øi 6,11-6,29	øi 6,11-6,29
(i:inside, o:outside)	[in]	øi 0,32-0,33	øi 0,24-0,25	øi 0,24-0,25
Material		copper	copper	copper
Horizontal angle	±2°	37°	37°	143°
Vertical angle	±2°	30°	0°	150°
Position l/h/w	[mm]	107/193/55	115/110/63	-107/193/55
	[in]	4,2/7,6/2,2	4,5/4,3/2,5	-4,2/7,6/2,2
Straight tube l.	[mm]	12	12	12
	[in]	0,5	0,5	0,5



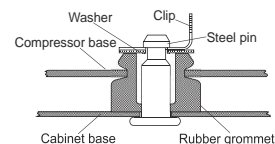
Compressor fixation



Bolt joint



Snap-on



Mounting accessories

	one comp.	multi pack
Bolt joint M6 ø16mm	118-1917	118-1918
Bolt joint ø1/4" ø16mm	118-1946	
Bolt joint ø1/4" ø19mm	118-1949	
Snap-on ø7,3 ø16mm	118-1947	118-1919

Model

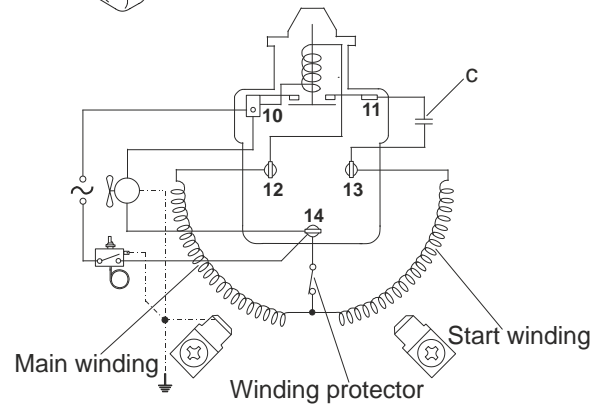
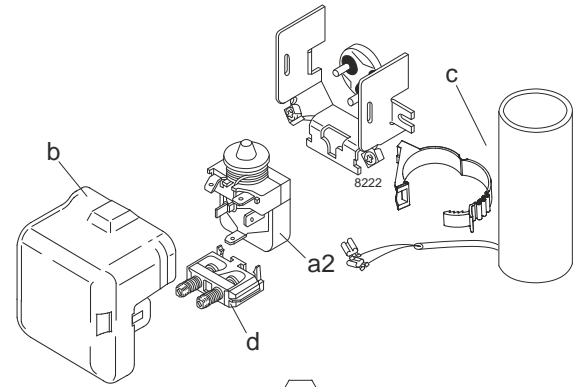
Designation	SC15MNX	220-240V/50Hz	Conf. 1	Sales code:	104H8575
-------------	----------------	----------------------	----------------	-------------	-----------------

Configuration

Motorconfiguration	CSIR
Power supply (nominal)	220-240V/50Hz 1~
Refrigerant	R290
Application	MBP
Voltage range	198-254V
Starting torque	HST
Approvals	VDE CCC EAC

Electrical accessories / wiring diagram

CSIR

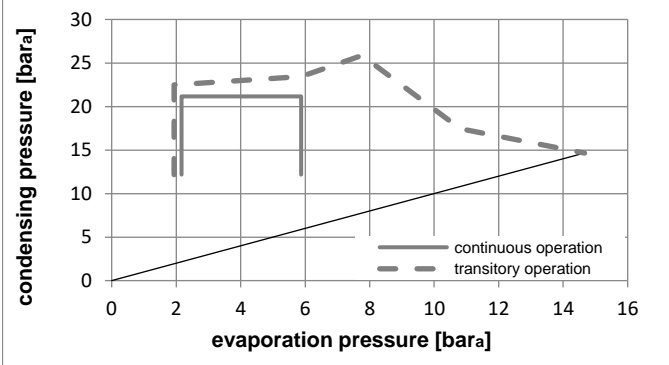
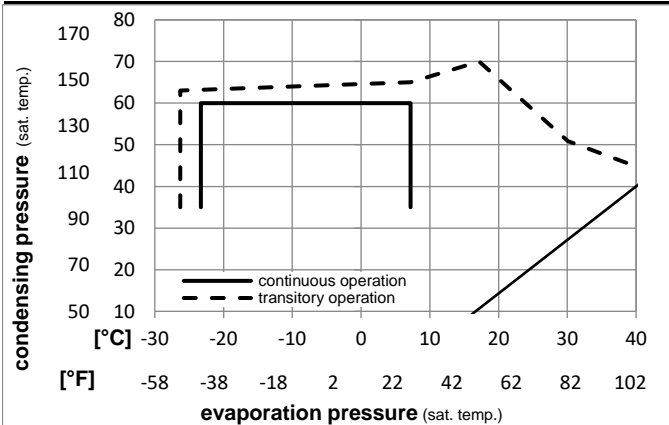


Ambient temperatures / system cooling

Ambient temperature min.:	10°C / 50°F
Ambient temperature max.:	43°C / 110°F

System cooling (n/a: outside limits)			
T ambient	LBP	MBP	HBP
32°C / 90°F	n/a	fan 3m/s	n/a
38°C / 100°F	n/a	fan 3m/s	n/a
43°C / 110°F	n/a	fan 3m/s	n/a

Operation pressure range



Components

a2	current relay	117U7019
c	start capacitor (80μF)	117U5017
d	cord relief	103N1004
b	plastic cover	103N2009

Model

Designation **SC15MNX 220-240V/50Hz** Conf. 1 Sales code: **104H8575**

Optimization + standard conditions

220-240V/50Hz 1~, CSIR, fan 3m/s, VDE, CCC, EAC

	Evaporating pressure (saturation temperature)				Condensing pressure (saturation temperature)						Power consumption			ASHRAE MBP				
	pe	pc	RGT	Tliq	Cooling capacity			COP	EER	P1	I	Ref. mass flow						
	[°C]	[°F]	[°C]	[°F]	[W]	[Btu/h]	[kcal/h]	[W/W]	[Btu/Wh]	[kcal/Wh]	[W]	[A]	[kg/h]					
	-6,66	20	54,4	130	35	95	46,1	115	1188,0	4057	1022,4	1,75	5,97	1,50	680,0	3,96	13,55	
	-10	14	55	131	32	89,6	55	131	949,7	3243	817,3	1,45	4,96	1,25	653,8	3,84	12,01	cecomaf MBP
	-10	14	45	113	20	68	45	113	1046,5	3574	900,6	1,77	6,04	1,52	591,5	3,65	12,85	EN12900 MBP
	-6,66	20	48,9	120	18,3	65	48,9	120	1112,6	3800	957,5	1,74	5,94	1,50	639,8	3,84	14,45	ARI540 MBP
	-10	14	45	113	32	89,6	45	113	1089,5	3721	937,6	1,84	6,29	1,59	591,5	3,65	12,46	opt
	-25	-13	45	113	32	89,6	45	113	556,9	1902	479,2	1,43	4,90	1,23	388,4	3,15	6,28	opt

Performance tables

220-240V/50Hz 1~, CSIR, fan 3m/s, VDE, CCC, EAC

	pe	Cooling capacity			COP	EER	P1	I	m		
	[°C]	[°F]	[W]	[Btu/h]	[kcal/h]	[W/W]	[Btu/Wh]	[kcal/Wh]	[W]	[A]	[kg/h]
[°C / °F]	-23,3	-10	606,4	2071	521,9	1,43	4,88	1,23	424,3	3,21	6,85
cond. pressure	-20	-4	709,9	2424	610,9	1,47	5,02	1,27	482,9	3,33	8,04
pc= 45/113	-15	5	886,5	3028	762,9	1,62	5,53	1,39	547,9	3,50	10,09
return gas temp.	-10	14	1089,5	3721	937,6	1,84	6,29	1,59	591,5	3,65	12,46
RGT= 32/90	-5	23	1321,7	4514	1137,4	2,13	7,26	1,83	621,4	3,80	15,22
liquid temp	0	32	1585,8	5416	1364,8	2,46	8,39	2,11	645,5	3,93	18,39
Tliq= 45/113	7,2	45	2028,2	6927	1745,4	2,96	10,10	2,54	685,9	4,10	23,83
[°C / °F]	-23,3	-10	554,4	1893	477,1	1,22	4,16	1,05	455,1	3,25	6,91
cond. pressure	-20	-4	640,0	2186	550,8	1,23	4,20	1,06	520,7	3,40	8,00
pc= 55/131	-15	5	784,6	2680	675,2	1,31	4,49	1,13	597,4	3,63	9,86
return gas temp.	-10	14	949,7	3243	817,3	1,45	4,96	1,25	653,8	3,84	12,01
RGT= 32/90	-5	23	1138,1	3887	979,5	1,63	5,57	1,40	697,8	4,04	14,50
liquid temp	0	32	1352,7	4620	1164,1	1,83	6,27	1,58	737,2	4,22	17,37
Tliq= 55/131	7,2	45	1713,1	5851	1474,3	2,14	7,30	1,84	801,8	4,47	22,32