

SC18/18MLX MBP Twin Compressor R404A/R507 220-240V 50Hz

General

Code number	104L4100
Approvals	EN 60335-2-34, CCC, EAC
Compressors on pallet	18

Application

Application	MBP		
Frequency	Hz	50	60
Evaporating temperature	°C	-23.3 to 7.2	-
Voltage range	V	198 - 254	-
Max. condensing temperature continuous (short)	°C	55 (60)	-
Max. winding temperature continuous (short)	°C	130 (140)	-

Cooling requirements

Frequency	Hz	50			60		
Application		LBP	MBP	HBP	LBP	MBP	HBP
32°C		-	F2	-	-	-	-
38°C		-	F2	-	-	-	-
43°C		-	-	-	-	-	-
Remarks on application:							

Motor

Motor type	CSR		
LRA (rated after 4 sec. UL984) *, HST LST	A	2 x 23.6	-
Cut in Current *, HST LST	A	2 x 23.6	-
Resistance, main start winding (25°C)	Ω	3.4	14.4

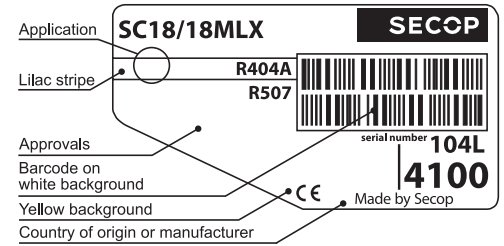
* Operational current for the second compressor time-delayed.

Design

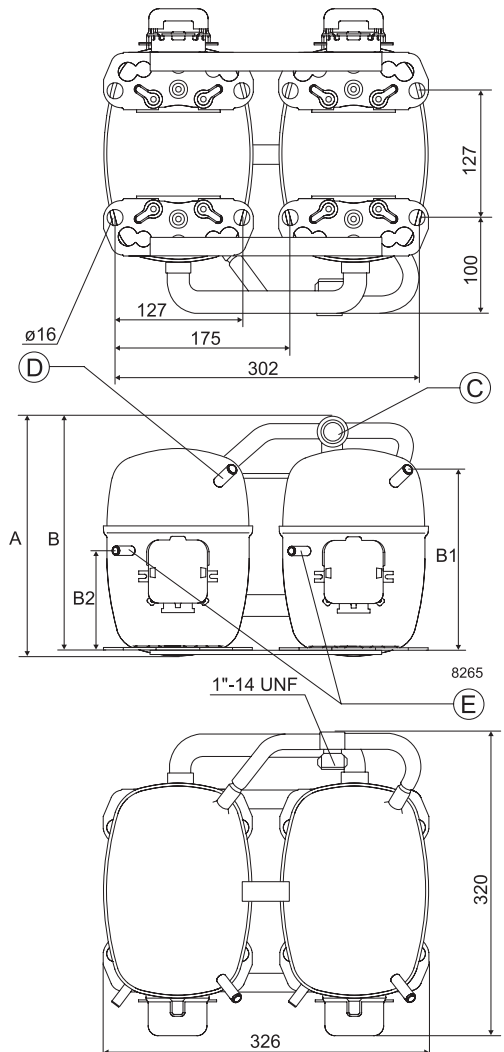
Displacement	cm ³	2 x 17.68
Oil quantity (type)	cm ³	1200 (polyolester)
Maximum refrigerant charge	g	2200
Free gas volume in compressor	cm ³	2920
Weight without electrical equipment	kg	29.1

Dimensions

Height	mm	A	259
		B	254
		B1	193
		B2	110
Suction connector (service valve)	location/I.D. mm	C	16
Suction connector (solder connector)	location/I.D. mm	C	16
Process connector	location/I.D. mm angle	D	6.2 37°
	material comment		Copper Rubber plug
Discharge connector	location/I.D. mm angle	E	6.2 37°
	material comment		Copper Rubber plug
Oil cooler connector	location/I.D. mm angle	F	-
	material comment		-
Connector tolerance	I.D. mm		±0.09
Remarks:			



- S = Static cooling normally sufficient
- O = Oil cooling
- F₁ = Fan cooling 1.5 m/s (compressor compartment temperature equal to ambient temperature)
- F₂ = Fan cooling 3.0 m/s necessary
- SG = Suction gas cooling normally sufficient
- = not applicable in this area



EN 12900 Household (CECOMAF)

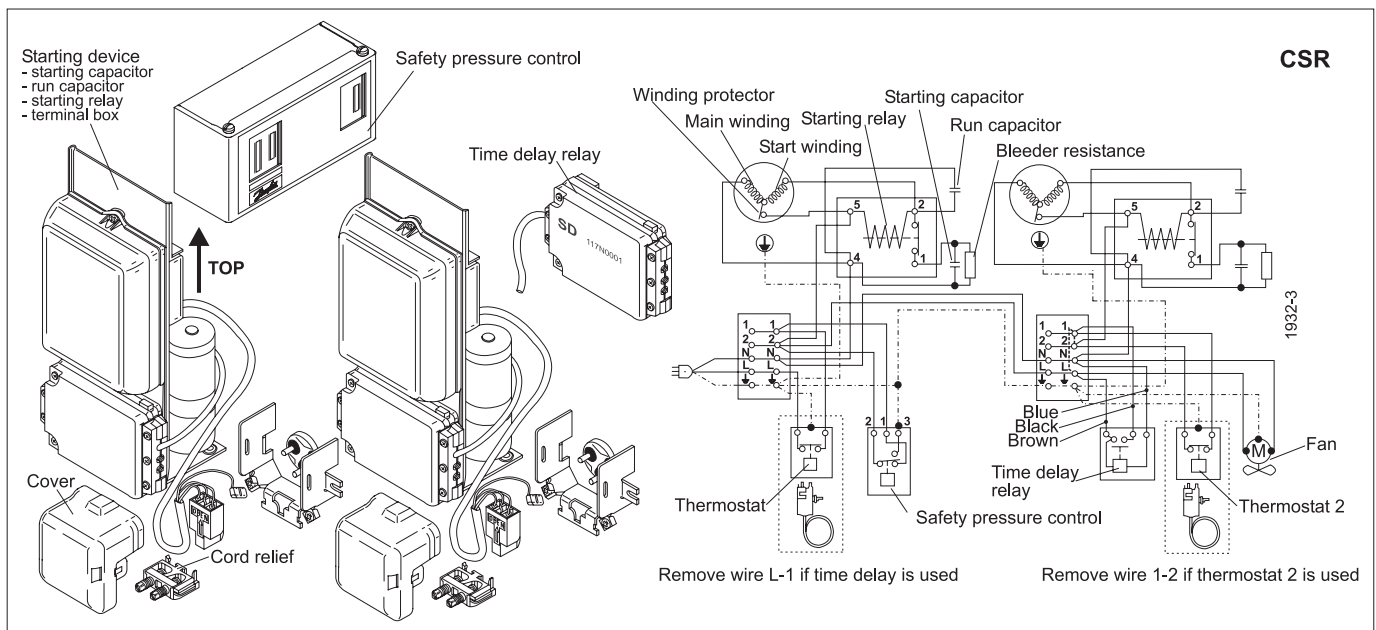
220V, 50Hz, fan cooling F₂

Evap. temp. in °C	-45	-40	-35	-30	-25	-23.3	-20	-15	-10	-6.7	-5	0	5	7.2	10	15	20
Capacity in W						1662	1937	2421	2994	3425	3664	4440	5330	5760			
Power cons. in W						1353	1443	1581	1720	1814	1862	2008	2160	2228			
Current cons. in A						7.14	7.52	8.14	8.80	9.25	9.49	10.2	11.0	11.4			
COP in W/W						1.23	1.34	1.53	1.74	1.89	1.97	2.21	2.47	2.59			

ASHRAE MBP

220V, 50Hz, fan cooling F₂

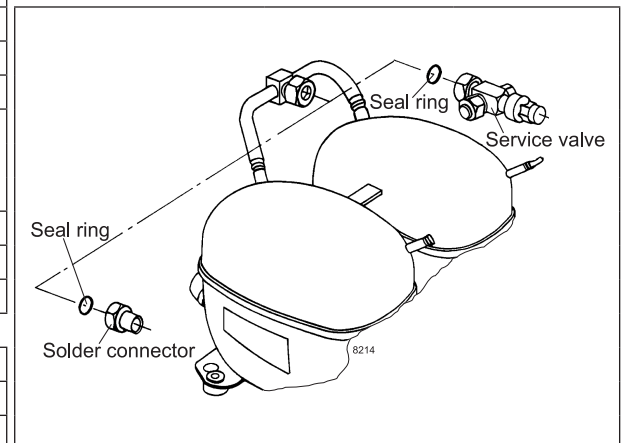
Evap. temp. in °C	-45	-40	-35	-30	-25	-23.3	-20	-15	-10	-6.7	-5	0	5	7.2	10	15	20
Capacity in W						1540	1794	2247	2791	3206	3438	4197	5081	5513			
Power cons. in W						1405	1513	1677	1841	1950	2007	2175	2347	2424			
Current cons. in A						7.40	7.84	8.55	9.30	9.81	10.1	10.9	11.8	12.2			
COP in W/W						1.10	1.19	1.34	1.52	1.64	1.71	1.93	2.17	2.27			



Accessories	SC18/18MLX	pcs.	Code number
Starting device	450 mm cable length	2	117-7027
	550 mm cable length		117-7046
	850 mm cable length		117-7040
Starting relay	6.3 mm spade connectors	2	Component of starting device
Start. capacitor 80 µF	6.3 mm spade connectors	2	
Cover		2	103N2009
Cord relief		2	103N1004
Time-delay relay		1	117N0001
Check valve (to be used with time-delay relay)		2	020-1014
Service valve	12 mm	1	-
Solder connector (alternative)	12 mm	1	-
Service valve	16 mm	1	118-7351
Solder connector (alternative)	16 mm	1	118-7405
Seal ring for service valve and solder connector		1	118-3638

Test conditions	EN 12900/CECOMAF	ASHRAE MBP
Condensing temperature	45°C	54.4°C
Ambient temperature	32°C	35°C
Suction gas temperature	32°C	35°C
Liquid temperature	no subcooling	46.1°C

Mounting accessories		pcs.	Code number
Bolt joint for one compressor	Ø: 16 mm	2	118-1917
Bolt joint in quantities	Ø: 16 mm	2	118-1918



Secop accepts no responsibility for possible errors in catalogs, brochures, and other printed material. Secop reserves the right to alter its products without notice. This also applies to products already on order provided that such alterations can be made without substantial changes being necessary to specifications already agreed. All trademarks in this material are the property of the respective companies. Secop and the Secop logotype are trademarks of Secop GmbH. All rights reserved. www.secop.com