

Model

Designation	SC18CLX.2	208-230V/60Hz 1~	Sales code:	104L2185
-------------	------------------	------------------	-------------	-----------------

Compressor design

Oil type	Polyolester	Refrigerant(s)	R404A, R507
Oil viscosity	32cSt	Displacement	17,69cm ³ / 1,08cu.in
Oil quantity	550cm ³ / 18,6fl.oz	Compressors on pallet	80
Refr. charge - tech. limit	1300g / 45,9oz		
Free gas volume comp.	1460cm ³ / 49,4fl.oz		
Weight	13,8kg / 30,4lbs		
Motor protection	1# internal		
Winding resistance main	2,69Ω (at 25°C)		
Winding resistance aux	9,49Ω (at 25°C)		
Max. winding temp.	125°C / 257°F		
Max. discharge temp.	130°C / 266°F		



General - Configurations with SC18CLX.2

Conf. 1	
Motorconfiguration	CSCR
Power supply (nominal)	208-240V/60Hz
Number of phases	1
Voltage range	187-254V
Approvals	UL, KC
Starting torque	HST
Note	Compressor with noise optimization kit.

Applications with SC18CLX.2

Conf. 1	
Refrigerant	R404A
Application	LBP
System cooling	fan 3m/s
Hot gas defrost	OK
Long interval pull down	OK

Electrical data - Configurations with SC18CLX.2

Conf. 1	
Starting device type	relay
Run capacitor	10μF
Start capacitor	80μF
LRA (locked rotor amps / 4s)	#NV
RLA (rated load amps / 1s)	#NV
Cut in current	#NV
IP class	21

Model

Designation

SC18CLX.2 208-230V/60Hz 1~

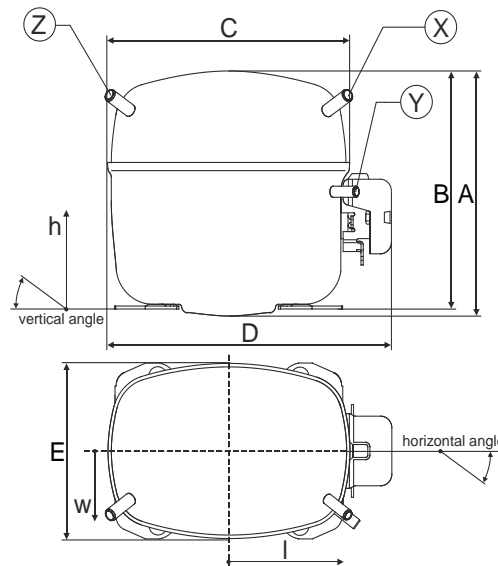
Sales code:

104L2185

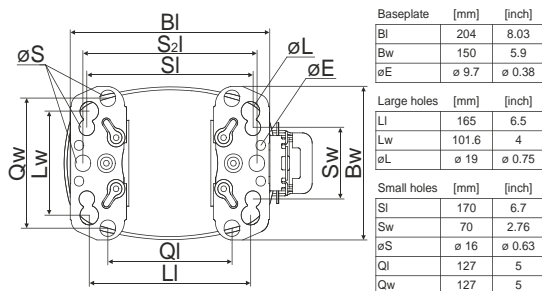
Compressor dimensions

Housing	A Height	219mm / 8,62in
	B Height	213mm / 8,39in
	C Length shell	239mm / 9,41in
	D Length w. cover	255mm / 10,04in
	E Width	151mm / 5,94in

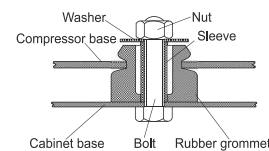
Connectors		Suction	Discharge	Process
		X	Y	Z
Diameter	[mm]	øi 9,54-9,72	øi 6,41-6,59	øi 6,41-6,59
	(i:inside, o:outside) [in]	øi 0,38-0,38	øi 0,25-0,26	øi 0,25-0,26
Material		copper	copper	copper
Horizontal angle	±2°	37°	37°	143°
Vertical angle	±2°	30°	0°	150°
Position l/h/w	[mm]	107/193/55	115/110/63	-107/193/55
	[in]	4,2/7,6/2,2	4,5/4,3/2,5	-4,2/7,6/2,2
Straight tube l.	[mm]	12	12	12
	[in]	0,5	0,5	0,5



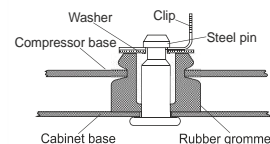
Compressor fixation



Bolt joint



Snap-on



Mounting accessories

	one comp.	multi pack
Bolt joint M6 ø16mm	118-1917	118-1918
Bolt joint ø1/4" ø16mm	118-1946	
Bolt joint ø1/4" ø19mm	118-1949	
Snap-on ø7,3 ø16mm	118-1947	118-1919

Application notes

LRA value on compressor label and datasheet may differ due to different test conditions for UL approval.

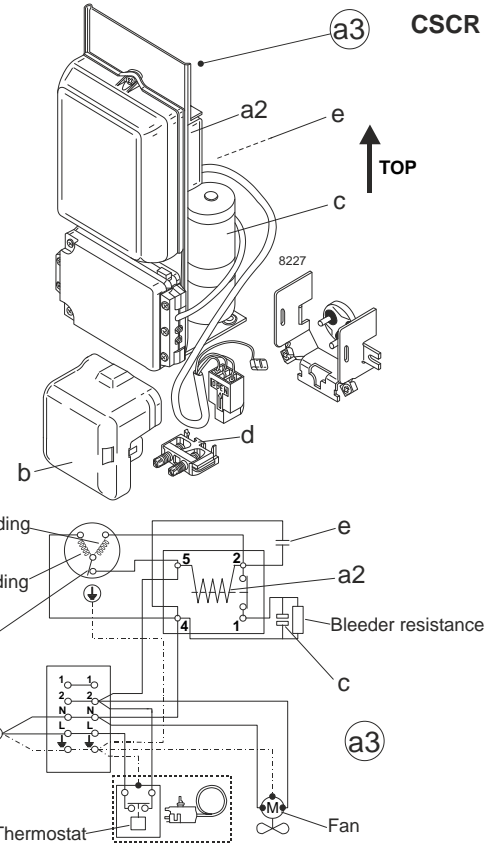
Model

Designation **SC18CLX.2** 208-240V/60Hz Conf. 1 Sales code: **104L2185**

Configuration

Motorconfiguration **CSCR**
 Power supply (nominal) **208-240V/60Hz 1~**
 Refrigerant **R404A**
 Application **LBP**
 Voltage range **187-254V**
 Starting torque **HST**
 Approvals **UL SA3693**
KC

Electrical accessories / wiring diagram

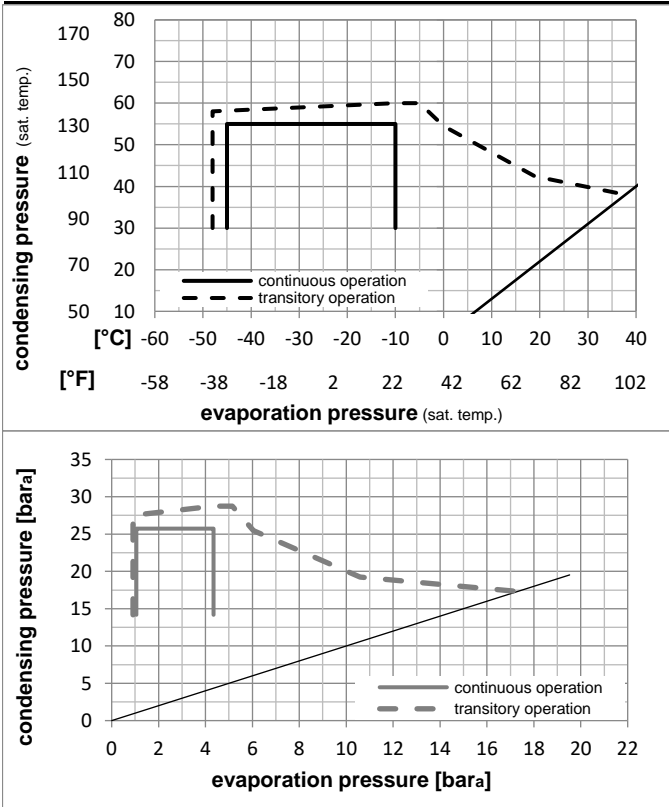


Ambient temperatures / system cooling

Ambient temperature min.: **10°C / 50°F**
 Ambient temperature max.: **38°C / 101°F**

System cooling (n/a: outside limits)			
T ambient	LBP	MBP	HBP
32°C / 90°F	fan 3m/s	n/a	n/a
38°C / 100°F	fan 3m/s	n/a	n/a
43°C / 110°F	n/a	n/a	n/a

Operation pressure range



Components

- a3 SC starter kit 117-7066
- b plastic cover 103N2009
- d cord relief 103N1004

Alternative components

- a2 potential relay (RVA 2GR134) 117-7445
- e run capacitor (10μF, 6.3mm) 117-7121
- c start capacitor (80μF) 117U5373
- b plastic cover 103N2009
- d cord relief 103N1004

Model

Designation **SC18CLX.2 208-240V/60Hz** Conf. 1 Sales code: **104L2185**

Optimization + standard conditions

230V/60Hz, CSCR, fan 3m/s, UL, KC

		Evaporating pressure (saturation temperature)				Condensing pressure (saturation temperature)						Power consumption			
		Return gas temp.				Liquid temp.						Current consumption		Ref. mass flow	
		Cooling capacity				COP		EER		P1	I	m			
	pe	pc	RGT	Tliq	[W]	[Btu/h]	[kcal/h]	[W/W]	[Btu/Wh]	[kcal/Wh]	[W]	[A]	[kg/h]		
[°C]	-23,3	54,4	32,2	32,2	1021,2	3488	878,9	1,37	4,67	1,18	746,4	3,54	23,79	ASHRAE LBP	
[°F]	-10	130	90	90											
[°C]	-25	55	32	55	691,4	2361	595,0	0,98	3,35	0,84	705,1	3,37	21,61	cecomaf LBP	
[°F]	-13	131	89,6	131											
[°C]	-35	40	20	40	522,2	1783	449,4	0,99	3,36	0,85	530,1	2,67	14,19	EN12900 LBP	
[°F]	-31	104	68	104											
[°C]	-23,3	48,9	4,44	48,9	756,8	2585	651,3	1,00	3,42	0,86	756,7	3,59	26,79	ARI540 LBP	
[°F]	-10	120	40	120											
[°C]	-23,3	40,6	32,2	32,2	1091,9	3729	939,7	1,52	5,19	1,31	718,0	3,42	25,44	AHAM LBP	
[°F]	-10	105	90	90											
[°C]	-35	45	32	45	481,4	1644	414,3	0,92	3,14	0,79	522,9	2,64	12,87	opt	
[°F]	-31	113	89,6	113											

Performance tables

230V/60Hz, CSCR, fan 3m/s, UL, KC

	pe	Cooling capacity			COP		EER		P1	I	m
	[°C]	[°F]	[W]	[Btu/h]	[kcal/h]	[W/W]	[Btu/Wh]	[kcal/Wh]	[W]	[A]	[kg/h]
[°C / °F]	-45	-49	92,2	315	79,3	0,31	1,07	0,27	294,0	1,73	2,45
cond. pressure	-34,4	-30	502,0	1714	432,0	0,94	3,21	0,81	534,3	2,68	13,43
pc= 45/113	-28,9	-20	710,2	2425	611,2	1,11	3,78	0,95	641,9	3,12	19,08
return gas temp.	-23,3	-10	932,8	3186	802,8	1,26	4,30	1,08	740,8	3,52	25,21
RGT= 32/90	-20,6	-5	1054,2	3600	907,3	1,34	4,57	1,15	787,9	3,71	28,58
liquid temp	-15	5	1326,7	4531	1141,7	1,51	5,15	1,30	879,7	4,09	36,24
Tliq= 45/113	-10	14	1615,9	5518	1390,6	1,68	5,74	1,45	961,7	4,44	44,50
[°C / °F]	-45	-49	-141,6	-484	-121,9	-0,92	-3,15	-0,79	153,4	1,11	-4,35
cond. pressure	-34,4	-30	335,3	1145	288,6	0,71	2,42	0,61	473,0	2,42	10,38
pc= 55/131	-28,9	-20	547,8	1871	471,4	0,89	3,04	0,77	614,6	3,00	17,04
return gas temp	-23,3	-10	753,2	2572	648,2	1,02	3,47	0,87	742,0	3,53	23,59
RGT= 32/90	-20,6	-5	858,0	2930	738,4	1,07	3,66	0,92	801,5	3,77	26,97
liquid temp	-15	5	1081,1	3692	930,4	1,18	4,04	1,02	913,9	4,25	34,28
Tliq= 55/131	-10	14	1307,5	4465	1125,3	1,29	4,42	1,11	1009,9	4,65	41,86