

SC18CLX.2 LBP Compressor R404A/R507 208-230V 60Hz

General

Code number	104L2185
Approvals	UL984
Compressors on pallet	80

Application

Application	LBP			
	Hz	50	60	
Frequency	Hz	50	60	
Evaporating temperature	°C	-	-45 to -10	
Voltage range	V	-	187 - 254	
Max. condensing temperature continuous (short)	°C	-	55 (60)	
Max. winding temperature continuous (short)	°C	-	125 (135)	

Cooling requirements

Frequency	Hz	50			60		
		LBP	MBP	HBP	LBP	MBP	HBP
32°C		-	-	-	F ₂	-	-
38°C		-	-	-	F ₂	-	-
43°C		-	-	-	F ₂	-	-
Remarks on application:							

Motor

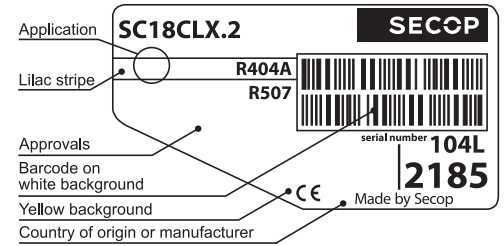
Motor type	CSR		
LRA (rated after 4 sec. UL984), HST LST	A	27.3	-
Cut in Current, HST LST	A	27.3	-
Resistance, main start winding (25°C)	Ω	2.6	9.5

Design

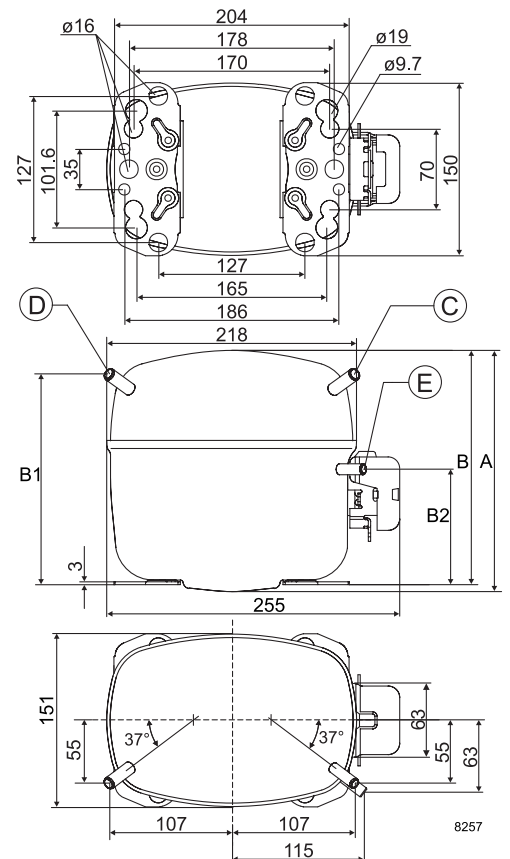
Displacement	cm ³	17.68
Oil quantity (type)	cm ³	600 (polyolester)
Maximum refrigerant charge	g	1300
Free gas volume in compressor	cm ³	1460
Weight without electrical equipment	kg	13.9

Dimensions

Height	mm	A	219
		B	213
		B1	193
		B2	110
Suction connector	location/I.D. mm angle	C	9.7 37°
		material comment	Copper Rubber plug
Process connector	location/I.D. mm angle	D	6.5 37°
		material comment	Copper Rubber plug
Discharge connector	location/I.D. mm angle	E	6.5 37°
		material comment	Copper Rubber plug
Oil cooler connector	location/I.D. mm angle	F	-
		material comment	-
Connector tolerance	I.D. mm		±0.09
Remarks:			



- S = Static cooling normally sufficient
- O = Oil cooling
- F₁ = Fan cooling 1.5 m/s (compressor compartment temperature equal to ambient temperature)
- F₂ = Fan cooling 3.0 m/s necessary
- SG = Suction gas cooling normally sufficient
- = not applicable in this area



EN 12900 LBP

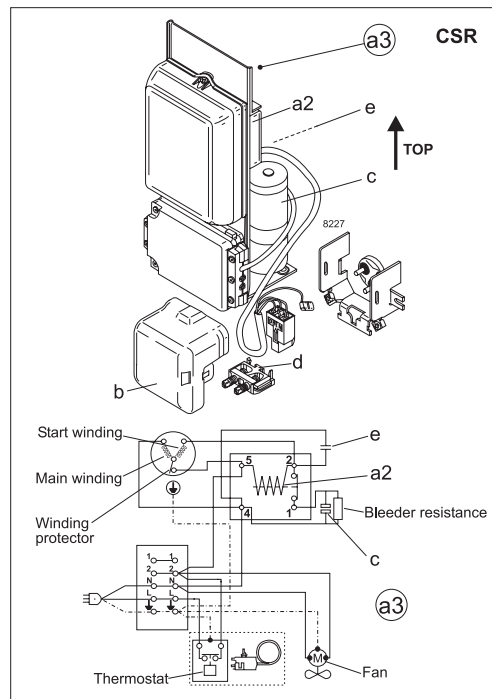
230V, 60Hz, fan cooling F₂

Evap. temp. in °C	-45	-40	-35	-30	-25	-23	-20	-15	-10	-6.7	-5	0	5	7.2	10	15	20
Capacity in W	183	355	522	696	887	957	1104	1358	1659								
Power cons. in W	338	439	530	613	690	716	765	838	914								
Current cons. in A	1.93	2.32	2.67	3.00	3.31	3.41	3.61	3.91	4.23								
COP in W/W	0.54	0.81	0.99	1.14	1.28	1.34	1.44	1.62	1.82								

ASHRAE LBP

230V, 60Hz, fan cooling F₂

Evap. temp. in °C	-45	-40	-35	-30	-25	-23	-20	-15	-10	-6.7	-5	0	5	7.2	10	15	20
Capacity in W		154	434	691	939	1024	1193	1468	1780								
Power cons. in W		325	467	594	710	747	817	917	1012								
Current cons. in A		1.81	2.39	2.92	3.39	3.55	3.84	4.26	4.66								
COP in W/W		0.47	0.93	1.16	1.32	1.37	1.46	1.60	1.76								



Accessories for	SC18CLX.2 (60 Hz)	Figure	Code number	Test conditions	EN 12900 LBP	ASHRAE LBP
Starting device	585 mm cable length	a3	117-7066	Condensing temperature	40°C	54.4°C
				Ambient temperature	32°C	32.2°C
				Suction gas temperature	20°C	32.2°C
				Liquid temperature	no subcooling	32.2°C
Cover		b	103N2008			
Starting relay	6.3 mm spade connectors	a2	Components of starting device			
Start. capacitor 80 µF	6.3 mm spade connectors	c				
Run capacitor 10 µF	6.3 mm spade connectors	e				
Cord relief		d	103N1004			
				Mounting accessories	Code number	
				Bolt joint for one comp.	Ø: 16 mm	118-1917
				Bolt joint in quantities	Ø: 16 mm	118-1918
				Snap-on in quantities	Ø: 16 mm	118-1919

Nidec GA Compressors accepts no responsibility for possible errors in catalogs, brochures, and other printed material. Nidec GA Compressors reserves the right to alter its products without notice. This also applies to products already on order provided that such alterations can be made without consequential changes being necessary to specifications already agreed. All trademarks in this material are the property of the respective companies. Secop and the Secop logotype are trademarks of Nidec Global Appliance Germany GmbH. All rights reserved. www.secop.com