

SC18GH Heat Pump Compressor R134a 220-240V 50/60Hz

General

Code number	104G8861
Approvals	EN 60335-2-34, UL984
Compressors on pallet	80

Application

Application	HBP			
	Hz	50	60	
Frequency	Hz	50	60	
Evaporating temperature	°C	-15 to 20	-15 to 15	
Voltage range	V	198 - 254	198 - 254	
Max. condensing temperature continuous (short)	°C	70 (70)	60 (70)	
Max. winding temperature continuous (short)	°C	125 (135)	125 (135)	

Cooling requirements

Frequency	Hz	50			60		
		LBP	MBP	HBP	LBP	MBP	HBP
32°C		-	-	F ₂	-	-	F ₂
38°C		-	-	F ₂	-	-	F ₂
43°C		-	-	F ₂	-	-	F ₂
Remarks on application:							

Motor

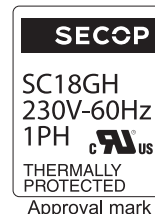
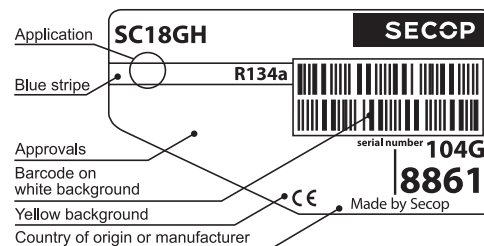
Motor type	CSR		
LRA (rated after 4 sec. UL984), HST LST	A	21.8	-
Cut in Current, HST LST	A	21.8	-
Resistance, main start winding (25°C)	Ω	3.5	12.9

Design

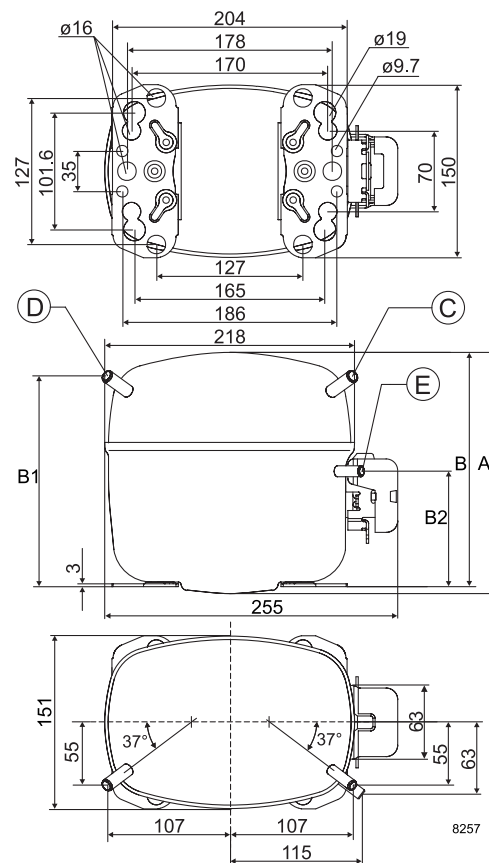
Displacement	cm ³	17.69
Oil quantity (type)	cm ³	500 (polyolester)
Maximum refrigerant charge	g	1300
Free gas volume in compressor	cm ³	1460
Weight without electrical equipment	kg	13.7

Dimensions

Height	mm	A			
		B	219		
Suction connector	location/I.D. mm angle	C	10.2 37°		
		material comment		Copper Rubber plug	
		Process connector	location/I.D. mm angle	D	6.2 37°
				material comment	
Discharge connector	location/I.D. mm angle	E	8.2 37°		
		material comment		Copper Rubber plug	
Oil cooler connector	location/I.D. mm angle	F	-		
material comment		-			
Connector tolerance	I.D. mm	±0.09			
Remarks:					



- S = Static cooling normally sufficient
- O = Oil cooling
- F₁ = Fan cooling 1.5 m/s (compressor compartment temperature equal to ambient temperature)
- F₂ = Fan cooling 3.0 m/s necessary
- SG = Suction gas cooling normally sufficient
- = not applicable in this area



EN 12900 Household (CECOMAF) 220V, 50Hz, fan cooling F₂

Evap. temp. in °C	-45	-40	-35	-30	-25	-23.3	-20	-15	-10	-6.7	-5	0	5	7.2	10	15	20
Capacity in W								485	639	758	825	1047	1310	1440	1618	1976	2389
Power cons. in W								404	452	485	503	554	605	626	651	692	724
Current cons. in A								2.44	2.66	2.79	2.86	3.06	3.26	3.34	3.45	3.63	3.80
COP in W/W								1.20	1.42	1.56	1.64	1.89	2.17	2.30	2.49	2.86	3.30

EN 12900 Household (CECOMAF) 220V, 60Hz, fan cooling F₂

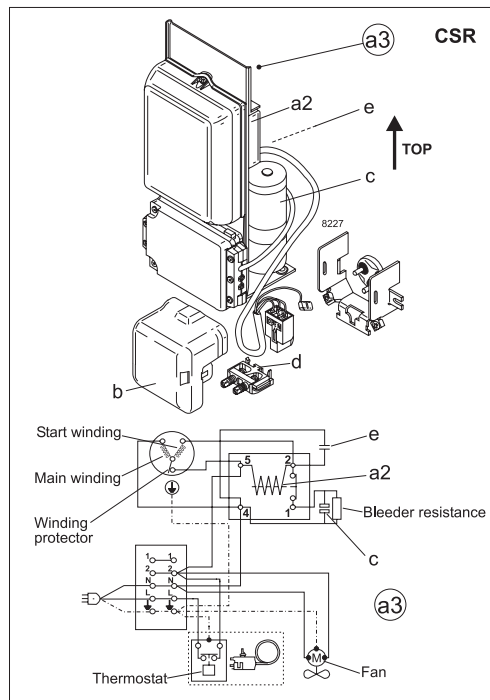
Evap. temp. in °C	-45	-40	-35	-30	-25	-23.3	-20	-15	-10	-6.7	-5	0	5	7.2	10	15	20
Capacity in W								573	745	879	955	1207	1506	1654	1858	2268	
Power cons. in W								449	511	554	577	643	708	736	770	826	
Current cons. in A								2.14	2.45	2.65	2.75	3.05	3.35	3.48	3.65	3.94	
COP in W/W								1.27	1.46	1.59	1.66	1.88	2.13	2.25	2.41	2.75	

ASHRAE HBP 220V, 50Hz, fan cooling F₂

Evap. temp. in °C	-45	-40	-35	-30	-25	-23.3	-20	-15	-10	-6.7	-5	0	5	7.2	10	15	20
Capacity in W								537	707	838	912	1157	1447	1591	1788	2183	2639
Power cons. in W								398	445	478	495	545	594	614	639	677	707
Current cons. in A								2.44	2.65	2.79	2.86	3.05	3.25	3.33	3.43	3.61	3.78
COP in W/W								1.35	1.59	1.75	1.84	2.12	2.44	2.59	2.80	3.22	3.73

ASHRAE HBP 220V, 60Hz, fan cooling F₂

Evap. temp. in °C	-45	-40	-35	-30	-25	-23.3	-20	-15	-10	-6.7	-5	0	5	7.2	10	15	20
Capacity in W								633	824	972	1056	1334	1665	1828	2054	2506	
Power cons. in W								444	505	547	569	633	696	723	756	810	
Current cons. in A								2.15	2.45	2.65	2.75	3.05	3.34	3.47	3.63	3.92	
COP in W/W								1.43	1.63	1.78	1.86	2.11	2.39	2.53	2.72	3.09	



Accessories for	SC18GH	Figure	Code number
Starting device	550 mm cable length	a3	117-7039
Cover		b	103N2008
Starting relay		a2	Components of starting device
Start. capacitor 80 µF		c	
Run capacitor		e	
Cord relief		d	103N1004

Test conditions	EN 12900/CECOMAF	ASHRAE HBP
Condensing temperature	55°C	54.4°C
Ambient temperature	32°C	35°C
Suction gas temperature	32°C	35°C
Liquid temperature	55°C	46.1°C

Mounting accessories		Code number
Bolt joint for one comp.	Ø: 16 mm	118-1917
Bolt joint in quantities	Ø: 16 mm	118-1918
Snap-on in quantities	Ø: 16 mm	118-1919

Nidec GA Compressors accepts no responsibility for possible errors in catalogs, brochures, and other printed material. Nidec GA Compressors reserves the right to alter its products without notice. This also applies to products already on order provided that such alterations can be made without consequential changes being necessary to specifications already agreed. All trademarks in this material are the property of the respective companies. Secop and the Secop logotype are trademarks of Nidec Global Appliance Germany GmbH. All rights reserved. www.secop.com