

SC21/21CL LBP Twin Compressor R404A/R507 220-240V 50Hz

General

Code number	104L4094
Approvals	EN 60335-2-34
Compressors on pallet	18

Application

Application	LBP			
Frequency	Hz	50	60	
Evaporating temperature	°C	-45 to -10	-	
Voltage range	V	198 - 254	-	
Max. condensing temperature continuous (short)	°C	55 (60)	-	
Max. winding temperature continuous (short)	°C	125 (135)	-	

Cooling requirements

Frequency	Hz	50			60		
Application		LBP	MBP	HBP	LBP	MBP	HBP
32°C		F ₂	-	-	-	-	-
38°C		F ₂	-	-	-	-	-
43°C		-	-	-	-	-	-
Remarks on application:							

Motor

Motor type	CSR		
LRA (rated after 4 sec. UL984) *, HST LST	A	2 x 23.4	-
Cut in Current *, HST LST	A	2 x 23.4	-
Resistance, main start winding (25°C)	Ω	3.4	14.4

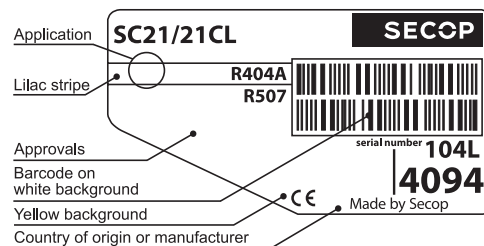
* Operational current for the second compressor time-delayed.

Design

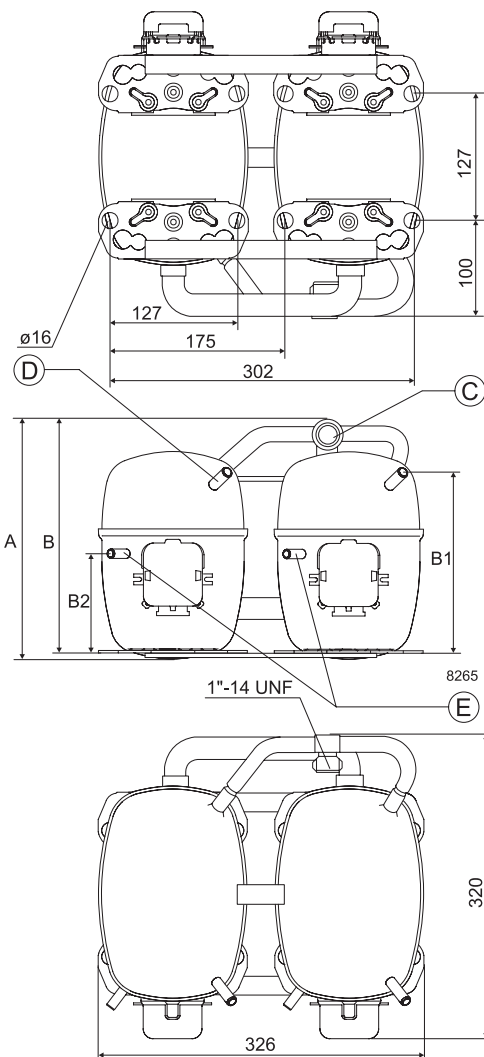
Displacement	cm ³	2 x 20.95
Oil quantity (type)	cm ³	1220 (polyolester)
Maximum refrigerant charge	g	2200
Free gas volume in compressor	cm ³	2920
Weight without electrical equipment	kg	29.1

Dimensions

Height	mm	A	259
		B	254
		B1	193
		B2	110
Suction connector (service valve)	location/I.D. mm	C	16 37°
Suction connector (solder connector)	location/I.D. mm	C	16 37°
Process connector	location/I.D. mm angle	D	6.2 37°
	material comment		Copper Rubber plug
Discharge connector	location/I.D. mm angle	E	6.2 37°
	material comment		Copper Rubber plug
Oil cooler connector	location/I.D. mm angle	F	-
	material comment		-
Connector tolerance	I.D. mm		±0.09
Remarks:			



- S = Static cooling normally sufficient
- O = Oil cooling
- F₁ = Fan cooling 1.5 m/s (compressor compartment temperature equal to ambient temperature)
- F₂ = Fan cooling 3.0 m/s necessary
- SG = Suction gas cooling normally sufficient
- = not applicable in this area

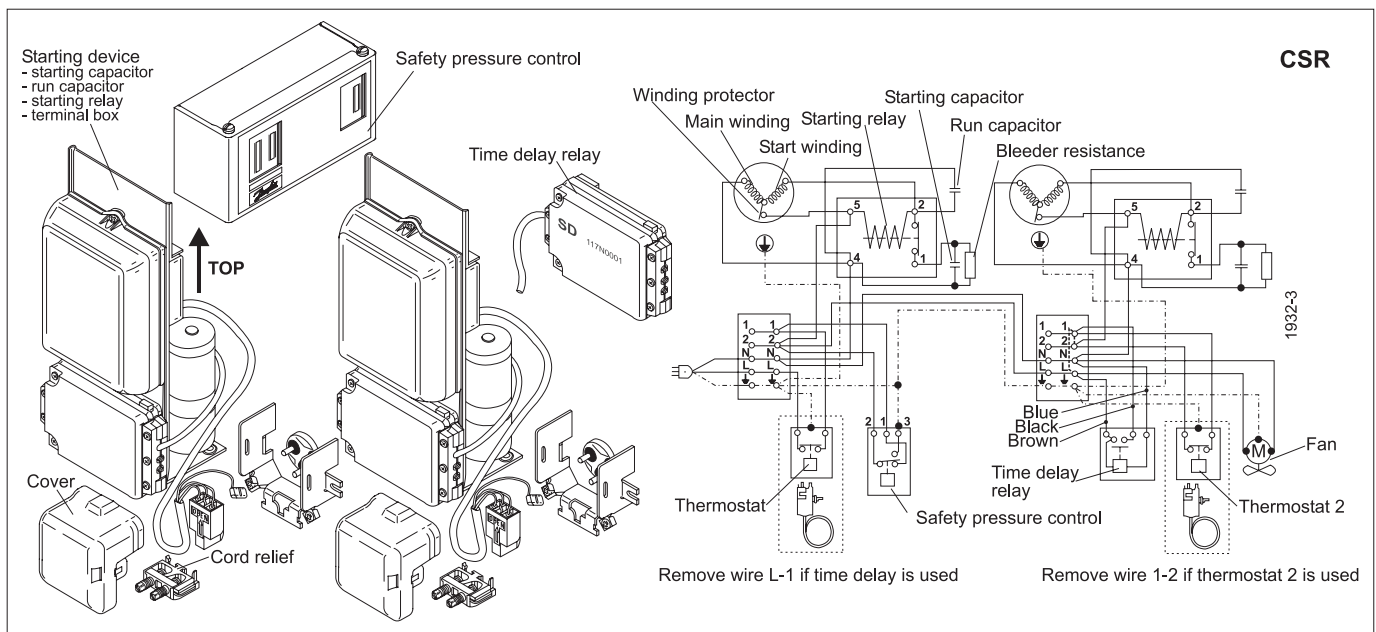


EN 12900 Household (CECOMAF)* 220V, 50Hz, fan cooling F₂

Evap. temp. in °C	-45	-40	-35	-30	-25	-23.3	-20	-15	-10	-6.7	-5	0	5	7.2	10	15	20
Capacity in W	452	650	910	1235	1626	1774	2084	2613	3213								
Power cons. in W	799	924	1068	1230	1404	1466	1589	1782	1978								
Current cons. in A	4.80	5.27	5.88	6.61	7.42	7.71	8.28	9.15	9.99								
COP in W/W	0.57	0.70	0.85	1.00	1.16	1.21	1.31	1.47	1.62								

ASHRAE LBP* 220V, 50Hz, fan cooling F₂

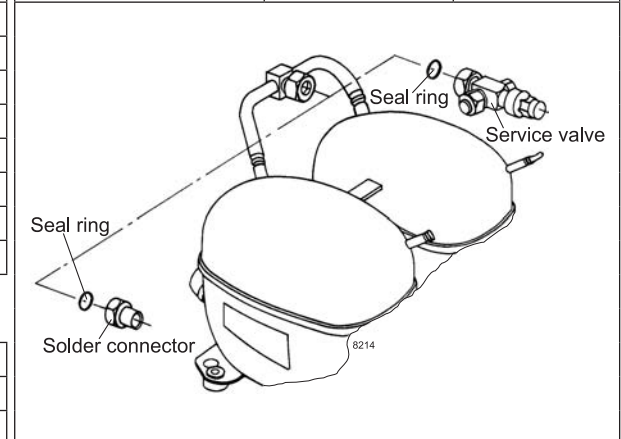
Evap. temp. in °C	-45	-40	-35	-30	-25	-23.3	-20	-15	-10	-6.7	-5	0	5	7.2	10	15	20
Capacity in W	525	755	1059	1437	1893	2068	2430	3049	3753								
Power cons. in W	799	924	1068	1230	1404	1466	1589	1782	1978								
Current cons. in A	4.80	5.27	5.88	6.61	7.42	7.71	8.28	9.15	9.99								
COP in W/W	0.66	0.82	0.99	1.17	1.35	1.41	1.53	1.71	1.90								



Accessories	SC21/21CL	pcs.	Code number
Starting device	550 mm cable length	2	117-7027
Starting relay	6.3 mm spade connectors	2	-
Start. capacitor 80 µF	6.3 mm spade connectors	2	-
Cover		2	103N2009
Cord relief		2	103N1004
Time-delay relay		1	117N0001
Check valve (to be used with time-delay relay)		2	020-1014
Service valve	12 mm	1	-
Solder connector (alternative)	12 mm	1	-
Service valve	16 mm	1	118-7351
Solder connector (alternative)	16 mm	1	118-7405
Seal ring for service valve and solder connector		1	118-3638

Mounting accessories		pcs.	Code number
Bolt joint for one compressor	Ø: 16 mm	2	118-1917
Bolt joint in quantities	Ø: 16 mm	2	118-1918

Test conditions	EN 12900/CECOMAF*	ASHRAE LBP*
Condensing temperature	45°C	45°C
Ambient temperature	32°C	32°C
Suction gas temperature	32°C	32°C
Liquid temperature	no subcooling	32°C



Nidec GA Compressors accepts no responsibility for possible errors in catalogs, brochures, and other printed material. Nidec GA Compressors reserves the right to alter its products without notice. This also applies to products already on order provided that such alterations can be made without consequential changes being necessary to specifications already agreed. All trademarks in this material are the property of the respective companies. Secop and the Secop logotype are trademarks of Nidec Global Appliance Germany GmbH. All rights reserved. www.secop.com