

EN 12900/CECOMAF

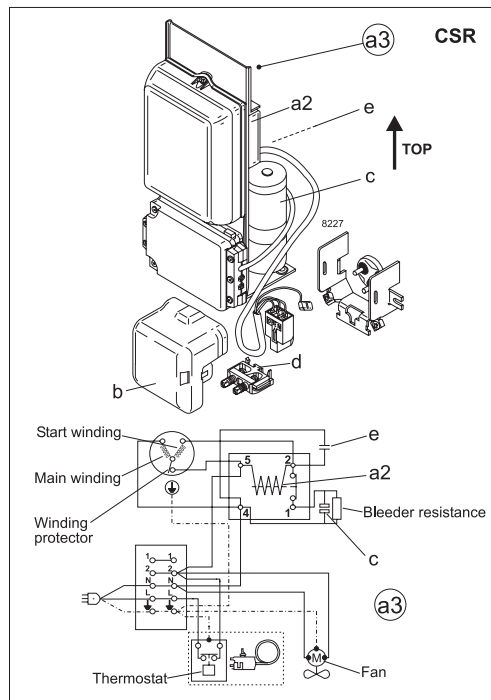
230V, 60Hz, fan cooling F₂

Evap. temp. in °C	-45	-40	-35	-30	-25	-23.3	-20	-15	-10	-6.7	-5	0	5	7.2	10	15	20
Capacity in W		219	458	665	856	920	1047	1252	1488	1668	1770						
Power cons. in W		326	519	657	758	786	836	906	985	1049	1087						
Current cons. in A		2.58	3.00	3.40	3.75	3.86	4.07	4.33	4.54	4.64	4.68						
COP in W/W		0.67	0.88	1.01	1.13	1.17	1.25	1.38	1.51	1.59	1.63						

ASHRAE LBP

230V, 60Hz, fan cooling F₂

Evap. temp. in °C	-45	-40	-35	-30	-25	-23.3	-20	-15	-10	-6.7	-5	0	5	7.2	10	15	20
Capacity in W		280	570	823	1059	1138	1295	1551	1847	2072	2200						
Power cons. in W		334	523	659	757	784	833	902	979	1042	1080						
Current cons. in A		2.59	3.01	3.40	3.75	3.86	4.06	4.32	4.53	4.63	4.67						
COP in W/W		0.84	1.09	1.25	1.40	1.45	1.56	1.72	1.89	1.99	2.04						



Accessories for	SC21CNLX.2	Figure	Code number	Test conditions	EN 12900/CECOMAF	ASHRAE LBP
Starting device	550 mm cable length	a3	117-7066	Condensing temperature	55°C	54.4°C
	1000 mm cable length		117-7850	Ambient temperature	32°C	32°C
Cover		b	103N2008	Suction gas temperature	32°C	32.2°C
				Liquid temperature	no subcooling	32.2°C
Starting relay	6.3 mm spade connectors	a2	Components of starting device	Mounting accessories		
Start. capacitor 80 µF	6.3 mm spade connectors	c		Bolt joint for one comp.	Ø: 16 mm	118-1917
Run capacitor 10 µF	6.3 mm spade connectors	e		Bolt joint in quantities	Ø: 16 mm	118-1918
Cord relief		d	103N1004	Snap-on in quantities	Ø: 16 mm	118-1919

Secop accepts no responsibility for possible errors in catalogs, brochures, and other printed material. Secop reserves the right to alter its products without notice. This also applies to products already on order provided that such alterations can be made without subsequential changes being necessary to specifications already agreed. All trademarks in this material are the property of the respective companies. Secop and the Secop logotype are trademarks of Secop GmbH. All rights reserved. www.secop.com