

SC21FTX Tropical Compressor R134a 208-230V 60Hz

General

Code number	104G8106
Approvals	EN 60335-2-34, UL984, KC
Compressors on pallet	80

Application

Application	LBP	
Frequency	Hz	50 60
Evaporating temperature	°C	- -35 to -5
Voltage range	V	- 187 - 254
Max. condensing temperature continuous (short)	°C	- 60 (70)
Max. winding temperature continuous (short)	°C	- 125 (135)

Cooling requirements

Frequency	Hz	50			60		
Application		LBP	MBP	HBP	LBP	MBP	HBP
32°C		-	-	-	F ₂	-	-
38°C		-	-	-	F ₂	-	-
43°C		-	-	-	F ₂	-	-
Remarks on application:							

Motor

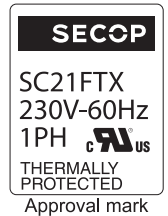
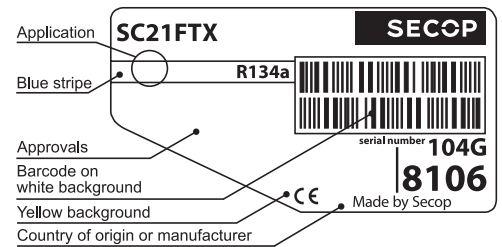
Motor type	CSR	
LRA (rated after 4 sec. UL984), HST LST	A	23.4 -
Cut in Current, HST LST	A	23.4 -
Resistance, main start winding (25°C)	Ω	3.4 14.4

Design

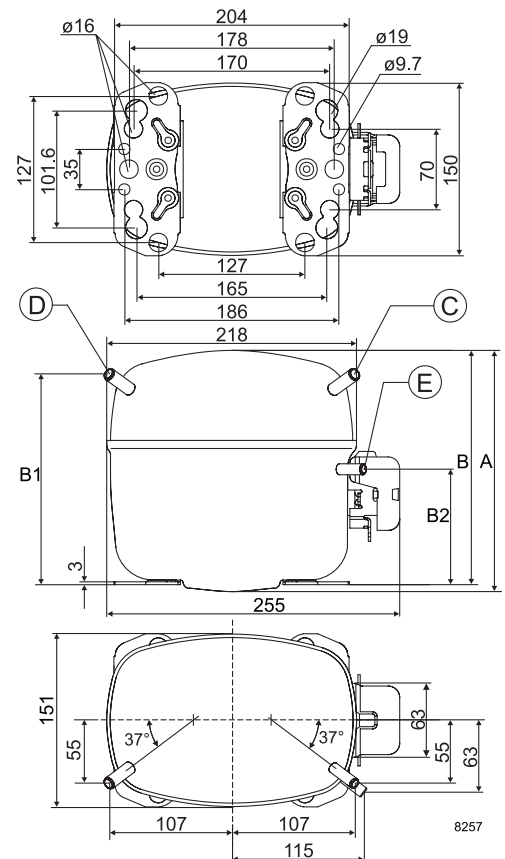
Displacement	cm ³	20.95
Oil quantity (type)	cm ³	550 (polyolester)
Maximum refrigerant charge	g	1300
Free gas volume in compressor	cm ³	1460
Weight without electrical equipment	kg	14.0

Dimensions

Height	mm	A	219
		B	213
		B1	193
		B2	110
Suction connector	location/I.D. mm angle	C	10.2 37°
	material comment		Copper Rubber plug
Process connector	location/I.D. mm angle	D	6.2 37°
	material comment		Copper Rubber plug
Discharge connector	location/I.D. mm angle	E	6.2 37°
	material comment		Copper Rubber plug
Oil cooler connector	location/I.D. mm angle	F	-
	material comment		-
Connector tolerance	I.D. mm		±0.09
Remarks:			



- S = Static cooling normally sufficient
- O = Oil cooling
- F₁ = Fan cooling 1.5 m/s
(compressor compartment temperature equal to ambient temperature)
- F₂ = Fan cooling 3.0 m/s necessary
- SG = Suction gas cooling normally sufficient
- = not applicable in this area

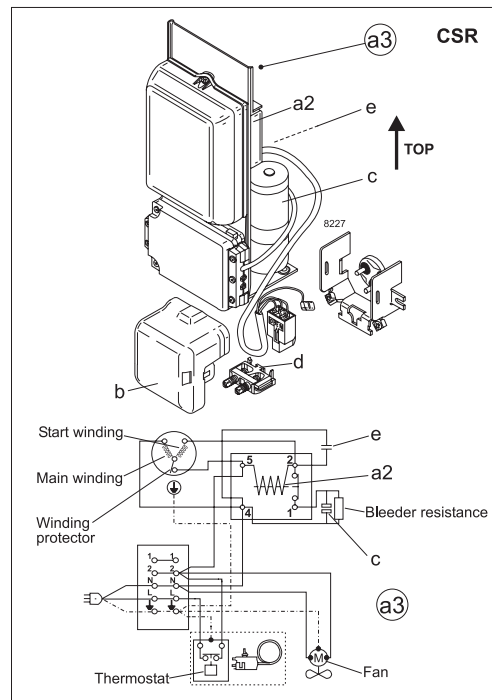


EN 12900 Household (CECOMAF) 220V, 60Hz, fan cooling F₂

Evap. temp. in °C	-45	-40	-35	-30	-25	-23.3	-20	-15	-10	-6.7	-5	0	5	7.2	10	15	20
Capacity in W			240	345	470	518	620	800	1012	1173	1262						
Power cons. in W			342	409	475	499	545	621	707	770	805						
Current cons. in A			1.66	1.95	2.25	2.36	2.58	2.93	3.30	3.55	3.69						
COP in W/W			0.70	0.84	0.99	1.04	1.14	1.29	1.43	1.52	1.57						

ASHRAE LBP 220V, 60Hz, fan cooling F₂

Evap. temp. in °C	-45	-40	-35	-30	-25	-23.3	-20	-15	-10	-6.7	-5	0	5	7.2	10	15	20
Capacity in W			296	425	580	639	766	988	1251	1450	1561						
Power cons. in W			342	409	475	499	545	621	707	770	805						
Current cons. in A			1.66	1.95	2.25	2.36	2.58	2.93	3.30	3.55	3.69						
COP in W/W			0.87	1.04	1.22	1.28	1.40	1.59	1.77	1.88	1.94						



Accessories for	SC21FTX	Figure	Code number
Starting device	550 mm cable length	a3	117-7039
	1000 mm cable length		117-7043
Cover		b	103N2008
Starting relay		a2	Components of starting device
Starting capacitor		c	
Run capacitor		e	
Cord relief		d	

Test conditions	EN 12900/CECOMAF	ASHRAE LBP
Condensing temperature	55°C	55°C
Ambient temperature	32°C	32°C
Suction gas temperature	32°C	32°C
Liquid temperature	55°C	32°C

Mounting accessories		Code number
Bolt joint for one comp.	Ø: 16 mm	118-1917
Bolt joint in quantities	Ø: 16 mm	118-1918
Snap-on in quantities	Ø: 16 mm	118-1919

Secop accepts no responsibility for possible errors in catalogs, brochures, and other printed material. Secop reserves the right to alter its products without notice. This also applies to products already on order provided that such alterations can be made without subsequential changes being necessary to specifications already agreed. All trademarks in this material are the property of the respective companies. Secop and the Secop logotype are trademarks of Secop GmbH. All rights reserved. www.secop.com