

Model

| | | | | |
|-------------|----------------|------------------|-------------|-----------------|
| Designation | SC21MFX | 220-240V/50Hz 1~ | Sales code: | 104G8120 |
|-------------|----------------|------------------|-------------|-----------------|

Compressor design

| | | | |
|----------------------------|---------------------------------|-----------------------|----------------------------------|
| Oil type | Polyolester | Refrigerant(s) | R134a, R513A |
| Oil viscosity | 22cST | Displacement | 20,95cm ³ / 1,28cu.in |
| Oil quantity | 546cm ³ / 18,5fl.oz | Compressors on pallet | 80 |
| Refr. charge - tech. limit | 1300g / 45,9oz | | |
| Free gas volume comp. | 1460cm ³ / 49,4fl.oz | | |
| Weight | 13,7kg / 30,2lbs | | |
| Motor protection | 1# internal | | |
| Winding resistance main | 3,4Ω (at 25°C) | | |
| Winding resistance aux | 14,4Ω (at 25°C) | | |
| Max. winding temp. | 125°C / 257°F | | |
| Max. discharge temp. | 130°C / 266°F | | |



General - Configurations with SC21MFX

| | Conf. 1 | Conf. 2 | Conf. 3 |
|------------------------|----------------|----------------|----------------|
| Motorconfiguration | CSIR | CSCR | CSIR |
| Power supply (nominal) | 220-240V/50Hz | 220-240V/50Hz | 220-240V/50Hz |
| Number of phases | 1 | 1 | 1 |
| Voltage range | 187-254V | 187-254V | 187-254V |
| Approvals | VDE, CCC, EAC | VDE, CCC, EAC | VDE, CCC, EAC |
| Starting torque | HST | HST | HST |
| Note | - / - | | |

Applications with SC21MFX

| | Conf. 1 | Conf. 2 | Conf. 3 |
|-------------------------|----------------|----------------|----------------|
| Refrigerant | R134a | R134a | R513A |
| Application | MBP | MBP | MBP |
| System cooling | fan 3m/s | fan 3m/s | fan 3m/s |
| Hot gas defrost | OK | OK | OK |
| Long interval pull down | OK | OK | OK |

Electrical data - Configurations with SC21MFX

| | Conf. 1 | Conf. 2 | Conf. 3 |
|------------------------------|----------------|----------------|----------------|
| Starting device type | relay | relay | relay |
| Run capacitor | - / - | 10μF | - / - |
| Start capacitor | 80μF | 80μF | 80μF |
| LRA (locked rotor amps / 4s) | 23,4A | 23,4A | 23,4A |
| RLA (rated load amps / 1s) | 4,3A | 4,3A | 4,3A |
| Cut in current | 23,4A | 23,4A | 23,4A |
| IP class | 21 | 21 | 21 |

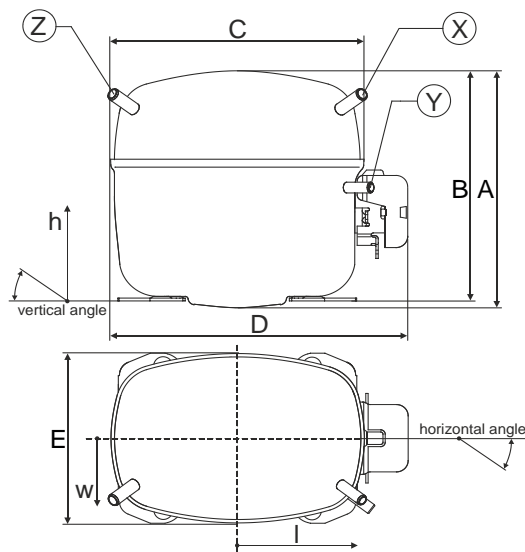
Model

| | | | | |
|-------------|----------------|------------------|-------------|-----------------|
| Designation | SC21MFX | 220-240V/50Hz 1~ | Sales code: | 104G8120 |
|-------------|----------------|------------------|-------------|-----------------|

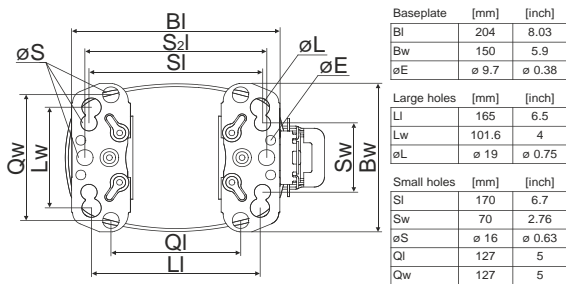
Compressor dimensions

| | | |
|----------------|-------------------|-----------------|
| Housing | A Height | 219mm / 8,62in |
| | B Height | 213mm / 8,39in |
| | C Length shell | 218mm / 8,58in |
| | D Length w. cover | 255mm / 10,04in |
| | E Width | 151mm / 5,94in |

| Connectors | Suction | Discharge | Process | |
|----------------------------|----------------|--------------|--------------|-----|
| | X | Y | Z | |
| Diameter [mm] | øi 10,11-10,29 | øi 6,11-6,29 | øi 6,11-6,29 | |
| (i:inside, o:outside) [in] | øi 0,4-0,41 | øi 0,24-0,25 | øi 0,24-0,25 | |
| Material | copper | copper | copper | |
| Horizontal angle ±2° | 37° | 37° | 143° | |
| Vertical angle ±2° | 30° | 0° | 150° | |
| Position l/h/w [mm] | 107/193/55 | 115/110/63 | -107/193/55 | |
| [in] | 4,2/7,6/2,2 | 4,5/4,3/2,5 | -4,2/7,6/2,2 | |
| Straight tube l. | [mm] | 12 | 12 | 12 |
| | [in] | 0,5 | 0,5 | 0,5 |

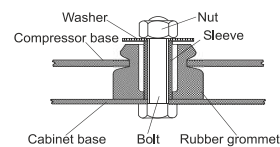


Compressor fixation

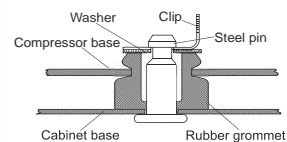


| Baseplate | [mm] | [inch] |
|-------------|-------|--------|
| BI | 204 | 8.03 |
| Bw | 150 | 5.9 |
| øE | ø 9.7 | ø 0.38 |
| Large holes | | |
| LI | 165 | 6.5 |
| Lw | 101.6 | 4 |
| øL | ø 19 | ø 0.75 |
| Small holes | | |
| SI | 170 | 6.7 |
| Sw | 70 | 2.76 |
| øS | ø 16 | ø 0.63 |
| QI | 127 | 5 |
| Qw | 127 | 5 |

Bolt joint



Snap-on



Mounting accessories

| | one comp. | multi pack |
|----------------------------|-----------|------------|
| Bolt joint M6 ø16mm | 118-1917 | 118-1918 |
| Bolt joint ø1/4" ø16mm | 118-1946 | |
| Bolt joint ø1/4" ø19mm | 118-1949 | |
| Snap-on ø7,3 ø16mm | 118-1947 | 118-1919 |

Model

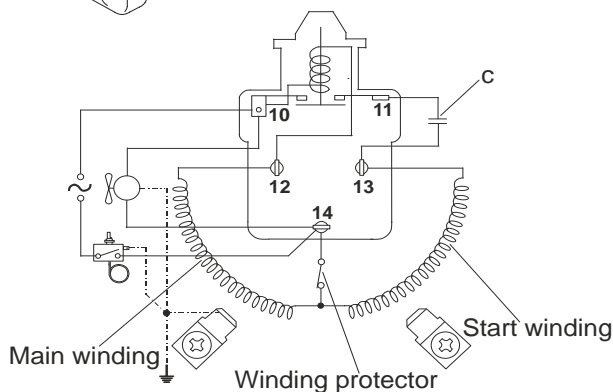
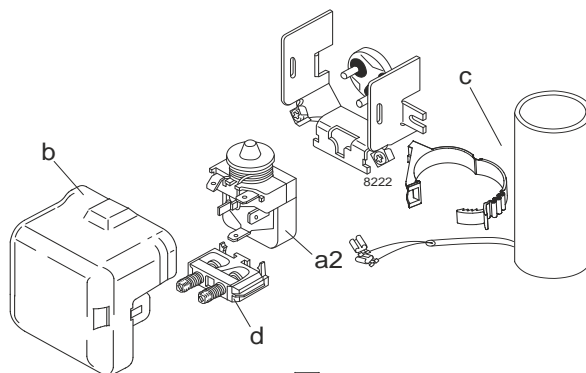
| | | | | | |
|-------------|----------------|----------------------|----------------|-------------|-----------------|
| Designation | SC21MFX | 220-240V/50Hz | Conf. 1 | Sales code: | 104G8120 |
|-------------|----------------|----------------------|----------------|-------------|-----------------|

Configuration

| | |
|------------------------|-------------------|
| Motorconfiguration | CSIR |
| Power supply (nominal) | 220-240V/50Hz 1~ |
| Refrigerant | R134a |
| Application | MBP |
| Voltage range | 187-254V |
| Starting torque | HST |
| Approvals | VDE CCC EAC |

Electrical accessories / wiring diagram

CSIR

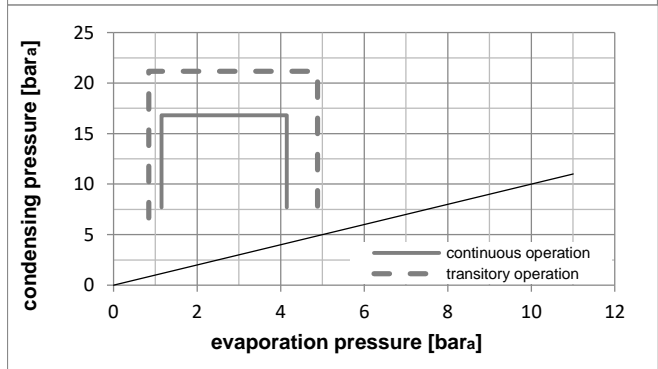
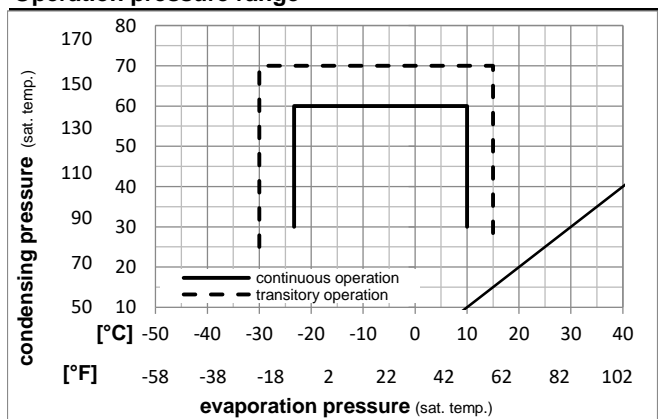


Ambient temperatures / system cooling

| | |
|---------------------------|--------------|
| Ambient temperature min.: | 10°C / 50°F |
| Ambient temperature max.: | 43°C / 110°F |

| System cooling (n/a: outside limits) | | | |
|--------------------------------------|-----|----------|-----|
| T ambient | LBP | MBP | HBP |
| 32°C / 90°F | n/a | fan 3m/s | n/a |
| 38°C / 100°F | n/a | fan 3m/s | n/a |
| 43°C / 110°F | n/a | fan 3m/s | n/a |

Operation pressure range



Components

| | | |
|----|------------------------|----------|
| a2 | relay | 117U6019 |
| c | start capacitor (80µF) | 117U5017 |
| d | cord relief | 103N1004 |
| b | plastic cover | 103N2009 |

Model

Designation **SC21MFX 220-240V/50Hz** Conf. 1 Sales code: **104G8120**

Optimization + standard conditions

R134a, 220V/50Hz, CSIR, fan 3m/s, VDE, CCC, EAC

| Evaporating pressure (saturation temperature) | | | | | | | | | | | | | | |
|---|-------|------|------|------|--------|---------|----------|-------|----------|-----------|-------|------|--------|----------------|
| Condensing pressure (saturation temperature) | | | | | | | | | | | | | | |
| Return gas temp. | | | | | | | | | | | | | | |
| Liquid temp. | | | | | | | | | | | | | | |
| Cooling capacity | | | | | | | | | | | | | | |
| COP | | | | | | | | | | | | | | |
| EER | | | | | | | | | | | | | | |
| Power consumption | | | | | | | | | | | | | | |
| Current consumption | | | | | | | | | | | | | | |
| Ref. mass flow | | | | | | | | | | | | | | |
| | pe | pc | RGT | Tliq | [W] | [Btu/h] | [kcal/h] | [W/W] | [Btu/Wh] | [kcal/Wh] | P1 | I | m | |
| [°C] | [°C] | [°C] | [°C] | [°C] | | | | | | | [W] | [A] | [kg/h] | |
| [°F] | 20 | 130 | 95 | 115 | 1082,2 | 3696 | 931,4 | 1,65 | 5,63 | 1,42 | 656,3 | 4,48 | 23,61 | ASHRAE MBP |
| [°C] | -10 | 55 | 32 | 55 | 840,0 | 2869 | 722,9 | 1,37 | 4,66 | 1,18 | 615,0 | 4,35 | 20,31 | cecomaf MBP |
| [°F] | 14 | 131 | 89,6 | 131 | | | | | | | | | | |
| [°C] | -10 | 45 | 20 | 45 | 940,6 | 3212 | 809,5 | 1,62 | 5,52 | 1,39 | 581,7 | 4,18 | 22,02 | EN12900 MBP |
| [°F] | 14 | 113 | 68 | 113 | | | | | | | | | | |
| [°C] | -6,66 | 48,9 | 18,3 | 48,9 | 1024,1 | 3497 | 881,3 | 1,61 | 5,51 | 1,39 | 634,5 | 4,37 | 25,30 | ARI540 MBP |
| [°F] | 20 | 120 | 65 | 120 | | | | | | | | | | |
| [°C] | -10 | 45 | 32 | 45 | 975,9 | 3333 | 839,8 | 1,68 | 5,73 | 1,44 | 581,7 | 4,18 | 21,36 | opt |
| [°F] | 14 | 113 | 89,6 | 113 | | | | | | | | | | |
| [°C] | -25 | 45 | 32 | 45 | 464,8 | 1587 | 400,0 | 1,14 | 3,88 | 0,98 | 408,8 | 3,47 | 10,07 | opt |
| [°F] | -13 | 113 | 89,6 | 113 | | | | | | | | | | |

Performance tables

R134a, 220V/50Hz, CSIR, fan 3m/s, VDE, CCC, EAC

| | pe | | Cooling capacity | | | COP | | | EER | | | P1 | | I | m |
|------------------|-------|------|------------------|---------|----------|-------|----------|-----------|-------|------|--------|----|--|---|---|
| | [°C] | [°F] | [W] | [Btu/h] | [kcal/h] | [W/W] | [Btu/Wh] | [kcal/Wh] | [W] | [A] | [kg/h] | | | | |
| [°C / °F] | -23,3 | -10 | 509,3 | 1739 | 438,3 | 1,19 | 4,06 | 1,02 | 428,3 | 3,55 | 11,04 | | | | |
| cond. pressure | -20 | -4 | 604,5 | 2065 | 520,3 | 1,30 | 4,43 | 1,12 | 466,1 | 3,72 | 13,13 | | | | |
| pc= 45/113 | -15 | 5 | 773,4 | 2641 | 665,6 | 1,48 | 5,04 | 1,27 | 523,6 | 3,95 | 16,86 | | | | |
| return gas temp. | -10 | 14 | 975,9 | 3333 | 839,8 | 1,68 | 5,73 | 1,44 | 581,7 | 4,18 | 21,36 | | | | |
| RGT= 32/90 | 0 | 32 | 1498,6 | 5118 | 1289,7 | 2,14 | 7,30 | 1,84 | 701,4 | 4,59 | 33,14 | | | | |
| liquid temp | 5 | 41 | 1827,7 | 6242 | 1572,9 | 2,39 | 8,17 | 2,06 | 763,7 | 4,78 | 40,69 | | | | |
| Tliq= 45/113 | 10 | 50 | 2207,7 | 7540 | 1900,0 | 2,67 | 9,10 | 2,29 | 828,2 | 4,96 | 49,54 | | | | |
| [°C / °F] | -23,3 | -10 | 429,7 | 1467 | 369,8 | 0,97 | 3,33 | 0,84 | 441,3 | 3,69 | 10,28 | | | | |
| cond. pressure | -20 | -4 | 513,5 | 1754 | 441,9 | 1,06 | 3,62 | 0,91 | 484,7 | 3,86 | 12,32 | | | | |
| pc= 55/131 | -15 | 5 | 661,9 | 2261 | 569,7 | 1,20 | 4,11 | 1,04 | 550,0 | 4,11 | 15,93 | | | | |
| return gas temp | -10 | 14 | 840,0 | 2869 | 722,9 | 1,37 | 4,66 | 1,18 | 615,0 | 4,35 | 20,31 | | | | |
| RGT= 32/90 | 0 | 32 | 1302,7 | 4449 | 1121,1 | 1,75 | 5,96 | 1,50 | 746,0 | 4,79 | 31,87 | | | | |
| liquid temp | 5 | 41 | 1596,0 | 5451 | 1373,6 | 1,96 | 6,71 | 1,69 | 812,7 | 4,99 | 39,33 | | | | |
| Tliq= 55/131 | 10 | 50 | 1936,4 | 6613 | 1666,5 | 2,20 | 7,51 | 1,89 | 880,8 | 5,18 | 48,14 | | | | |

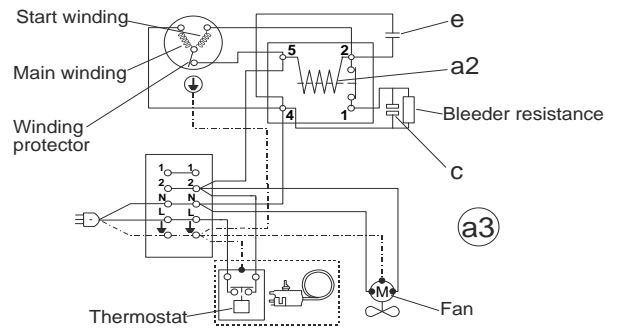
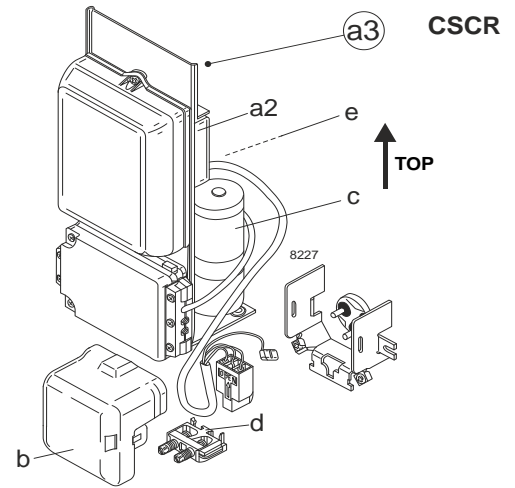
Model

| | | | | | |
|-------------|----------------|----------------------|----------------|-------------|-----------------|
| Designation | SC21MFX | 220-240V/50Hz | Conf. 2 | Sales code: | 104G8120 |
|-------------|----------------|----------------------|----------------|-------------|-----------------|

Configuration

| | |
|------------------------|-------------------|
| Motorconfiguration | CSCR |
| Power supply (nominal) | 220-240V/50Hz 1~ |
| Refrigerant | R134a |
| Application | MBP |
| Voltage range | 187-254V |
| Starting torque | HST |
| Approvals | VDE CCC EAC |

Electrical accessories / wiring diagram



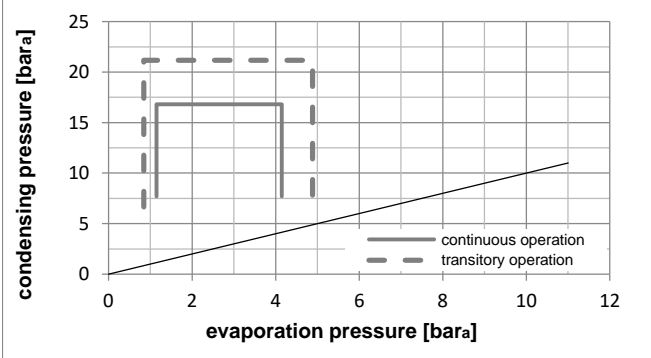
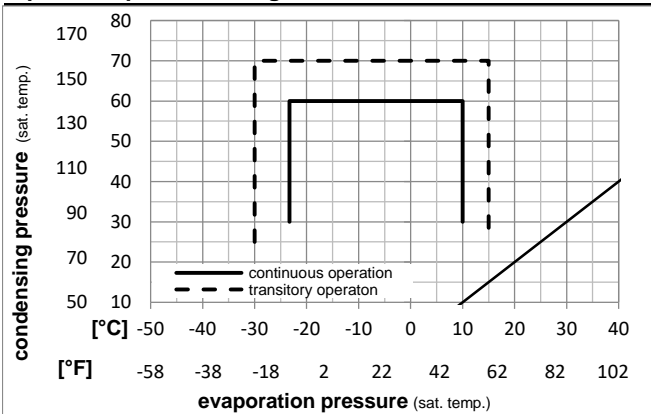
Ambient temperatures / system cooling

| | |
|---------------------------|--------------|
| Ambient temperature min.: | 10°C / 50°F |
| Ambient temperature max.: | 43°C / 110°F |

System cooling (n/a: outside limits)

| T ambient | LBP | MBP | HBP |
|--------------|-----|----------|-----|
| 32°C / 90°F | n/a | fan 3m/s | n/a |
| 38°C / 100°F | n/a | fan 3m/s | n/a |
| 43°C / 110°F | n/a | fan 3m/s | n/a |

Operation pressure range



Components

| | | |
|----|------------------------|----------|
| a3 | SC starter kit (550mm) | 117-7039 |
| b | plastic cover | 103N2009 |
| d | cord relief | 103N1004 |

Alternative components

| | | |
|----|-------------------------|----------|
| a3 | SC starter kit (1000mm) | 117-7043 |
|----|-------------------------|----------|

Model

Designation **SC21MFX 220-240V/50Hz** Conf. **2** Sales code: **104G8120**

Optimization + standard conditions

R134a, 220V/50Hz, CSCR, fan 3m/s, VDE, CCC, EAC

| Evaporating pressure (saturation temperature) | | | | | Condensing pressure (saturation temperature) | | | | | | Power consumption | | | | |
|---|------|------|------|------|--|---------|----------|--------------|----------|-----------|---------------------|------|--------|----------------|--|
| | | | | | Return gas temp. | | | Liquid temp. | | | Current consumption | | | Ref. mass flow | |
| | | | | | Cooling capacity | | | COP | EER | P1 | | | I | m | |
| | pe | pc | RGT | Tliq | [W] | [Btu/h] | [kcal/h] | [W/W] | [Btu/Wh] | [kcal/Wh] | [W] | [A] | [kg/h] | | |
| [°C] | -6,7 | 54,4 | 35 | 46,1 | 1115,5 | 3810 | 960,1 | 1,76 | 6,01 | 1,52 | 633,6 | 3,69 | 24,34 | ASHRAE MBP | |
| [°F] | 20 | 130 | 95 | 115 | | | | | | | | | | | |
| [°C] | -10 | 55 | 32 | 55 | 866,0 | 2957 | 745,2 | 1,46 | 4,98 | 1,25 | 594,0 | 3,52 | 20,94 | cecmaf MBP | |
| [°F] | 14 | 131 | 89,6 | 131 | | | | | | | | | | | |
| [°C] | -10 | 45 | 20 | 45 | 969,6 | 3311 | 834,4 | 1,73 | 5,89 | 1,48 | 562,1 | 3,28 | 22,70 | EN12900 MBP | |
| [°F] | 14 | 113 | 68 | 113 | | | | | | | | | | | |
| [°C] | -6,7 | 48,9 | 18,3 | 48,9 | 1055,5 | 3605 | 908,4 | 1,72 | 5,88 | 1,48 | 612,7 | 3,52 | 26,07 | ARI540 MBP | |
| [°F] | 20 | 120 | 65 | 120 | | | | | | | | | | | |
| [°C] | -10 | 45 | 32 | 45 | 1005,9 | 3435 | 865,7 | 1,79 | 6,11 | 1,54 | 562,1 | 3,28 | 22,01 | opt | |
| [°F] | 14 | 113 | 89,6 | 113 | | | | | | | | | | | |
| [°C] | -25 | 45 | 32 | 45 | 479,3 | 1637 | 412,5 | 1,21 | 4,13 | 1,04 | 396,2 | 2,38 | 10,38 | opt | |
| [°F] | -13 | 113 | 89,6 | 113 | | | | | | | | | | | |

Performance tables

R134a, 220V/50Hz, CSCR, fan 3m/s, VDE, CCC, EAC

| | pe | Cooling capacity | | | COP | EER | P1 | | | I | m |
|------------------|------|------------------|--------|---------|----------|-------|----------|-----------|-------|------|--------|
| | [°C] | [°F] | [W] | [Btu/h] | [kcal/h] | [W/W] | [Btu/Wh] | [kcal/Wh] | [W] | [A] | [kg/h] |
| [°C / °F] | -23 | -10 | 525,2 | 1794 | 452,0 | 1,27 | 4,32 | 1,09 | 414,8 | 2,49 | 11,39 |
| cond. pressure | -20 | -4 | 623,3 | 2129 | 536,4 | 1,38 | 4,72 | 1,19 | 451,1 | 2,69 | 13,54 |
| pc= 45/113 | -15 | 5 | 797,3 | 2723 | 686,2 | 1,57 | 5,38 | 1,36 | 506,3 | 2,99 | 17,38 |
| return gas temp. | -10 | 14 | 1005,9 | 3435 | 865,7 | 1,79 | 6,11 | 1,54 | 562,1 | 3,28 | 22,01 |
| RGT= 32/90 | 0 | 32 | 1544,5 | 5275 | 1329,2 | 2,28 | 7,79 | 1,96 | 676,9 | 3,80 | 34,16 |
| liquid temp | 5 | 41 | 1883,5 | 6433 | 1621,0 | 2,56 | 8,73 | 2,20 | 736,7 | 4,04 | 41,93 |
| Tliq= 45/113 | 10 | 50 | 2275,0 | 7770 | 1957,9 | 2,85 | 9,73 | 2,45 | 798,5 | 4,26 | 51,05 |
| [°C / °F] | -23 | -10 | 443,2 | 1513 | 381,4 | 1,04 | 3,54 | 0,89 | 427,3 | 2,65 | 10,61 |
| cond. pressure | -20 | -4 | 529,5 | 1808 | 455,7 | 1,13 | 3,86 | 0,97 | 468,9 | 2,88 | 12,70 |
| pc= 55/131 | -15 | 5 | 682,4 | 2331 | 587,3 | 1,28 | 4,38 | 1,10 | 531,6 | 3,21 | 16,43 |
| return gas temp | -10 | 14 | 866,0 | 2957 | 745,2 | 1,46 | 4,98 | 1,25 | 594,0 | 3,52 | 20,94 |
| RGT= 32/90 | 0 | 32 | 1342,7 | 4585 | 1155,5 | 1,87 | 6,37 | 1,61 | 719,7 | 4,10 | 32,84 |
| liquid temp | 5 | 41 | 1644,8 | 5617 | 1415,6 | 2,10 | 7,17 | 1,81 | 783,7 | 4,36 | 40,53 |
| Tliq= 55/131 | 10 | 50 | 1995,6 | 6815 | 1717,4 | 2,35 | 8,03 | 2,02 | 849,0 | 4,61 | 49,61 |

Model

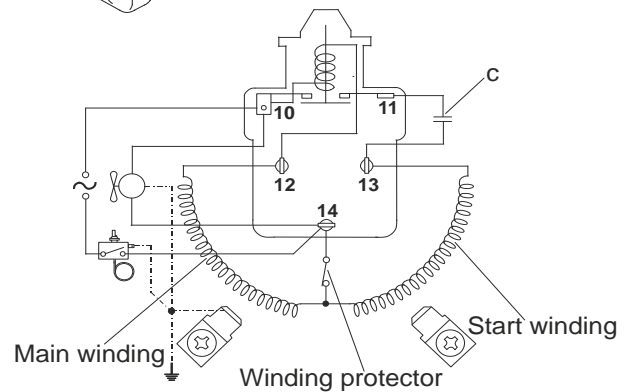
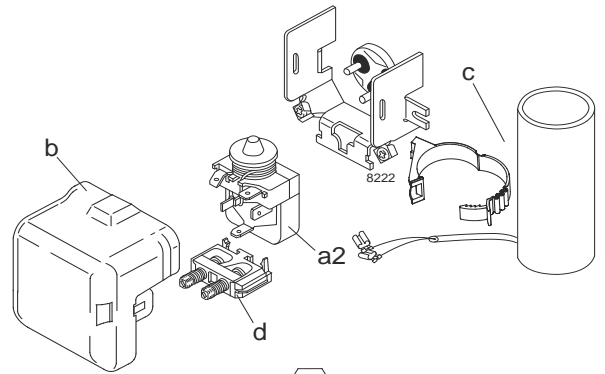
| | | | | | |
|-------------|----------------|----------------------|----------------|-------------|-----------------|
| Designation | SC21MFX | 220-240V/50Hz | Conf. 3 | Sales code: | 104G8120 |
|-------------|----------------|----------------------|----------------|-------------|-----------------|

Configuration

| | |
|------------------------|-------------------|
| Motorconfiguration | CSIR |
| Power supply (nominal) | 220-240V/50Hz 1~ |
| Refrigerant | R513A |
| Application | MBP |
| Voltage range | 187-254V |
| Starting torque | HST |
| Approvals | VDE CCC EAC |

Electrical accessories / wiring diagram

CSIR

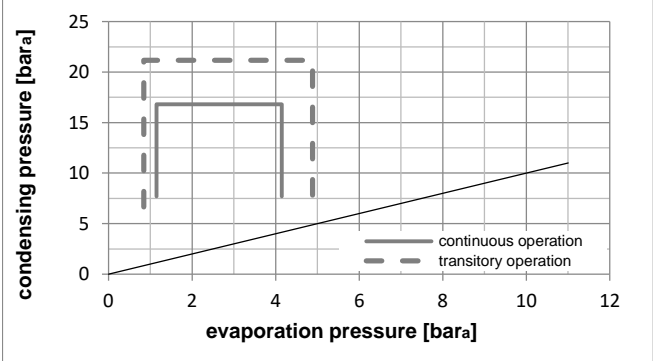
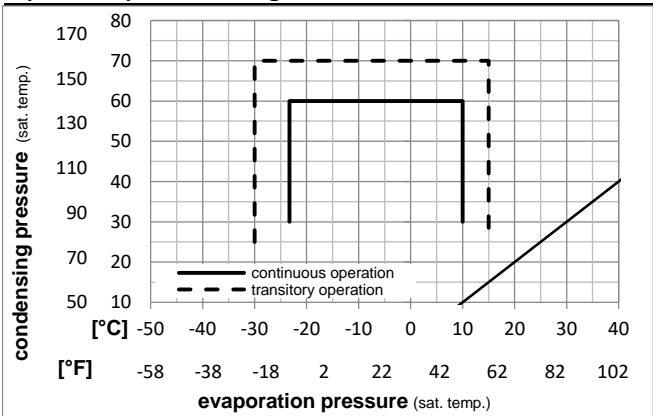


Ambient temperatures / system cooling

| | |
|---------------------------|--------------|
| Ambient temperature min.: | 10°C / 50°F |
| Ambient temperature max.: | 43°C / 110°F |

| System cooling (n/a: outside limits) | | | |
|--------------------------------------|-----|----------|-----|
| T ambient | LBP | MBP | HBP |
| 32°C / 90°F | n/a | fan 3m/s | n/a |
| 38°C / 100°F | n/a | fan 3m/s | n/a |
| 43°C / 110°F | n/a | fan 3m/s | n/a |

Operation pressure range



Components

| | | |
|----|------------------------|----------|
| a2 | relay | 117U6019 |
| c | start capacitor (80µF) | 117U5017 |
| d | cord relief | 103N1004 |
| b | plastic cover | 103N2009 |

Model

Designation **SC21MFX 220-240V/50Hz** Conf. **3** Sales code: **104G8120**

Optimization + standard conditions

R513A, 220V/50Hz, CSIR, fan 3m/s, VDE, CCC, EAC

| Evaporating pressure (saturation temperature) | | | | | | | | | | | | | | |
|---|-------|------|------|------|--------|---------|----------|-------|----------|-----------|-------|------|--------|----------------|
| Condensing pressure (saturation temperature) | | | | | | | | | | | | | | |
| Return gas temp. | | | | | | | | | | | | | | |
| Liquid temp. | | | | | | | | | | | | | | |
| Cooling capacity | | | | | | | | | | | | | | |
| COP | | | | | | | | | | | | | | |
| EER | | | | | | | | | | | | | | |
| Power consumption | | | | | | | | | | | | | | |
| Current consumption | | | | | | | | | | | | | | |
| Ref. mass flow | | | | | | | | | | | | | | |
| | pe | pc | RGT | Tliq | [W] | [Btu/h] | [kcal/h] | [W/W] | [Btu/Wh] | [kcal/Wh] | P1 | I | m | |
| [°C] | [°C] | [°C] | [°C] | [°C] | [W] | [Btu/h] | [kcal/h] | [W/W] | [Btu/Wh] | [kcal/Wh] | [W] | [A] | [kg/h] | |
| [°C] | -6,66 | 54,4 | 35 | 46,1 | 1131,2 | 3863 | 973,5 | 1,62 | 5,55 | 1,40 | 696,6 | 4,57 | 27,71 | ASHRAE MBP |
| [°F] | 20 | 130 | 95 | 115 | | | | | | | | | | |
| [°C] | -10 | 55 | 32 | 55 | 867,3 | 2962 | 746,4 | 1,32 | 4,52 | 1,14 | 655,8 | 4,41 | 23,98 | cecomaf MBP |
| [°F] | 14 | 131 | 89,6 | 131 | | | | | | | | | | |
| [°C] | -10 | 45 | 20 | 45 | 979,7 | 3346 | 843,1 | 1,58 | 5,40 | 1,36 | 619,9 | 4,28 | 25,97 | EN12900 MBP |
| [°F] | 14 | 113 | 68 | 113 | | | | | | | | | | |
| [°C] | -6,66 | 48,9 | 18,3 | 48,9 | 1053,0 | 3596 | 906,2 | 1,56 | 5,34 | 1,35 | 673,0 | 4,48 | 29,67 | ARI540 MBP |
| [°F] | 20 | 120 | 65 | 120 | | | | | | | | | | |
| [°C] | -10 | 45 | 32 | 45 | 1024,5 | 3499 | 881,7 | 1,65 | 5,64 | 1,42 | 619,9 | 4,28 | 25,19 | opt |
| [°F] | 14 | 113 | 89,6 | 113 | | | | | | | | | | |
| [°C] | -25 | 45 | 32 | 45 | 501,7 | 1713 | 431,8 | 1,12 | 3,83 | 0,97 | 447,2 | 3,62 | 12,23 | opt |
| [°F] | -13 | 113 | 89,6 | 113 | | | | | | | | | | |

Performance tables

R513A, 220V/50Hz, CSIR, fan 3m/s, VDE, CCC, EAC

| | pe | | Cooling capacity | | | COP | | EER | | P1 | | I | | m | |
|------------------|-------|------|------------------|---------|----------|-------|----------|-----------|-------|------|--------|---|--|---|--|
| | [°C] | [°F] | [W] | [Btu/h] | [kcal/h] | [W/W] | [Btu/Wh] | [kcal/Wh] | [W] | [A] | [kg/h] | | | | |
| [°C / °F] | -23,3 | -10 | 547,7 | 1871 | 471,4 | 1,17 | 4,00 | 1,01 | 467,2 | 3,70 | 13,36 | | | | |
| cond. pressure | -20 | -4 | 645,8 | 2206 | 555,8 | 1,28 | 4,36 | 1,10 | 505,6 | 3,84 | 15,78 | | | | |
| pc= 45/113 | -15 | 5 | 818,8 | 2796 | 704,7 | 1,45 | 4,97 | 1,25 | 562,8 | 4,06 | 20,06 | | | | |
| return gas temp. | -10 | 14 | 1024,5 | 3499 | 881,7 | 1,65 | 5,64 | 1,42 | 619,9 | 4,28 | 25,19 | | | | |
| RGT= 32/90 | 0 | 32 | 1549,8 | 5293 | 1333,8 | 2,10 | 7,16 | 1,81 | 738,8 | 4,73 | 38,44 | | | | |
| liquid temp | 5 | 41 | 1877,3 | 6411 | 1615,6 | 2,34 | 7,98 | 2,01 | 803,0 | 4,97 | 46,82 | | | | |
| Tliq= 45/113 | 10 | 50 | 2253,2 | 7695 | 1939,2 | 2,58 | 8,82 | 2,22 | 872,0 | 5,24 | 56,57 | | | | |
| [°C / °F] | -23,3 | -10 | 455,5 | 1556 | 392,0 | 0,95 | 3,23 | 0,81 | 481,7 | 3,75 | 12,48 | | | | |
| cond. pressure | -20 | -4 | 540,4 | 1845 | 465,0 | 1,03 | 3,51 | 0,88 | 525,8 | 3,92 | 14,84 | | | | |
| pc= 55/131 | -15 | 5 | 689,6 | 2355 | 593,5 | 1,17 | 3,98 | 1,00 | 591,1 | 4,17 | 19,00 | | | | |
| return gas temp | -10 | 14 | 867,3 | 2962 | 746,4 | 1,32 | 4,52 | 1,14 | 655,8 | 4,41 | 23,98 | | | | |
| RGT= 32/90 | 0 | 32 | 1323,7 | 4521 | 1139,2 | 1,68 | 5,74 | 1,45 | 787,6 | 4,91 | 36,97 | | | | |
| liquid temp | 5 | 41 | 1610,3 | 5500 | 1385,9 | 1,88 | 6,42 | 1,62 | 857,3 | 5,18 | 45,25 | | | | |
| Tliq= 55/131 | 10 | 50 | 1941,2 | 6629 | 1670,6 | 2,08 | 7,12 | 1,79 | 931,0 | 5,46 | 54,96 | | | | |