

EN 12900 Household (CECOMAF) 220V, 50Hz (CSIR), fan cooling F₂

Evap. temp. in °C	-45	-40	-35	-30	-25	-23.3	-20	-15	-10	-6.7	-5	0	5	7.2	10	15	20
Capacity in W						430	514	662	840	976	1052	1303	1596	1740	1936		
Power cons. in W						441	485	550	615	658	680	746	813	842	881		
Current cons. in A						3.68	3.83	4.04	4.24	4.37	4.43	4.61	4.78	4.85	4.93		
COP in W/W						0.97	1.06	1.20	1.37	1.48	1.55	1.75	1.96	2.07	2.20		

EN 12900 Household (CECOMAF) 220V, 50Hz, RC (CSR), fan cooling F₂

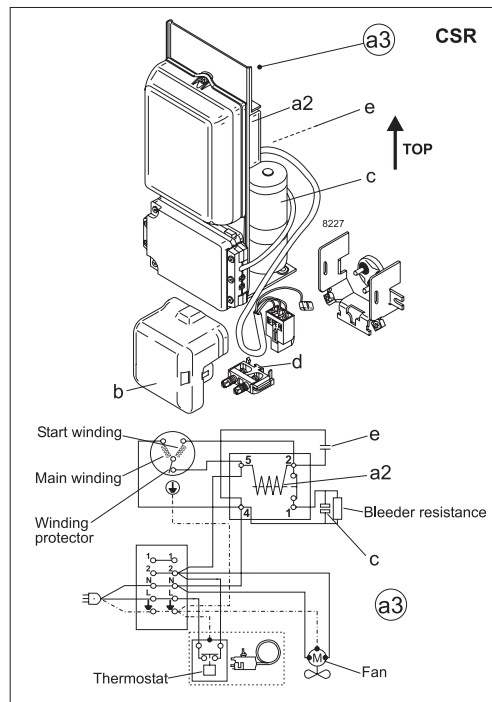
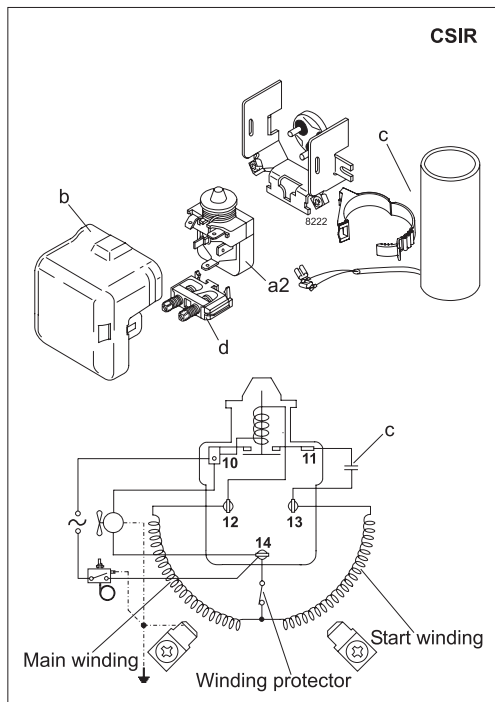
Evap. temp. in °C	-45	-40	-35	-30	-25	-23.3	-20	-15	-10	-6.7	-5	0	5	7.2	10	15	20
Capacity in W						443	530	682	866	1006	1085	1343	1645	1793	1996		
Power cons. in W						427	469	532	594	635	657	720	784	812	849		
Current cons. in A						2.65	2.83	3.10	3.36	3.52	3.60	3.82	4.03	4.12	4.23		
COP in W/W						1.04	1.13	1.28	1.46	1.58	1.65	1.87	2.10	2.21	2.35		

ASHRAE MBP 220V, 50Hz (CSIR), fan cooling F₂

Evap. temp. in °C	-45	-40	-35	-30	-25	-23.3	-20	-15	-10	-6.7	-5	0	5	7.2	10	15	20
Capacity in W						473	565	728	924	1073	1157	1433	1756	1914	2131		
Power cons. in W						441	484	548	613	656	678	743	809	839	877		
Current cons. in A						3.67	3.82	4.03	4.23	4.36	4.42	4.60	4.77	4.84	4.93		
COP in W/W						1.07	1.17	1.33	1.51	1.64	1.71	1.93	2.17	2.28	2.43		

ASHRAE MBP 220V, 50Hz, RC (CSR), fan cooling F₂

Evap. temp. in °C	-45	-40	-35	-30	-25	-23.3	-20	-15	-10	-6.7	-5	0	5	7.2	10	15	20
Capacity in W						487	582	750	952	1106	1193	1477	1810	1973	2196		
Power cons. in W						427	468	530	592	633	654	717	781	809	846		
Current cons. in A						2.63	2.82	3.09	3.34	3.50	3.58	3.81	4.02	4.11	4.22		
COP in W/W						1.14	1.24	1.42	1.61	1.75	1.82	2.06	2.32	2.44	2.60		



Accessories for SC21MFX	Figure	Code number
Starting device 550 mm cable length 1000 mm cable length	a3	117-7039
		117-7043
Starting relay	a2	Components of starting device
Start. capacitor 80 µF	c	
Run capacitor 10 µF	e	
Starting relay 6.3 mm spade connectors	a2	
Start. capacitor 80 µF 6.3 mm spade connectors	c	117U5017
Cover	b	103N2009
Cord relief	d	103N1004

Test conditions	EN 12900/CECOMAF	ASHRAE MBP
Condensing temperature	55°C	54.4°C
Ambient temperature	32°C	35°C
Suction gas temperature	32°C	35°C
Liquid temperature	no subcooling	46.1°C

Mounting accessories	Code number
Bolt joint for one comp.	Ø: 16 mm 118-1917
Bolt joint in quantities	Ø: 16 mm 118-1918
Snap-on in quantities	Ø: 16 mm 118-1919

Secop accepts no responsibility for possible errors in catalogs, brochures, and other printed material. Secop reserves the right to alter its products without notice. This also applies to products already on order provided that such alterations can be made without consequential changes being necessary to specifications already agreed. All trademarks in this material are the property of the respective companies. Secop and the Secop logotype are trademarks of Secop GmbH. All rights reserved. www.secop.com