

# SCE15CNLX LBP Compressor R290 115-127V 60Hz



## General

Code number	104H7578
Approvals	UL984, EAC
Compressors on pallet	80

## Application

Application	LBP	
Frequency	Hz	50   60
Evaporating temperature	°F	-   -40 to 20
Voltage range	V	-   95 - 135
Max. condensing temperature continuous	°F	-   149
Max. winding temperature continuous (short)	°F	-   257 (275)

## Cooling requirements

Frequency	Hz	50			60		
Application		LBP	MBP	HBP	LBP	MBP	HBP
90°F		-	-	-	F <sub>2</sub>	-	-
100°F		-	-	-	F <sub>2</sub>	-	-
110°F		-	-	-	F <sub>2</sub>	-	-
Remarks on application:							

## Motor

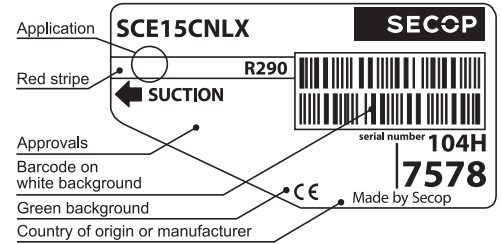
Motor type	CSR		
LRA (rated after 4 sec. UL984), HST   LST	A	40.4	-
Cut in Current, HST   LST	A	40.4	-
Resistance, main   start winding (77°F)	Ω	0.8	2.8

## Design

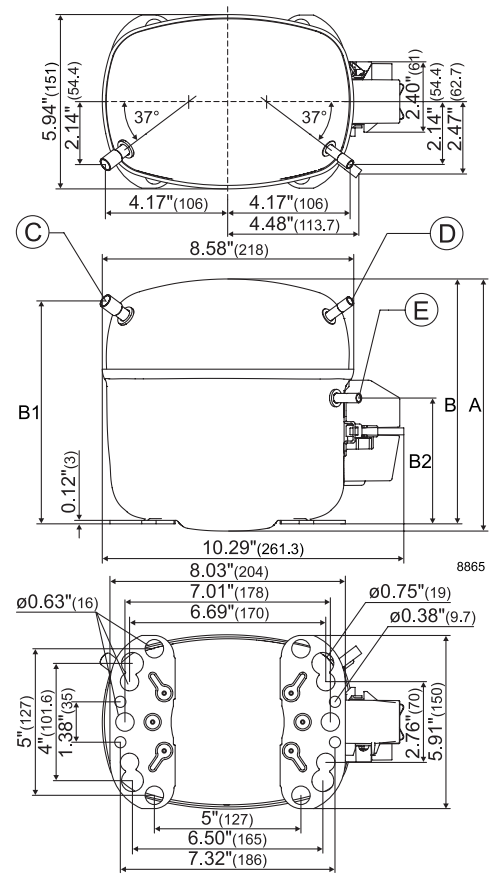
Displacement	cu.in	0.93
Oil quantity (type)	fl.oz.	18.6 (polyolester)
Maximum refrigerant charge, legal limit	oz.	5.3
Maximum refrigerant charge, technical limit	oz.	15.9
Free gas volume in compressor	fl.oz.	49.4
Weight without electrical equipment	lbs.	31.3

## Dimensions

Height	inch	A	8.62
		B	8.39
		B1	7.60
		B2	4.33
Suction connector	location, I.D. in.   angle	C	0.378-0.385   37°
	material   comment		Copper   Rubber plug
Process connector	location, I.D. in.   angle	D	0.252-0.259   37°
	material   comment		Copper   Rubber plug
Discharge connector	location, I.D. in.   angle	E	0.252-0.259   37°
	material   comment		Copper   Rubber plug
Oil cooler connector	location, I.D. in.   angle	F	-
	material   comment		-
Remarks:			



- S = Static cooling normally sufficient
- O = Oil cooling
- F<sub>1</sub> = Fan cooling 1.5 m/s (compressor compartment temperature equal to ambient temperature)
- F<sub>2</sub> = Fan cooling 3.0 m/s necessary
- SG = Suction gas cooling normally sufficient
- = not applicable in this area



**ASHRAE LBP**

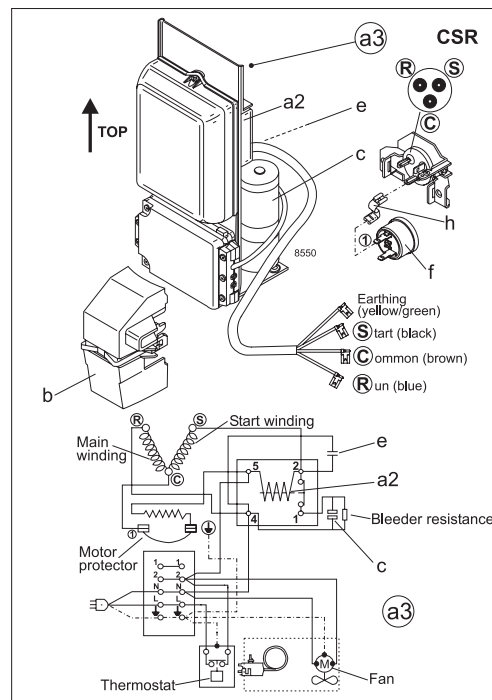
115V, 60Hz, fan cooling F<sub>2</sub>

Evap. temp. in °F	-49	-40	-30	-20	-13	-10	0	10	14	20	30	40	41	45	50	59
Capacity in BTU/h			852	1816	2426	2683	3568	4587	5058	5857						
Power cons. in W			310	412	474	498	573	643	671	713						
Current cons. in A			3.38	4.31	4.833	5.03	5.63	6.18	6.41	6.77						
EER in BTU/Wh			2.75	4.40	5.12	5.38	6.22	7.13	7.54	8.21						

**EN 12900 LBP**

115V, 60Hz, fan cooling F<sub>2</sub>

Evap. temp. in °F	-49	-40	-30	-20	-13	-10	0	10	14	20	30	40	41	45	50	59
Capacity in W		668	1478	2185	2667	2880	3657	4608	5058	5826						
Power cons. in W		305	383	447	486	503	557	615	641	684						
Current cons. in A		3.17	3.90	4.44	4.75	4.87	5.27	5.72	5.93	6.29						
COP in W/W		2.19	3.86	4.89	5.48	5.73	6.57	7.49	7.89	8.52						



Accessories for	SCE15CNLX	Figure	Code number
Starting device assembly			
CSR	16.5 in. cable length	a3	117-7801
Cover		b	117U1021 *)
Protector		f	117U3218 *)
Protector holder		h	117U0439 *)
*) Remarks: Cover, protector, protector holder parts of compressor			

Test conditions	EN 12900	ASHRAE
	LBP	LBP
Condensing temperature	104°F	130°F
Ambient temperature	90°F	90°F
Suction gas temperature	68°F	90°F
Liquid temperature	no subcooling	90°F

Mounting accessories	Code number	
Bolt joint for one comp.	Ø: 5/8 in.	118-1917
Bolt joint in quantities	Ø: 5/8 in.	118-1918
Snap-on in quantities	Ø: 5/8 in.	118-1919

Secop can accept no responsibility for possible errors in catalogues, brochures and other printed material. Secop reserves the right to alter its products without notice. This also applies to products already on order provided that such alterations can be made without substantial changes being necessary in specifications already agreed. All trademarks in this material are property of the respective companies. Secop and the Secop logotype are trademarks of Secop GmbH. All rights reserved. [www.secop.com](http://www.secop.com)