

SCE18CNLX LBP Compressor R290 115-127V 60Hz



General

| | |
|-----------------------|------------|
| Code number | 104H7878 |
| Approvals | UL984, EAC |
| Compressors on pallet | 80 |

Application

| Application | LBP | |
|---|-----|---------------|
| Frequency | Hz | 50 60 |
| Evaporating temperature | °F | - -40 to 20 |
| Voltage range | V | - 95 - 135 |
| Max. condensing temperature continuous | °F | - 149 |
| Max. winding temperature continuous (short) | °F | - 257 (275) |

Cooling requirements

| Frequency | Hz | 50 | | | 60 | | |
|-------------------------|----|-----|-----|-----|----------------|-----|-----|
| Application | | LBP | MBP | HBP | LBP | MBP | HBP |
| 90°F | | - | - | - | F ₂ | - | - |
| 100°F | | - | - | - | F ₂ | - | - |
| 110°F | | - | - | - | F ₂ | - | - |
| Remarks on application: | | | | | | | |

Motor

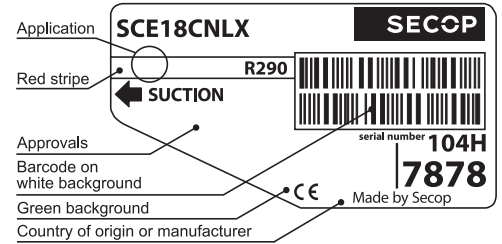
| Motor type | CSR | | |
|---|-----|------|-----|
| LRA (rated after 4 sec. UL984), HST LST | A | 44.1 | - |
| Cut in Current, HST LST | A | 44.1 | - |
| Resistance, main start winding (77°F) | Ω | 0.8 | 2.9 |

Design

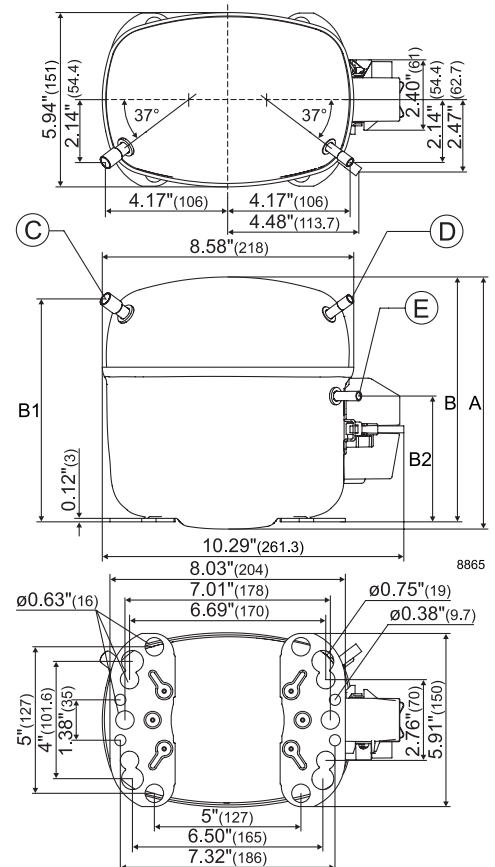
| | | |
|---|--------|--------------------|
| Displacement | cu.in | 1.08 |
| Oil quantity (type) | fl.oz. | 18.6 (polyolester) |
| Maximum refrigerant charge, legal limit | oz. | 5.3 |
| Maximum refrigerant charge, technical limit | oz. | 15.9 |
| Free gas volume in compressor | fl.oz. | 49.4 |
| Weight without electrical equipment | lbs. | 31.3 |

Dimensions

| | | | |
|----------------------|----------------------------|----|----------------------|
| Height | inch | A | 8.62 |
| | | B | 8.39 |
| | | B1 | 7.60 |
| | | B2 | 4.33 |
| Suction connector | location, I.D. in. angle | C | 0.378-0.385 37° |
| | material comment | | Copper Rubber plug |
| Process connector | location, I.D. in. angle | D | 0.252-0.259 37° |
| | material comment | | Copper Rubber plug |
| Discharge connector | location, I.D. in. angle | E | 0.252-0.259 37° |
| | material comment | | Copper Rubber plug |
| Oil cooler connector | location, I.D. in. angle | F | - |
| | material comment | | - |
| Remarks: | | | |



- S = Static cooling normally sufficient
- O = Oil cooling
- F₁ = Fan cooling 1.5 m/s (compressor compartment temperature equal to ambient temperature)
- F₂ = Fan cooling 3.0 m/s necessary
- SG = Suction gas cooling normally sufficient
- = not applicable in this area



ASHRAE LBP

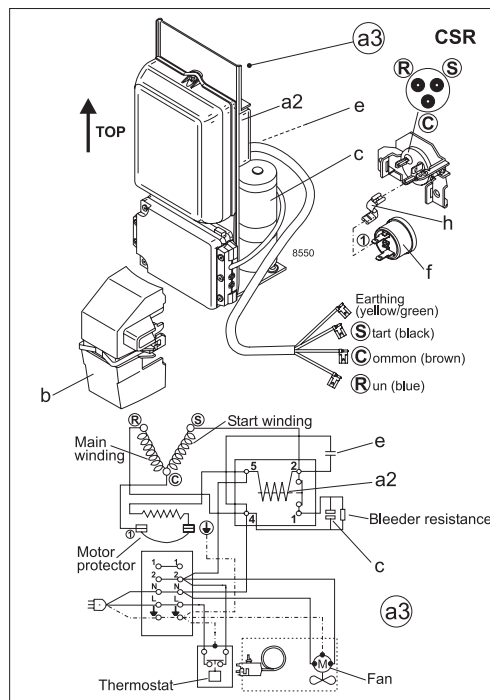
115V, 60Hz, fan cooling F₂

| | | | | | | | | | | | | | | | | |
|--------------------|-----|------|-------|------|-------|------|------|------|------|------|----|----|----|----|----|----|
| Evap. temp. in °F | -49 | -40 | -30 | -20 | -13 | -10 | 0 | 10 | 14 | 20 | 30 | 40 | 41 | 45 | 50 | 59 |
| Capacity in BTU/h | | 330 | 1352 | 2286 | 2934 | 3220 | 4244 | 5450 | 6003 | 6928 | | | | | | |
| Power cons. in W | | 277 | 381.1 | 482 | 550.1 | 579 | 672 | 760 | 794 | 843 | | | | | | |
| Current cons. in A | | 3.80 | 4.36 | 5.04 | 5.54 | 5.76 | 6.49 | 7.22 | 7.51 | 7.93 | | | | | | |
| EER in BTU/Wh | | 1.20 | 3.55 | 4.74 | 5.33 | 5.56 | 6.32 | 7.17 | 7.56 | 8.22 | | | | | | |

EN 12900 LBP

115V, 60Hz, fan cooling F₂

| | | | | | | | | | | | | | | | | |
|--------------------|-----|------|------|------|------|------|------|------|------|------|----|----|----|----|----|----|
| Evap. temp. in °F | -49 | -40 | -30 | -20 | -13 | -10 | 0 | 10 | 14 | 20 | 30 | 40 | 41 | 45 | 50 | 59 |
| Capacity in W | | 235 | 497 | 743 | 918 | 996 | 1275 | 1603 | 1752 | 2000 | | | | | | |
| Power cons. in W | | 333 | 423 | 507 | 561 | 583 | 652 | 713 | 736 | 767 | | | | | | |
| Current cons. in A | | 4.00 | 4.51 | 5.05 | 5.43 | 5.59 | 6.11 | 6.57 | 6.74 | 6.97 | | | | | | |
| COP in W/W | | 0.7 | 1.17 | 1.47 | 1.64 | 1.71 | 1.96 | 2.25 | 2.38 | 2.61 | | | | | | |



| Accessories for | SCE18CNLX | Figure | Code number |
|--|-----------------------|--------|-------------|
| Starting device assembly | | | |
| CSR | 16.5 in. cable length | a3 | 117-7801 |
| Cover | | b | 117U1021 *) |
| Protector | | f | 117U3219 *) |
| Protector holder | | h | 117U0439 *) |
| *) Remarks: Cover, protector, protector holder parts of compressor | | | |

| Test conditions | EN 12900 | ASHRAE |
|-------------------------|---------------|--------|
| | LBP | LBP |
| Condensing temperature | 104°F | 130°F |
| Ambient temperature | 90°F | 90°F |
| Suction gas temperature | 68°F | 90°F |
| Liquid temperature | no subcooling | 90°F |

| Mounting accessories | Code number | |
|--------------------------|-------------|----------|
| Bolt joint for one comp. | Ø: 5/8 in. | 118-1917 |
| Bolt joint in quantities | Ø: 5/8 in. | 118-1918 |
| Snap-on in quantities | Ø: 5/8 in. | 118-1919 |

Secop can accept no responsibility for possible errors in catalogues, brochures and other printed material. Secop reserves the right to alter its products without notice. This also applies to products already on order provided that such alterations can be made without substantial changes being necessary in specifications already agreed. All trademarks in this material are property of the respective companies. Secop and the Secop logotype are trademarks of Secop GmbH. All rights reserved. www.secop.com