

SCE21CNLX LBP Compressor R290 115V 60Hz



General

Code number	104H7178
Approvals	UL984, EAC
Compressors on pallet	80

Application

Application	LBP	
Frequency	Hz	50 60
Evaporating temperature	°F	- -40 to 20
Voltage range	V	- 103 - 127
Max. condensing temperature continuous	°F	- 149
Max. winding temperature continuous	°F	- 275

Cooling requirements

Frequency	Hz	50			60		
Application		LBP	MBP	HBP	LBP	MBP	HBP
90°F		-	-	-	F ₂	-	-
100°F		-	-	-	F ₂	-	-
110°F		-	-	-	F ₂	-	-
Remarks on application:							

Motor

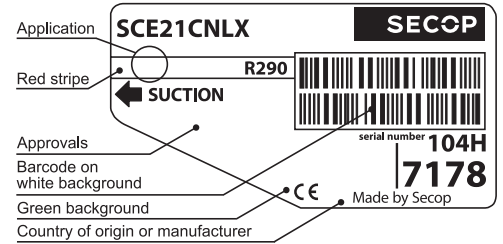
Motor type	CSR		
LRA (rated after 4 sec. UL984), HST LST	A	55.2	-
Cut in Current, HST LST	A	55.2	-
Resistance, main start winding (77°F)	Ω	0.71	2.95

Design

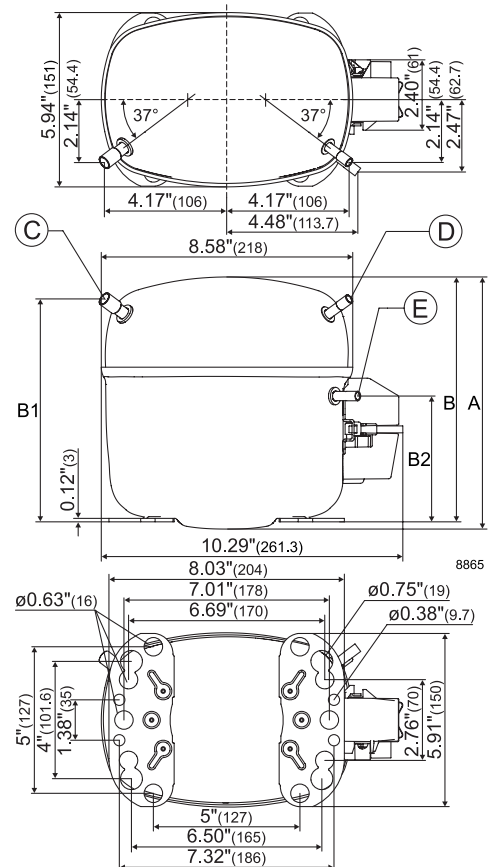
Displacement	cu.in	1.28
Oil quantity (type)	fl.oz.	18.6 (polyolester)
Maximum refrigerant charge, legal limit	oz.	5.3
Maximum refrigerant charge, technical limit	oz.	17.6
Free gas volume in compressor	fl.oz.	49.4
Weight without electrical equipment	lbs.	31.3

Dimensions

Height	inch	A	8.62
		B	8.39
		B1	7.60
		B2	4.33
Suction connector	location, I.D. in. angle	C	0.378-0.385 37°
	material comment		Copper Rubber plug
Process connector	location, I.D. in. angle	D	0.252-0.259 37°
	material comment		Copper Rubber plug
Discharge connector	location, I.D. in. angle	E	0.252-0.259 37°
	material comment		Copper Rubber plug
Oil cooler connector	location, I.D. in. angle	F	-
	material comment		-
Remarks:			



- S = Static cooling normally sufficient
- O = Oil cooling
- F₁ = Fan cooling 1.5 m/s (compressor compartment temperature equal to ambient temperature)
- F₂ = Fan cooling 3.0 m/s necessary
- SG = Suction gas cooling normally sufficient
- = not applicable in this area



ASHRAE LBP

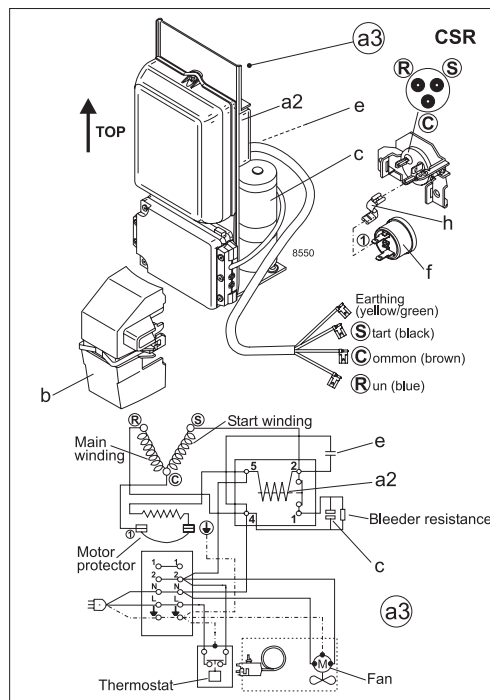
115V, 60Hz, fan cooling F₂

Evap. temp. in °F	-49	-40	-30	-20	-13	-10	0	10	14	20	30	40	41	45	50	59
Capacity in BTU/h		760	1708	2676	3393	3715	4879	6219	6816	7789						
Power cons. in W		361	462	569	646	679	787	888	926	979						
Current cons. in A		4.07	5.19	6.13	6.72	6.97	7.75	8.55	8.89	9.43						
EER in BTU/Wh		2.11	3.70	4.70	5.25	5.47	6.20	7.00	7.36	7.95						

EN 12900 LBP

115V, 60Hz, fan cooling F₂

Evap. temp. in °F	-49	-40	-30	-20	-13	-10	0	10	14	20	30	40	41	45	50	59
Capacity in W		493	676	883	1049	1127	1419	1773	1934	2200						
Power cons. in W		467	535	606	656	677	743	800	820	844						
Current cons. in A		5.09	5.74	6.26	6.59	6.72	7.19	7.72	7.96	8.37						
COP in W/W		1.05	1.26	1.46	1.60	1.66	1.91	2.21	2.36	2.61						



Accessories for	SCE21CNLX	Figure	Code number
Starting device assembly			
CSR	22.8 in. cable length	a3	117-7805
Cover		b	117U1021 *)
Protector		f	117U3222 *)
Protector holder		h	117U0439 *)
*) Remarks: Cover, protector, protector holder parts of compressor			

Test conditions	EN 12900	ASHRAE
	LBP	LBP
Condensing temperature	104°F	130°F
Ambient temperature	90°F	90°F
Suction gas temperature	68°F	90°F
Liquid temperature	no subcooling	90°F

Mounting accessories	Code number	
Bolt joint for one comp.	Ø: 5/8 in.	118-1917
Bolt joint in quantities	Ø: 5/8 in.	118-1918
Snap-on in quantities	Ø: 5/8 in.	118-1919

Secop (Nidec Global Appliance) accepts no responsibility for possible errors in catalogs, brochures, and other printed material. Secop (Nidec Global Appliance) reserves the right to alter its products without notice. This also applies to products already on order provided that such alterations can be made without consequential changes being necessary to specifications already agreed. All trademarks in this material are the property of the respective companies. Secop and the Secop logotype are trademarks of Secop GmbH (Nidec Global Appliance Germany GmbH). All rights reserved.