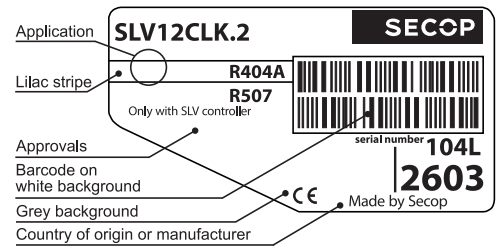


SLV12CLK.2 Variable Speed Drive Compressor R404A/R507 220-240V 50/60Hz

- with 105N46xx Series Controllers



General

| | |
|---------------------------------------|----------------------------|
| Code number (without electronic unit) | 104L2603 |
| Electronic unit | 105N46xx series controller |
| Approvals | EN 60335-2-34, CCC |
| Compressors on pallet | 80 |

Application

| Application | LBP | | |
|--|-----|------------|------------|
| Frequency | Hz | 50 | 60 |
| Evaporating temperature | °C | -40 to -10 | -40 to -10 |
| Voltage range | V | 180 - 254 | 180 - 254 |
| Max. condensing temperature continuous (short) | °C | 50 (60) | 50 (60) |
| Max. winding temperature continuous (short) | °C | 125 (135) | 125 (135) |

Cooling requirements

| Frequency | Hz | 50 | | | 60 | | |
|-------------|----|----------------|-----|-----|----------------|-----|-----|
| Application | | LBP | MBP | HBP | LBP | MBP | HBP |
| 32°C | | F ₂ | - | - | F ₂ | - | - |
| 38°C | | F ₂ | - | - | F ₂ | - | - |
| 43°C | | F ₂ | - | - | F ₂ | - | - |

Remarks on application: LST only, airflow on compressor and electronic unit: 3m/s

Features

| | | |
|-------------|-----|---------------------------------------|
| Speed range | rpm | 2000 - 4000 |
| Thermostat | | - integrated - electronic |
| Protections | | - current - speed - temperature |
| Remarks: | | |

Motor

| | | |
|-----------------------------------|---|--------------------|
| Motor type | | permanent magnet |
| LRA (rated after 4 sec. UL984), | A | electronic cut off |
| Maximum current | A | 4.6 |
| Resistance, all 3 windings (25°C) | Ω | 7.7 |

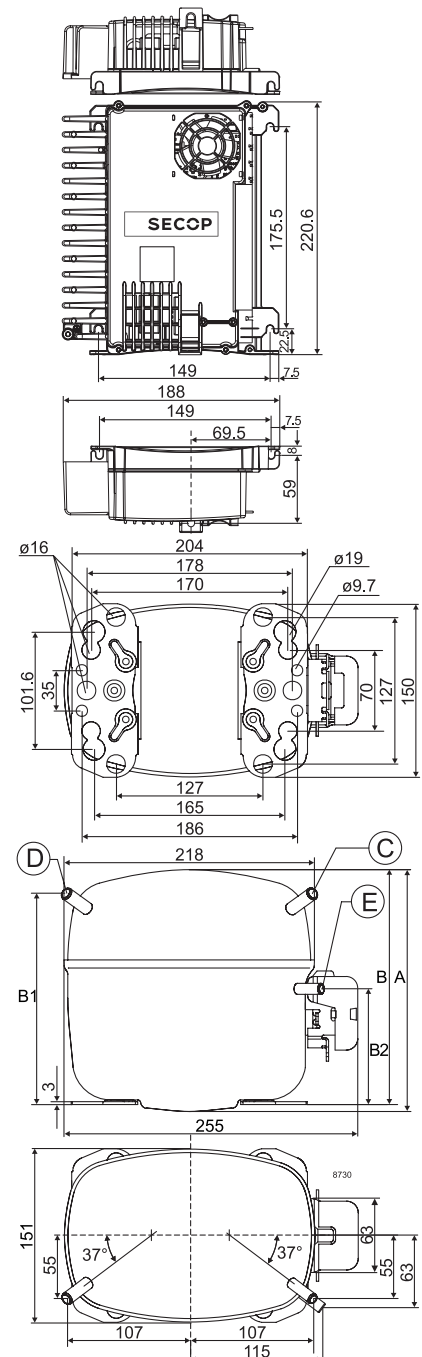
Design

| | | |
|-------------------------------------|-----------------|-------------------|
| Displacement | cm ³ | 12.87 |
| Oil quantity (type) | cm ³ | 600 (polyolester) |
| Maximum refrigerant charge | g | 1300 |
| Free gas volume in compressor | cm ³ | 1510 |
| Weight - Compressor/Electronic unit | kg | 12.0/1.4 |

Dimensions

| | | | |
|----------------------|--------------------------|----|----------------------|
| Height | mm | A | 199 |
| | | B | 193 |
| | | B1 | 173 |
| | | B2 | 90 |
| Suction connector | location/I.D. mm angle | C | 10.2 37° |
| | material comment | | Copper Rubber plug |
| Process connector | location/I.D. mm angle | D | 6.2 37° |
| | material comment | | Copper Rubber plug |
| Discharge connector | location/I.D. mm angle | E | 6.2 37° |
| | material comment | | Copper Rubber plug |
| Oil cooler connector | location/I.D. mm angle | F | - |
| | material comment | | - |
| Connector tolerance | I.D. mm | | ±0.09 |
| Remarks: | | | |

- S = Static cooling normally sufficient
- O = Oil cooling
- F₁ = Fan cooling 1.5 m/s
(compressor compartment temperature equal to ambient temperature)
- F₂ = Fan cooling 3.0 m/s necessary
- SG = Suction gas cooling normally sufficient
- = not applicable in this area



2,000 rpm EN 12900 Household (CECOMAF)* 220V, 50Hz, fan cooling F₂

| | | | | | | | | | | | | | | | | | |
|--------------------|-----|------|------|------|------|-------|------|------|------|------|----|---|---|-----|----|----|----|
| Evap. temp. in °C | -45 | -40 | -35 | -30 | -25 | -23.3 | -20 | -15 | -10 | -6.7 | -5 | 0 | 5 | 7.2 | 10 | 15 | 20 |
| Capacity in W | | 134 | 196 | 269 | 355 | 387 | 455 | 572 | 705 | | | | | | | | |
| Power cons. in W | | 182 | 227 | 268 | 308 | 321 | 345 | 379 | 410 | | | | | | | | |
| Current cons. in A | | 0.97 | 1.16 | 1.36 | 1.55 | 1.62 | 1.74 | 1.94 | 2.13 | | | | | | | | |
| COP in W/W | | 0.74 | 0.86 | 1.00 | 1.15 | 1.21 | 1.32 | 1.51 | 1.72 | | | | | | | | |

2,500 rpm EN 12900 Household (CECOMAF)* 220V, 50Hz, fan cooling F₂

| | | | | | | | | | | | | | | | | | |
|--------------------|-----|------|------|------|------|-------|------|------|------|------|----|---|---|-----|----|----|----|
| Evap. temp. in °C | -45 | -40 | -35 | -30 | -25 | -23.3 | -20 | -15 | -10 | -6.7 | -5 | 0 | 5 | 7.2 | 10 | 15 | 20 |
| Capacity in W | | 160 | 243 | 342 | 459 | 502 | 592 | 742 | 910 | | | | | | | | |
| Power cons. in W | | 212 | 270 | 325 | 377 | 394 | 426 | 472 | 515 | | | | | | | | |
| Current cons. in A | | 1.06 | 1.32 | 1.58 | 1.82 | 1.91 | 2.07 | 2.30 | 2.53 | | | | | | | | |
| COP in W/W | | 0.75 | 0.90 | 1.05 | 1.22 | 1.27 | 1.39 | 1.57 | 1.77 | | | | | | | | |

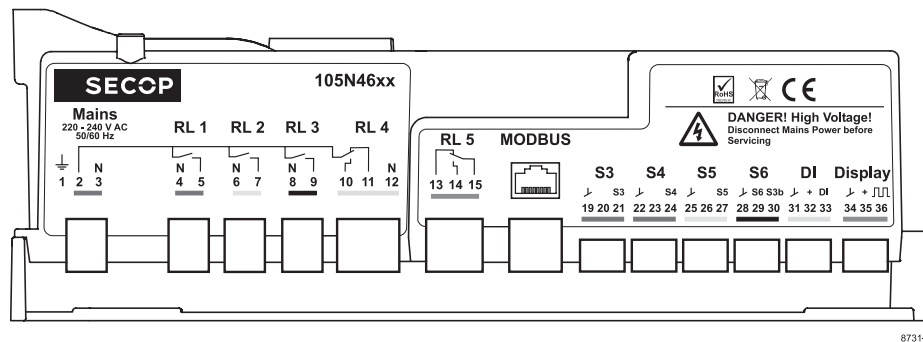
3,000 rpm EN 12900 Household (CECOMAF)* 220V, 50Hz, fan cooling F₂

| | | | | | | | | | | | | | | | | | |
|--------------------|-----|------|------|------|------|-------|------|------|------|------|----|---|---|-----|----|----|----|
| Evap. temp. in °C | -45 | -40 | -35 | -30 | -25 | -23.3 | -20 | -15 | -10 | -6.7 | -5 | 0 | 5 | 7.2 | 10 | 15 | 20 |
| Capacity in W | | 181 | 283 | 406 | 550 | 604 | 714 | 895 | 1093 | | | | | | | | |
| Power cons. in W | | 237 | 308 | 375 | 439 | 460 | 499 | 557 | 612 | | | | | | | | |
| Current cons. in A | | 1.13 | 1.45 | 1.76 | 2.06 | 2.16 | 2.35 | 2.62 | 2.88 | | | | | | | | |
| COP in W/W | | 0.76 | 0.92 | 1.08 | 1.25 | 1.31 | 1.43 | 1.61 | 1.79 | | | | | | | | |

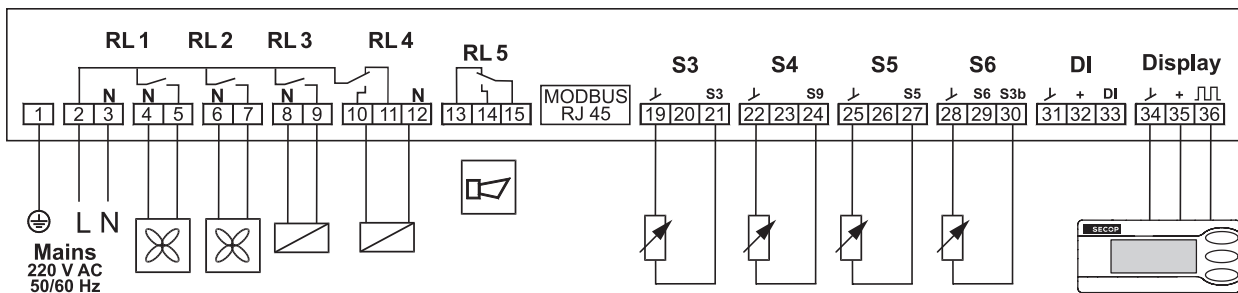
4,000 rpm EN 12900 Household (CECOMAF)* 220V, 50Hz, fan cooling F₂

| | | | | | | | | | | | | | | | | | |
|--------------------|-----|------|------|------|------|-------|------|------|------|------|----|---|---|-----|----|----|----|
| Evap. temp. in °C | -45 | -40 | -35 | -30 | -25 | -23.3 | -20 | -15 | -10 | -6.7 | -5 | 0 | 5 | 7.2 | 10 | 15 | 20 |
| Capacity in W | | 200 | 370 | 542 | 720 | 782 | 909 | 1114 | 1339 | | | | | | | | |
| Power cons. in W | | 270 | 404 | 508 | 588 | 611 | 649 | 695 | 731 | | | | | | | | |
| Current cons. in A | | 0.91 | 1.68 | 2.30 | 2.77 | 2.90 | 3.10 | 3.28 | 3.31 | | | | | | | | |
| COP in W/W | | 0.74 | 0.92 | 1.07 | 1.22 | 1.28 | 1.40 | 1.60 | 1.83 | | | | | | | | |

Terminal Area 105N46xx Series Controller



- Mains red
- RL 1 blue
- RL 2 yellow
- RL 3 black
- RL 4 grey
- RL 5 green
- S3 red
- S4 blue
- S5 yellow
- S6 black
- DI grey
- Display green



| Accessories for | SLV12CLK.2 | Code number |
|-------------------------------|------------|-------------|
| Cover | | 103N2008 |
| Mounting accessories | | Code number |
| Bolt joint for one compressor | Ø: 16 mm | 118-1917 |
| Bolt joint in quantities | Ø: 16 mm | 118-1918 |
| Snap-on in quantities | Ø: 16 mm | 118-1919 |

| Test conditions | EN 12900/CECOMAF* |
|-------------------------|-------------------|
| Condensing temperature | 45°C |
| Ambient temperature | 32°C |
| Suction gas temperature | 32°C |
| Liquid temperature | no subcooling |

Secop accepts no responsibility for possible errors in catalogs, brochures, and other printed material. Secop reserves the right to alter its products without notice. This also applies to products already on order provided that such alterations can be made without subsequential changes being necessary to specifications already agreed. All trademarks in this material are the property of the respective companies. Secop and the Secop logotype are trademarks of Secop GmbH. All rights reserved. www.secop.com