

TF4CLX LBP/MBP Compressor R404A/R507 115 - 127V 60Hz

General

Code number	102U2102
Approvals	UL984
Compressors on pallet	125

Application

Application	LBP/MBP			
	Hz	50	60	
Frequency	Hz	50	60	
Evaporating temperature	°F	-	-49 to 45	
Voltage range	V	-	95 - 135	
Max. condensing temperature continuous (short)	°F	-	120 (135)	
Max. winding temperature continuous (short)	°F	-	257 (275)	

Cooling requirements

Frequency	Hz	50			60		
		LBP	MBP	HBP	LBP	MBP	HBP
90°F		-	-	-	F ₁	F ₁	-
100°F		-	-	-	F ₁	F ₁	-
110°F		-	-	-	F ₁	F ₁	-
Remarks on application:							

Motor

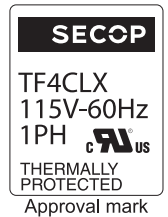
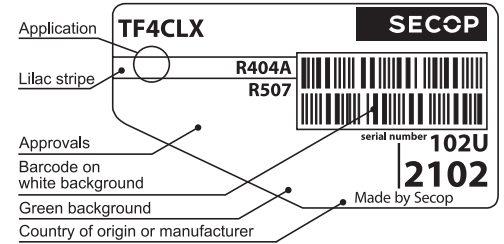
Motor type	CSIR		
LRA (rated after 4 sec. UL984), HST LST	A	20.0	-
Cut in Current, HST LST	A	20.0	-
Resistance, main start winding (77°F)	Ω	2.6	3.8

Design

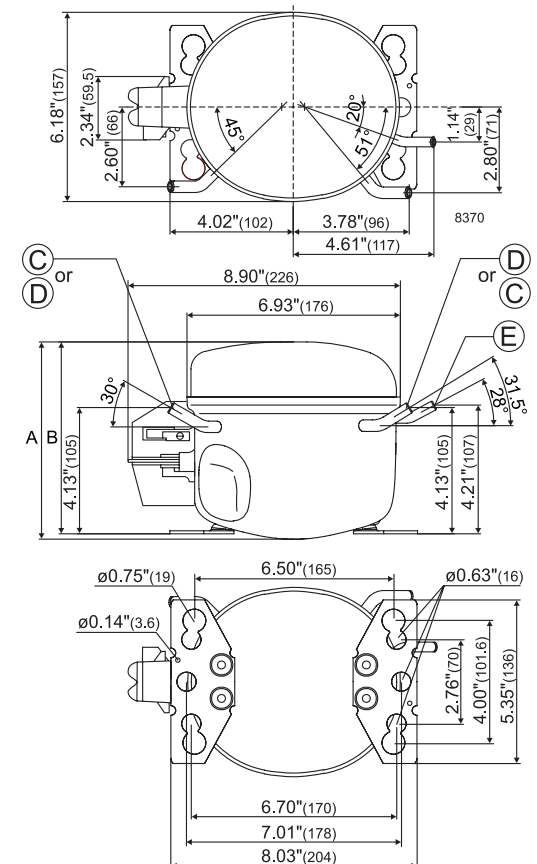
Displacement	cu.in	0.23
Oil quantity (type)	fl.oz.	9.5 (polyolester)
Maximum refrigerant charge	oz.	17.5
Free gas volume in compressor	fl.oz.	57.3
Weight without electrical equipment	lbs.	17.9

Dimensions

Height	inch	A	6.81
		B	6.65
		B1	-
		B2	-
Suction connector	location, I.D. in. angle	C	0.252-0.259 30°
	material comment		Copper Rubber plug
Process connector	location, I.D. in. angle	D	0.252-0.259 31.5°
	material comment		Copper Rubber plug
Discharge connector	location, I.D. in. angle	E	0.189-0.193 28°
	material comment		Copper Rubber plug
Oil cooler connector	location, I.D. in. angle	F	-
	material comment		-
Remarks:			



- S = Static cooling normally sufficient
- O = Oil cooling
- F₁ = Fan cooling 1.5 m/s (compressor compartment temperature equal to ambient temperature)
- F₂ = Fan cooling 3.0 m/s necessary
- SG = Suction gas cooling normally sufficient
- = not applicable in this area



ASHRAE LBP

115V, 60Hz, fan cooling F₁

Evap. temp. in °F	-49	-40	-30	-20	-13	-10	0	10	14	20	30	32	40	45	50	59	68
Capacity in BTU/h	124	223	354	512	641	702	928	1197	1317	1512	1880	1960	2306	2544			
Power cons. in W	97	117	139	160	176	184	209	239	252	273	313	322	360	387			
Current cons. in A	2.01	2.07	2.16	2.29	2.41	2.46	2.66	2.90	3.00	3.17	3.47	3.54	3.81	3.99			
EER in BTU/Wh	1.27	1.90	2.55	3.19	3.63	3.82	4.44	5.02	5.23	5.54	6.01	6.09	6.41	6.58			

ASHRAE MBP

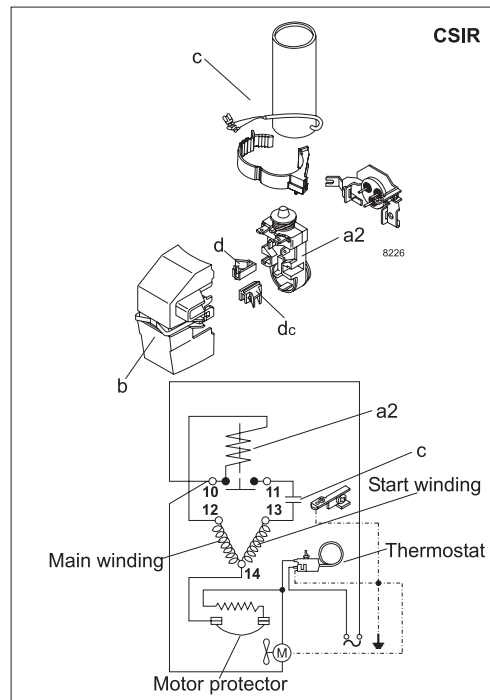
115V, 60Hz, fan cooling F₁

Evap. temp. in °F	-49	-40	-30	-20	-13	-10	0	10	14	20	30	32	40	45	50	59	68
Capacity in BTU/h	106	190	302	437	547	599	791	1018	1119	1285	1595	1660	1953	2151			
Power cons. in W	97	117	139	160	176	184	209	239	252	273	313	322	360	387			
Current cons. in A	2.01	2.07	2.16	2.29	2.41	2.46	2.66	2.90	3.00	3.17	3.47	3.54	3.81	3.99			
EER in BTU/Wh	1.09	1.62	2.18	2.72	3.10	3.26	3.78	4.27	4.45	4.71	5.10	5.16	5.42	5.56			

EN 12900 Household (CECOMAF)

115V, 60Hz, fan cooling F₁

Evap. temp. in °F	-49	-40	-30	-20	-13	-10	0	10	14	20	30	32	40	45	50	59	68
Capacity in W	44	71	104	145	178	194	252	321	351	401	493	513	599	657			
Power cons. in W	103	120	138	156	169	176	199	227	240	260	300	309	348	375			
Current cons. in A	2.03	2.08	2.15	2.27	2.36	2.41	2.59	2.81	2.91	3.06	3.35	3.41	3.67	3.84			
COP in W/W	0.43	0.59	0.76	0.93	1.05	1.10	1.26	1.41	1.47	1.54	1.64	1.66	1.72	1.75			



Accessories for	TF4CLX	Figure	Code number
Starting relay	1/4 in. spade connect.	a2	117U4148
Protector 3/4 in.	Texas Instruments		MRP36EN-6
Cover		b	117U1021
Start. capacitor 280 µF	1/4 in. spade connect.	c	117U5025
Cord relief		d	117U0349
Cord relief for capacitor		dc	117U0349

Test conditions	ASHRAE LBP	ASHRAE MBP	EN 12900/CECOMAF
Condensing temp.	130°F	130°F	113°F
Ambient temp.	90°F	95°F	90°F
Suction gas temp.	90°F	95°F	90°F
Liquid temperature	90°F	115°F	113°F

Mounting accessories	Code number
Bolt joint for one comp. Ø: 5/8 in.	118-1917
Bolt joint in quantities Ø: 5/8 in.	118-1918
Snap-on in quantities Ø: 5/8 in.	118-1919

Nidec GA Compressors accepts no responsibility for possible errors in catalogs, brochures, and other printed material. Nidec GA Compressors reserves the right to alter its products without notice. This also applies to products already on order provided that such alterations can be made without substantial changes being necessary to specifications already agreed. All trademarks in this material are the property of the respective companies. Secop and the Secop logotype are trademarks of Nidec Global Appliance Germany GmbH. All rights reserved. www.secop.com