

## TFS4.5FT Tropical Compressor R134a 220V 50Hz

### General

Code number	102G4433
Approvals	UL984
Compressors on pallet	125

### Application

Application	LBP/MBP					
	Hz	50	60			
Frequency	Hz	50	60			
Evaporating temperature	°F	-31 to 23	-			
Voltage range	V	176 - 242	-			
Max. condensing temperature continuous (short)	°F	140 (158)	-			
Max. winding temperature continuous (short)	°F	257 (275)	-			

### Cooling requirements

Frequency	Hz	50			60		
		LBP	MBP	HBP	LBP	MBP	HBP
90°F		S	S	-	-	-	-
100°F		S	S	-	-	-	-
110°F		S	S	-	-	-	-
Remarks on application:							

### Motor

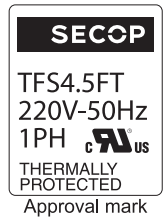
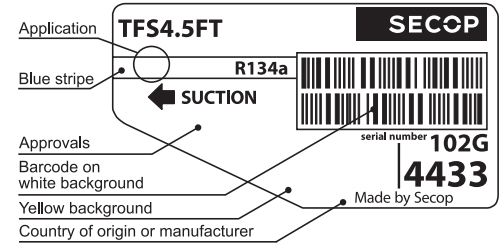
Motor type	RSIR/CSIR		
LRA (rated after 4 sec. UL984), HST   LST	A	8.0	10.3
Cut in Current, HST   LST	A	8.0	10.8
Resistance, main   start winding (77°F)	Ω	13.1	36.0

### Design

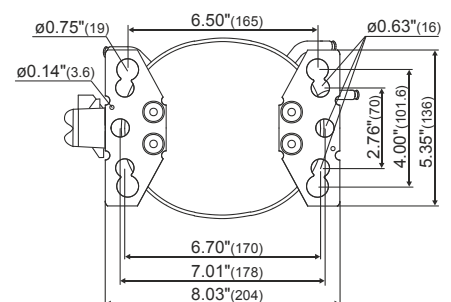
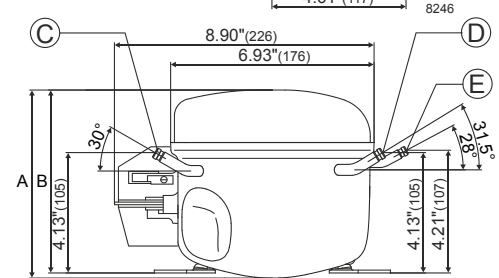
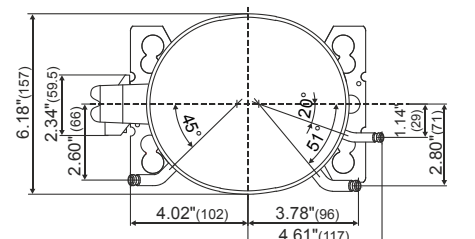
Displacement	cu.in	0.29
Oil quantity (type)	fl.oz.	6.1 (polyolester)
Maximum refrigerant charge	oz.	14.0
Free gas volume in compressor	fl.oz.	57.3
Weight without electrical equipment	lbs.	14.9

### Dimensions

Height	inch	A	6.81
		B	6.65
		B1	-
		B2	-
Suction connector	location, I.D. in.   angle	C	0.252-0.259   30°
	material   comment		Cu-plated steel   Rubber plug
Process connector	location, I.D. in.   angle	D	0.252-0.259   31.5°
	material   comment		Cu-plated steel   Rubber plug
Discharge connector	location, I.D. in.   angle	E	0.202-0.205   28°
	material   comment		Cu-plated steel   Rubber plug
Oil cooler connector	location, I.D. in.   angle	F	-
	material   comment		-
Remarks:			



- S = Static cooling normally sufficient
- O = Oil cooling
- F<sub>1</sub> = Fan cooling 1.5 m/s (compressor compartment temperature equal to ambient temperature)
- F<sub>2</sub> = Fan cooling 3.0 m/s necessary
- SG = Suction gas cooling normally sufficient
- = not applicable in this area



**ASHRAE LBP**

220V, 50Hz, static cooling

Evap. temp. in °F	-49	-40	-30	-20	-13	-10	0	10	14	20	30	40	41	45	50	59	68
Capacity in BTU/h			199	296	379	418	569	754	839	977							
Power cons. in W			88	99	107	111	125	140	146	156							
Current cons. in A			0.95	0.97	0.99	1.00	1.03	1.07	1.09	1.12							
EER in BTU/Wh			2.27	2.99	3.52	3.75	4.55	5.38	5.73	6.27							

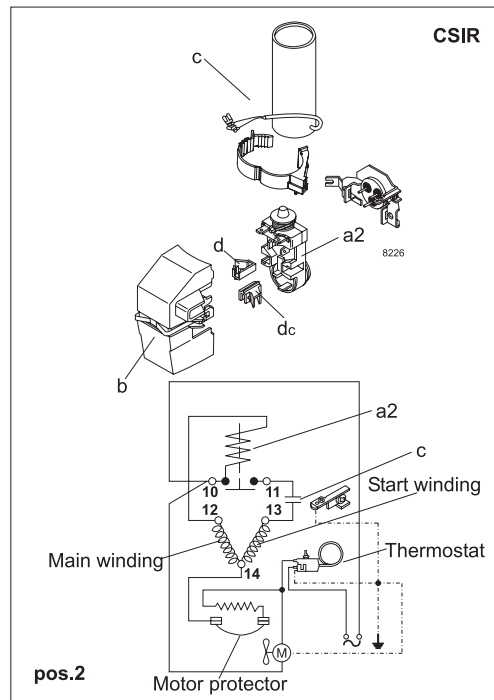
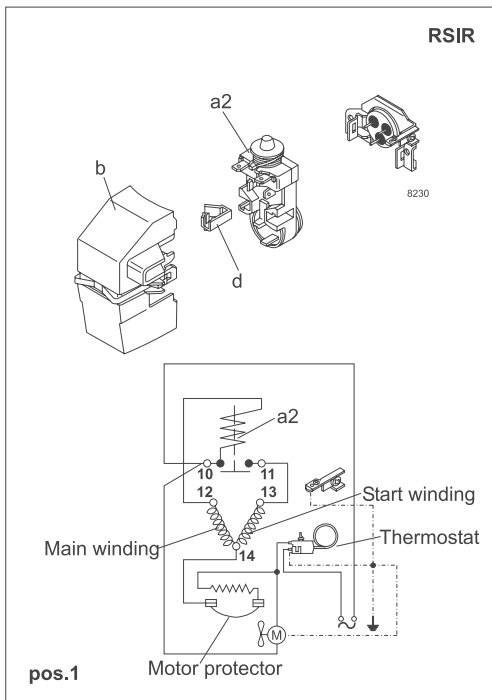
**ASHRAE MBP**

220V, 50Hz, static cooling

Evap. temp. in °F	-49	-40	-30	-20	-13	-10	0	10	14	20	30	40	41	45	50	59	68
Capacity in BTU/h			178	265	338	373	508	673	748	871							
Power cons. in W			85	97	106	110	124	139	145	155							
Current cons. in A			0.95	0.97	0.99	1.00	1.03	1.07	1.09	1.12							
EER in BTU/Wh			2.09	2.73	3.20	3.40	4.10	4.84	5.15	5.63							

**EN 12900 Household (CECOMAF)** 220V, 50Hz, static cooling

Evap. temp. in °F	-49	-40	-30	-20	-13	-10	0	10	14	20	30	40	41	45	50	59	68
Capacity in W			48	71	91	100	136	180	200	233							
Power cons. in W			88	99	107	111	125	140	146	156							
Current cons. in A			0.95	0.97	0.99	1.00	1.03	1.07	1.09	1.12							
COP in W/W			0.54	0.72	0.84	0.90	1.09	1.29	1.37	1.50							



Accessories for	TFS4.5FT	Figure	Code number
Starting relay	1/4 in. spade connect.	a2	117U4103
Protector 3/4 in.	Texas Instruments	(pos.1)	MRP77HL-6
Starting relay	1/4 in. spade connect.	a2	117U4147
Protector 3/4 in.	Texas Instruments	(pos.2)	MRP77HL-6
Cover		b	117U1023
Start. capacitor 80 µF	1/4 in. spade connect.	c	117U5015
Cord relief		d	117U0349
Cord relief capacitor		dc	117U0349

Test conditions	ASHRAE LBP	ASHRAE MBP	EN 12900/CECOMAF
Condensing temp.	130°F	130°F	131°F
Ambient temp.	90°F	95°F	90°F
Suction gas temp.	90°F	95°F	90°F
Liquid temperature	90°F	95°F	131°F

Mounting accessories	Code number	
Bolt joint for one comp.	Ø: 5/8 in.	118-1917
Bolt joint in quantities	Ø: 5/8 in.	118-1918
Snap-on in quantities	Ø: 5/8 in.	118-1919

Secop accepts no responsibility for possible errors in catalogs, brochures, and other printed material. Secop reserves the right to alter its products without notice. This also applies to products already on order provided that such alterations can be made without consequential changes being necessary to specifications already agreed. All trademarks in this material are the property of the respective companies. Secop and the Secop logotype are trademarks of Secop GmbH. All rights reserved. [www.secop.com](http://www.secop.com)